

TT100

Service Information

Laney
Classic British Amplification

Newlyn Road, Cradley Heath, West Midlands. B64 6BE
www.laney.co.uk

TT100

Service Information

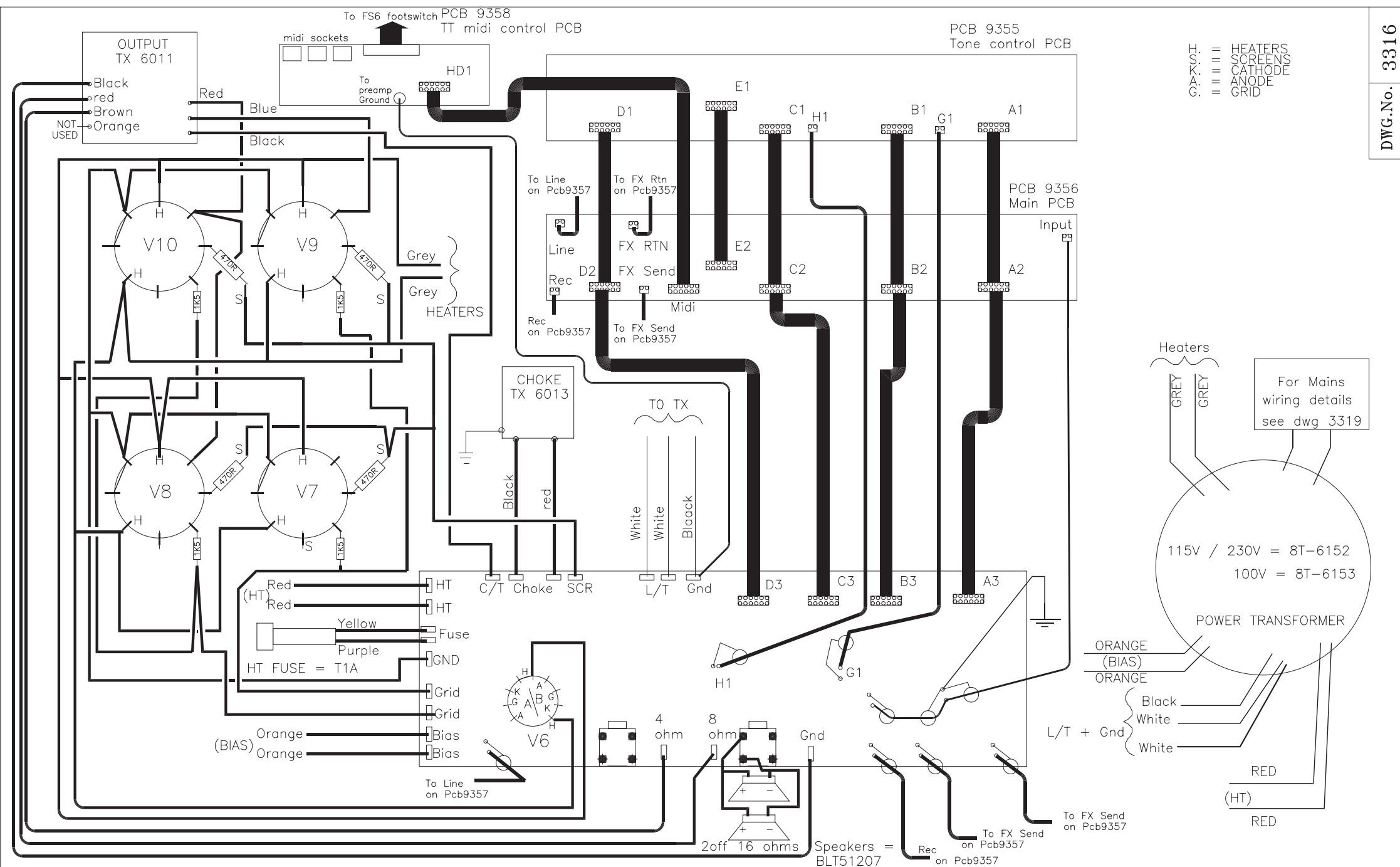
Contents

- 1. Contents**
- 2. TT100 combo Schematic drawing**
- 3. TT100 combo Mains wiring**
- 4. Tone Control Pcb - 9355 issue 3**
- 5. Tone Control Pcb - 9355 issue 4**
- 6. Main Preamp Pcb - 9356 issue 3**
- 7. Main preamp Pcb - 9356 issue 4**
- 8. Tube Pcb - 9357 issue 3**
- 9. Tube Pcb - 9357 issue 4**
- 10. TT midi Pcb - 9358 issue 4**

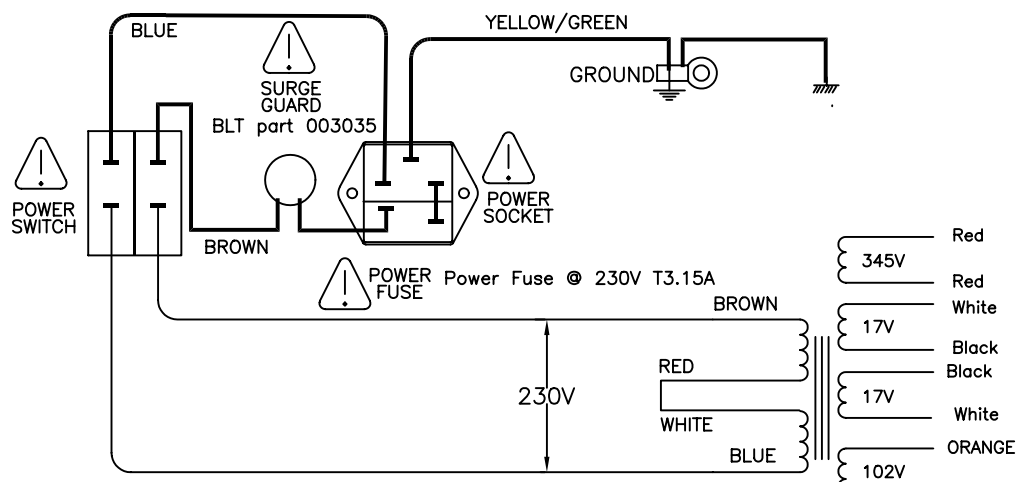
Laney

Classic British Amplification

Newlyn Road, Cradley Heath, West Midlands. B64 6BE
www.laney.co.uk

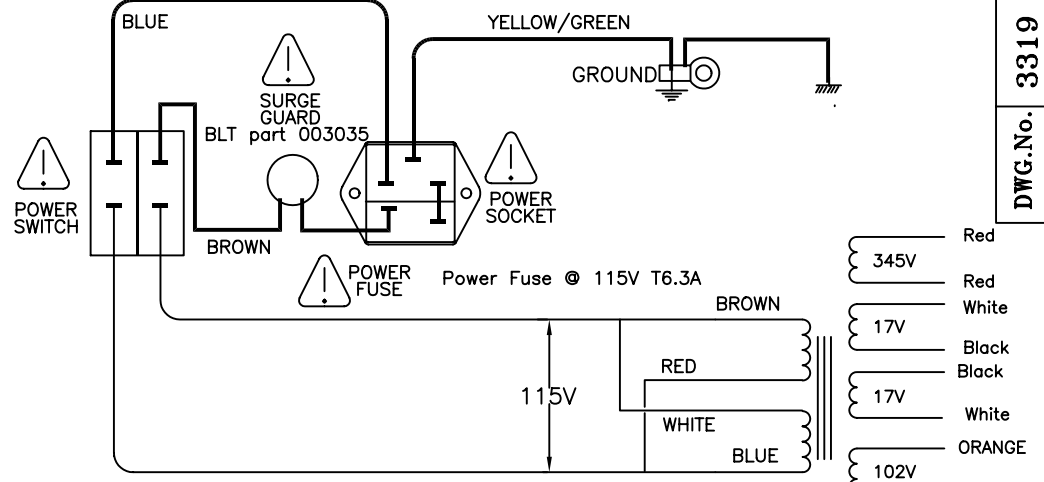


ISSUE	DESCRIPTION	APPD.	DATE	TITLE	DRAWN	TRACED	CHECKED	APPROVED	DATE
				TT100 (combo) Schematic Diagram	R.J.F				25/4/2
					DRAWING No.		3316		
<p>BLT Industries Ltd.</p>					<p>PART No</p>				



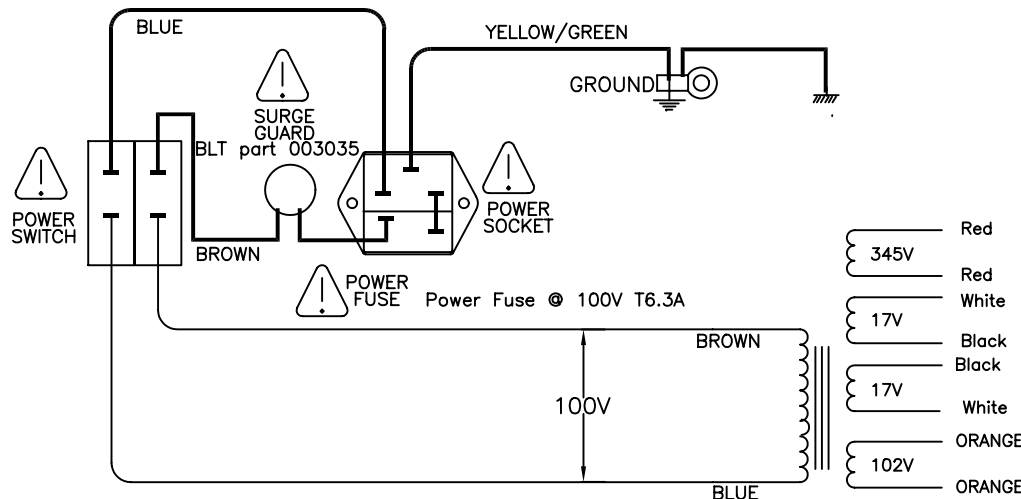
TX6152 Wiring Information for 230V operation

POWER TRANSFORMER



TX6152 Wiring Information for 115V operation

POWER TRANSFORMER

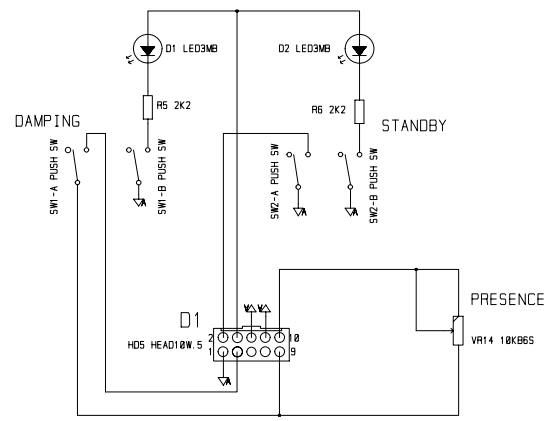
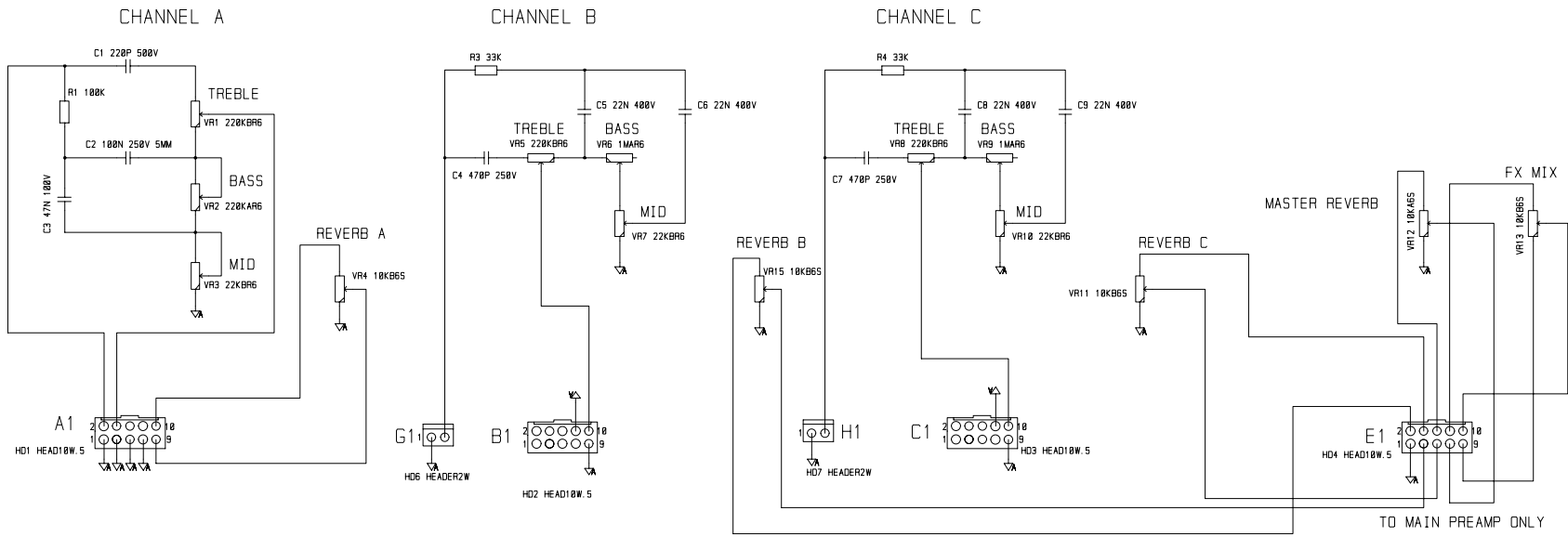


TX6153 Wiring Information for 100V operation

POWER TRANSFORMER

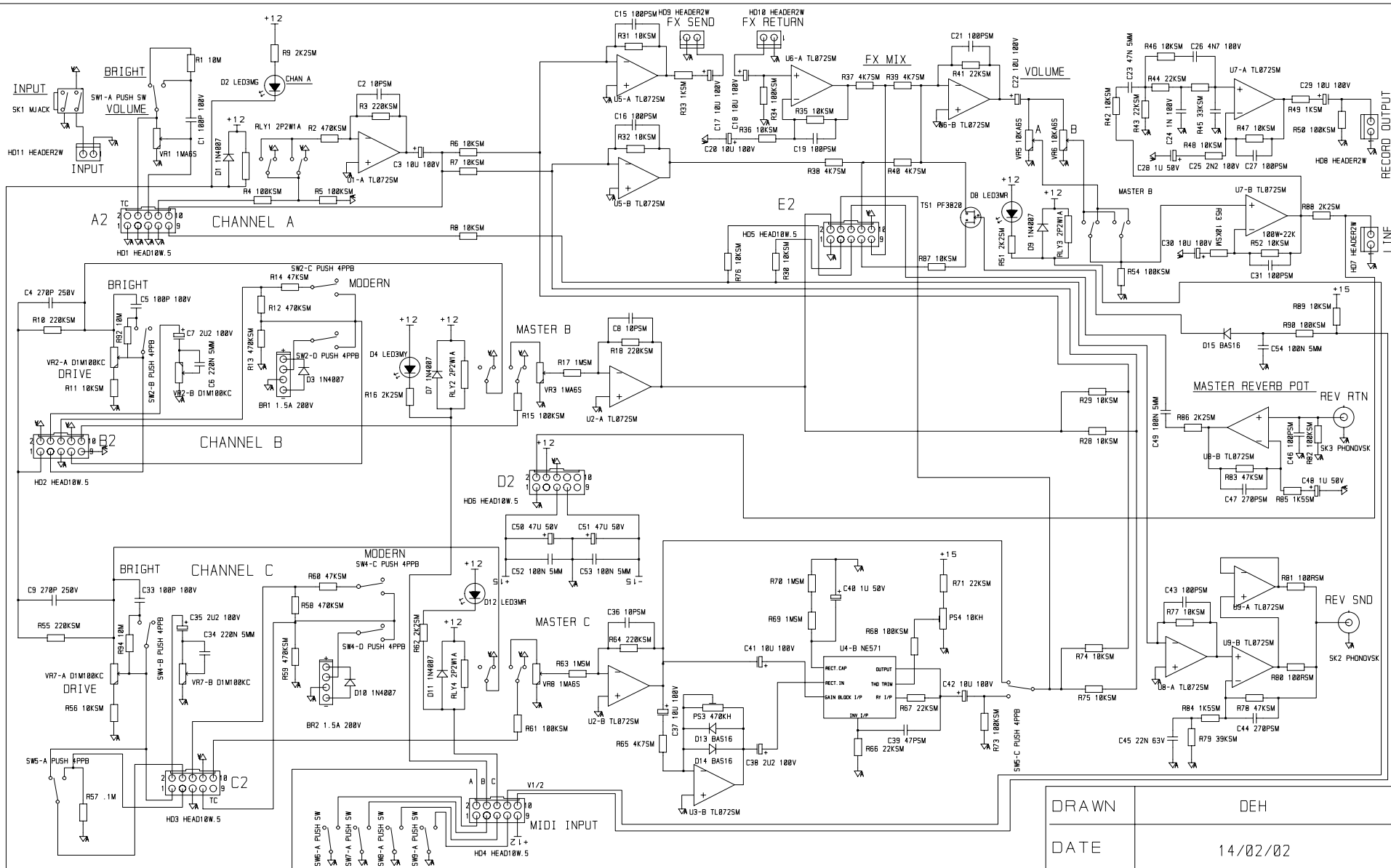
⚠ = ONLY REPLACE WITH SAME TYPE AND RATING

ISSUE	DESCRIPTION	APPD.	DATE	TITLE	DRAWN	TRACED	CHECKED	APPROVED	DATE
				BLT Industries Ltd. MAINS WIRING FOR TT100 combo and TT100H PART No	R.J.F				29/04/02
					DRAWING No.		3319		



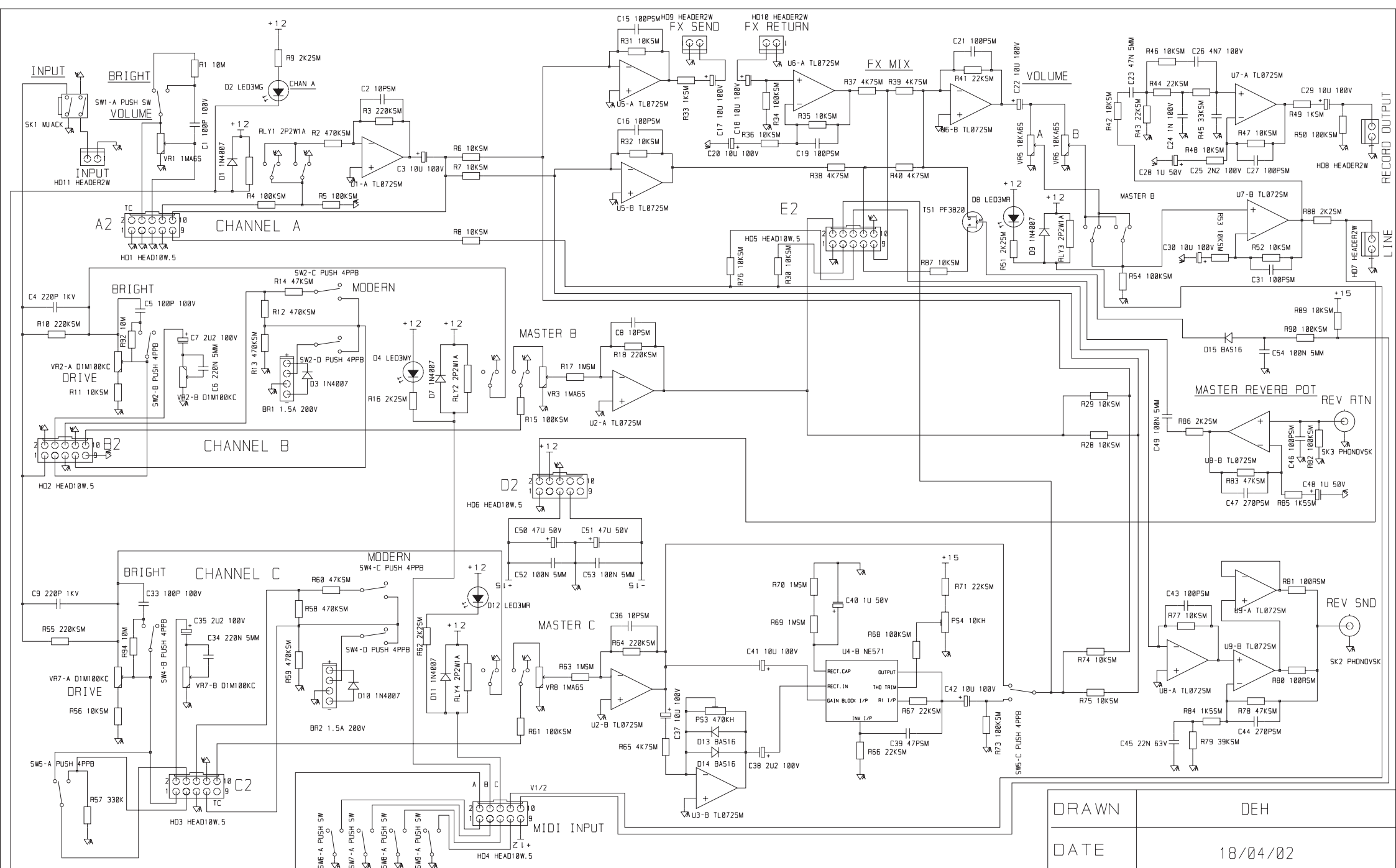
DRAWN	DEH
DATE	13/02/02
TITLE	TT50/100 TONE CONTROLS
DRW. NO.	9355_3

ISSUE							
TYPE							



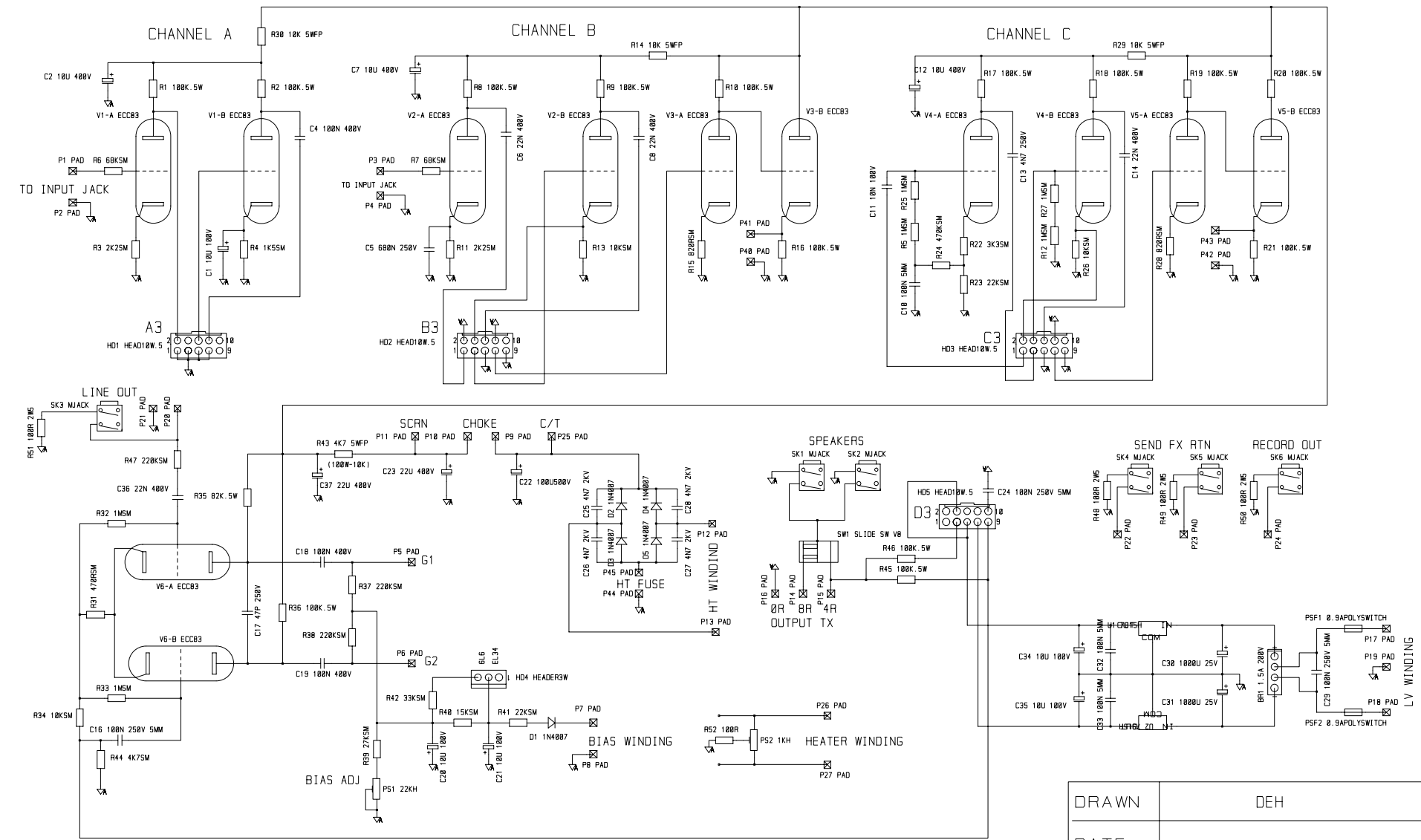
DRAWN	DEH
DATE	14/02/02
TITLE	TT50/100 MAIN PREAMP
DRW. NO.	9356.13

ISSUE	
TYPE	



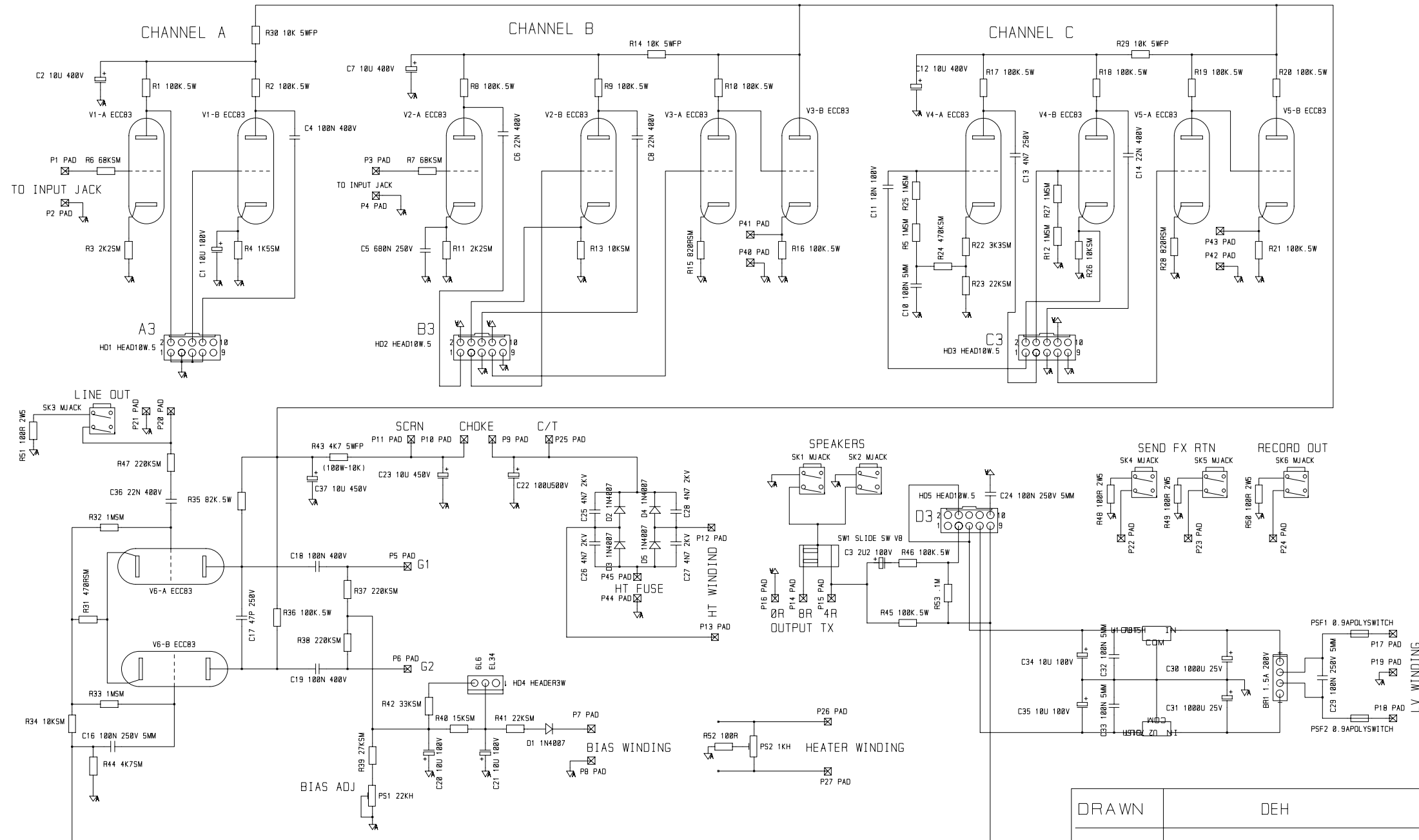
DRAWN	DEH
DATE	18/04/02
TITLE	TT50/100 MAIN PREAMP
DRW. NO.	9356_4

ISSUE	
TYPE	

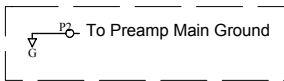
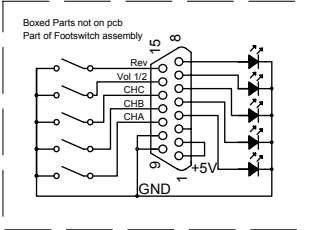
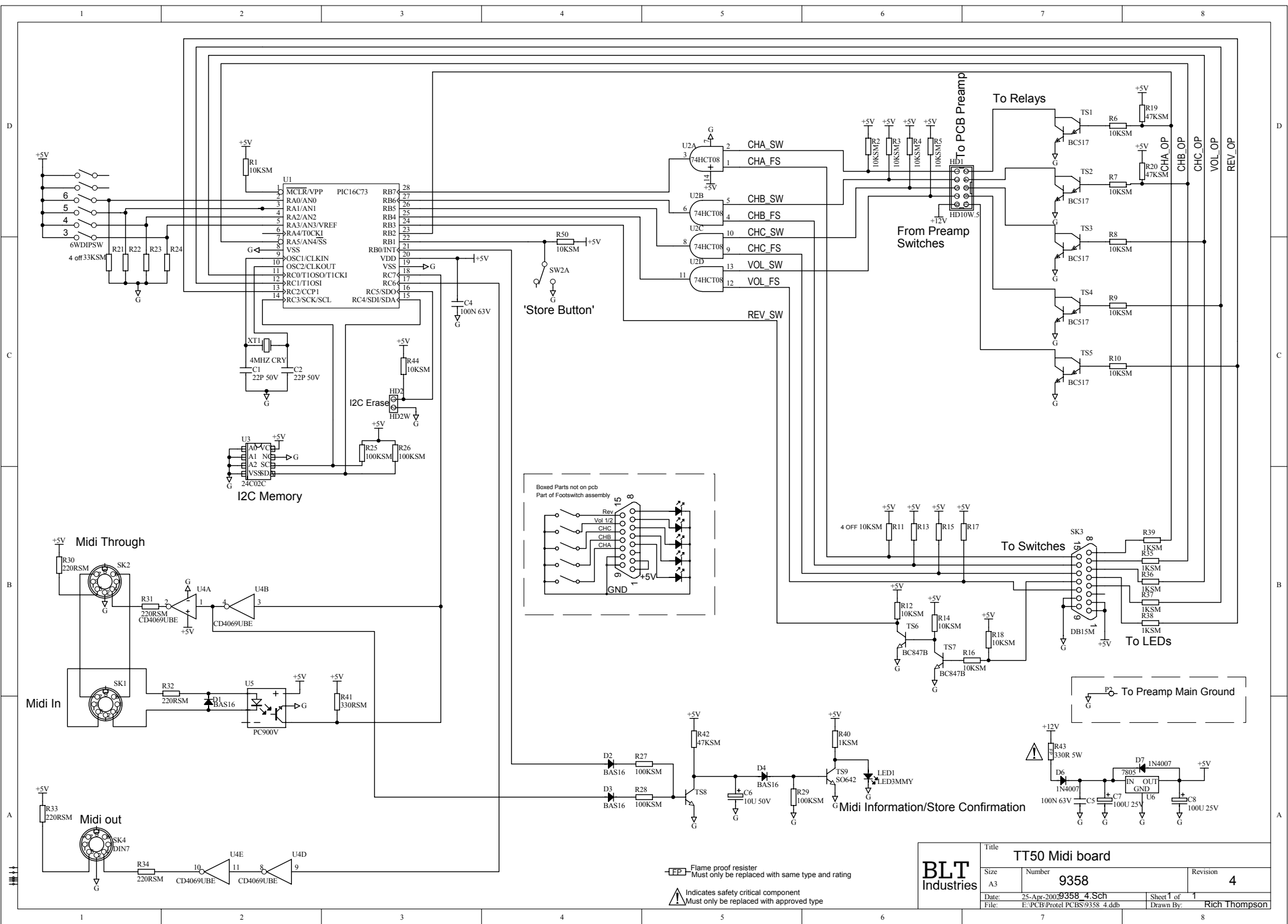


DRAWN	DEH
DATE	13/02/02
TITLE	TT50 MAIN BOARD
DRW. NO.	9357_3

ISSUE	
TYPE	



DRAWN	DEH
DATE	19/04/02
TITLE	TT50 MAIN BOARD
DRW. NO.	9357_4



Flame proof resistor
 Must only be replaced with same type and rating
 Indicates safety critical component
 Must only be replaced with approved type

Title		TT50 Midi board	
Size	Number	Revision	
A3	9358		4
Date:	25-Apr-2002 9358 4.Sch	Sheet 1 of 1	
File:	E:\PCB\Protel\PCBS\9358 4.ddb	Drawn By:	Rich Thompson