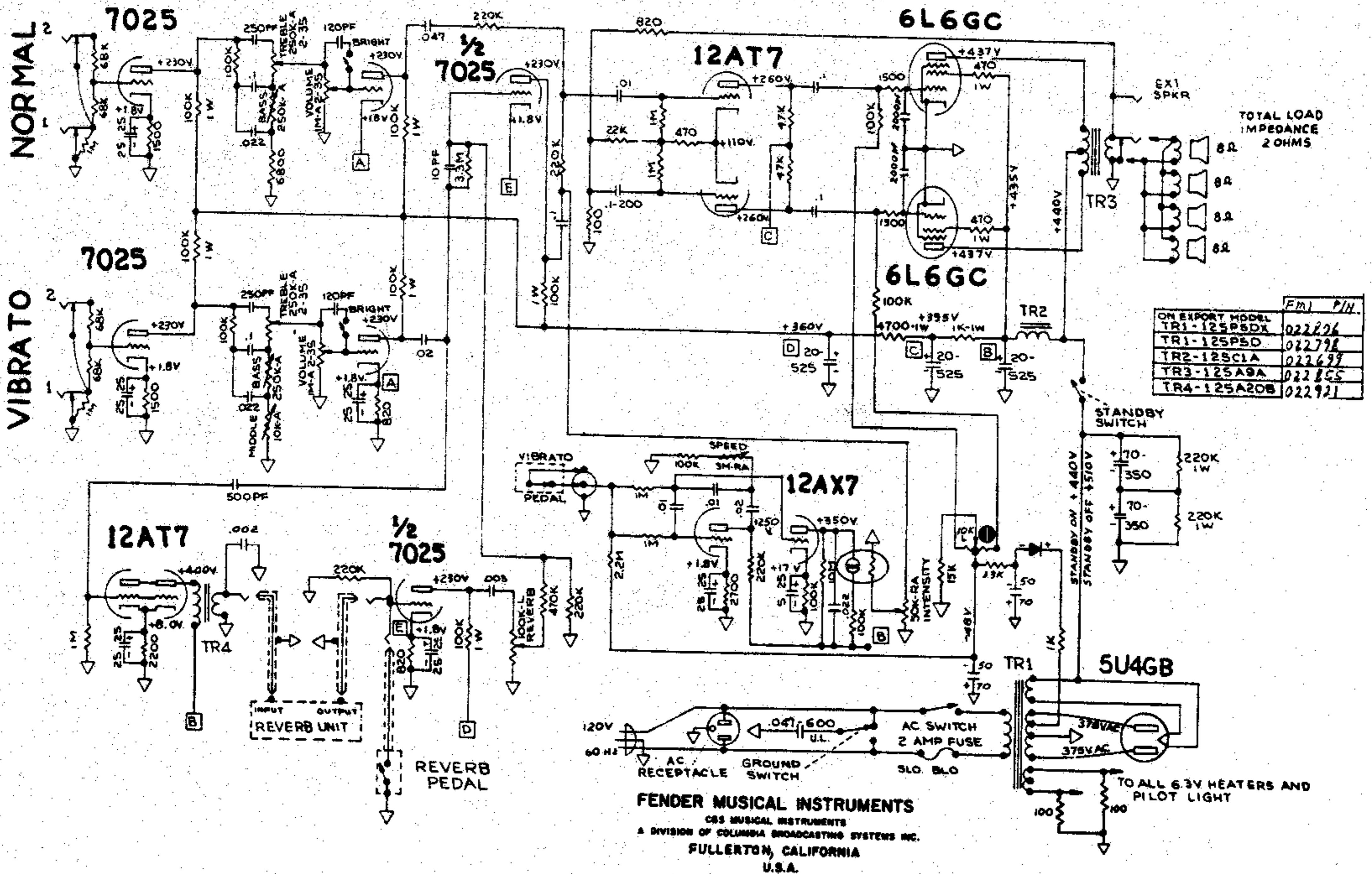


MODEL SUPER-REVERB-AMP AA270 SCHEMATIC NOTICE

THIS PRODUCT MANUFACTURED UNDER ONE OR MORE OF THE FOLLOWING U.S. PATENTS: CIRCUIT PATENT #2817708, #2973681 DESIGN PATENT #192859 PATENTS PENDING

- 1 - VOLTAGES READ TO GROUND WITH ELECTRONIC VOLTMETER
- 2 - ALL RESISTORS 1/2 WATT 10% TOLERANCE IF NOT SPECIFIED
- 3 - ALL CAPACITORS AT LEAST 400 VOLT RATING IF NOT SPECIFIED
- 4 - ALL VOLTAGES READ WITH VIBRATO PEDAL GROUNDING AND NO INPUT SIGNAL



	FMJ	PH
ON EXPORT MODEL		
TR1-125P5DX	022276	
TR2-125P5D	022798	
TR3-125A9A	022697	
TR4-125A20B	022855	

FENDER MUSICAL INSTRUMENTS
 CBS MUSICAL INSTRUMENTS
 A DIVISION OF COLUMBIA BROADCASTING SYSTEMS INC.
 FULLERTON, CALIFORNIA
 U.S.A.

DRAWN F.T. 10-13-69 APPROVAL S. J. 10-13-69	DWG. TITLE SCHEMATIC & WIRING DIAGRAM SUPER REVERB-AMP
E INCORPORATED ECO 2053 8-18-70 D INCORPORATED ECO 1489 10-13-69 C INCORPORATED ECO 1428 11-1-69 B INCORPORATED ECO 1048 5-28-69 REVISION 1	SIZE DWG. NO. D 047746 SCALE NONE MODEL TUBE TYPE SUPER REVERB AMP SHEET 1 OF 2

AMPLIFIER TT