

FENDER "PRO-REVERB-AMP AA165" SCHEMATIC

NOTICE

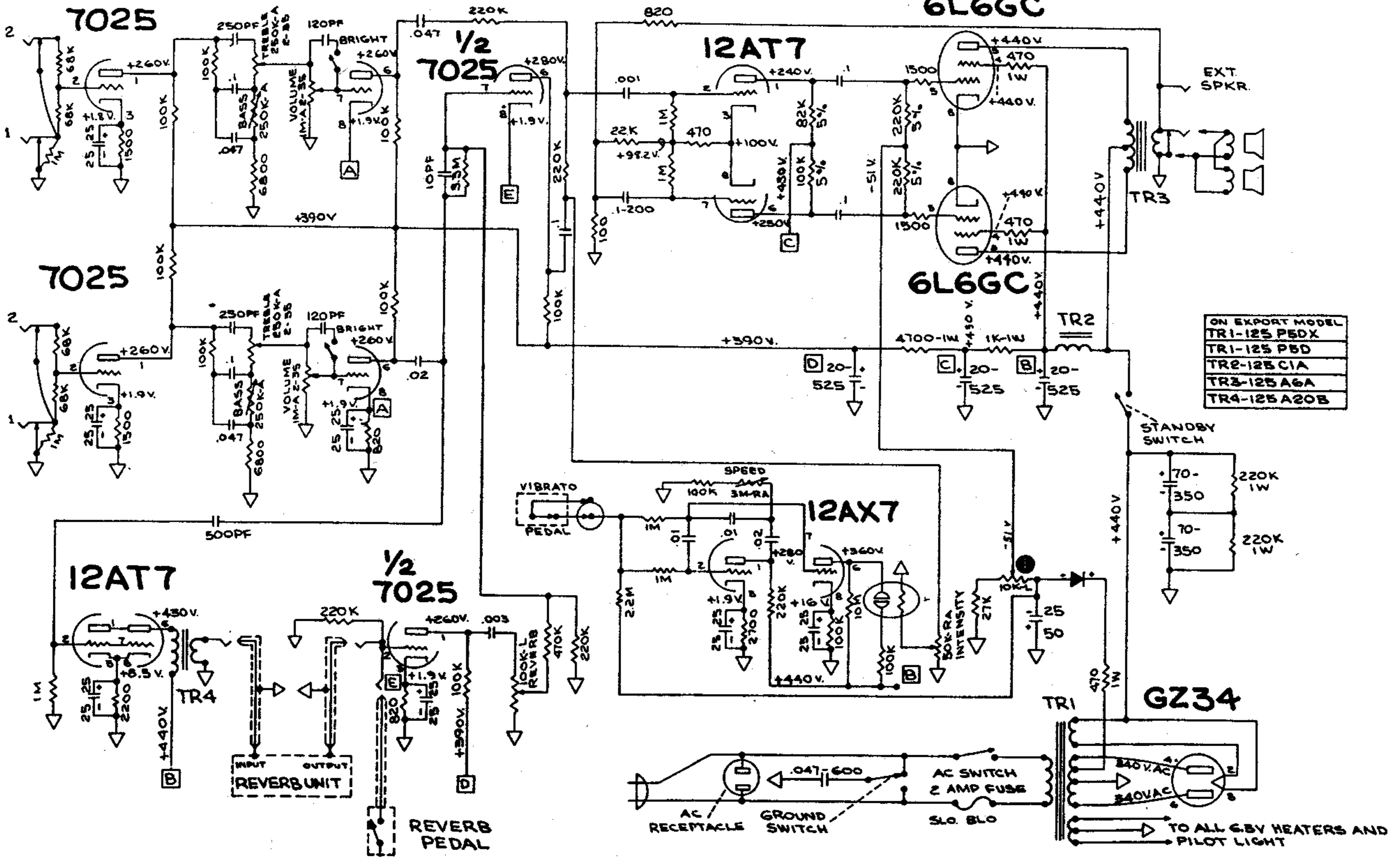
THIS PRODUCT MANUFACTURED UNDER ONE OR MORE OF THE FOLLOWING U.S. PATENTS -
 CIRCUIT PATENT # 2817708, # 2973481
 DESIGN PATENT # 192858
 & PATENTS PENDING

D-FE

1. VOLTAGES READ TO GROUND WITH ELECTRONIC VOLTMETER VALUES SHOWN + OR - 20%.
2. ALL RESISTORS 1/2 WATT 10% TOLERANCE IF NOT SPECIFIED.
3. ALL CAPACITORS AT LEAST 400 VOLT RATING IF NOT SPECIFIED.

NORMAL

VIBRATO



ON EXPORT MODEL
TR1-125 P5DX
TR1-125 P5D
TR2-125 C1A
TR3-125 A6A
TR4-125 A20B

GZ34



TO ALL 6.3V HEATERS AND PILOT LIGHT