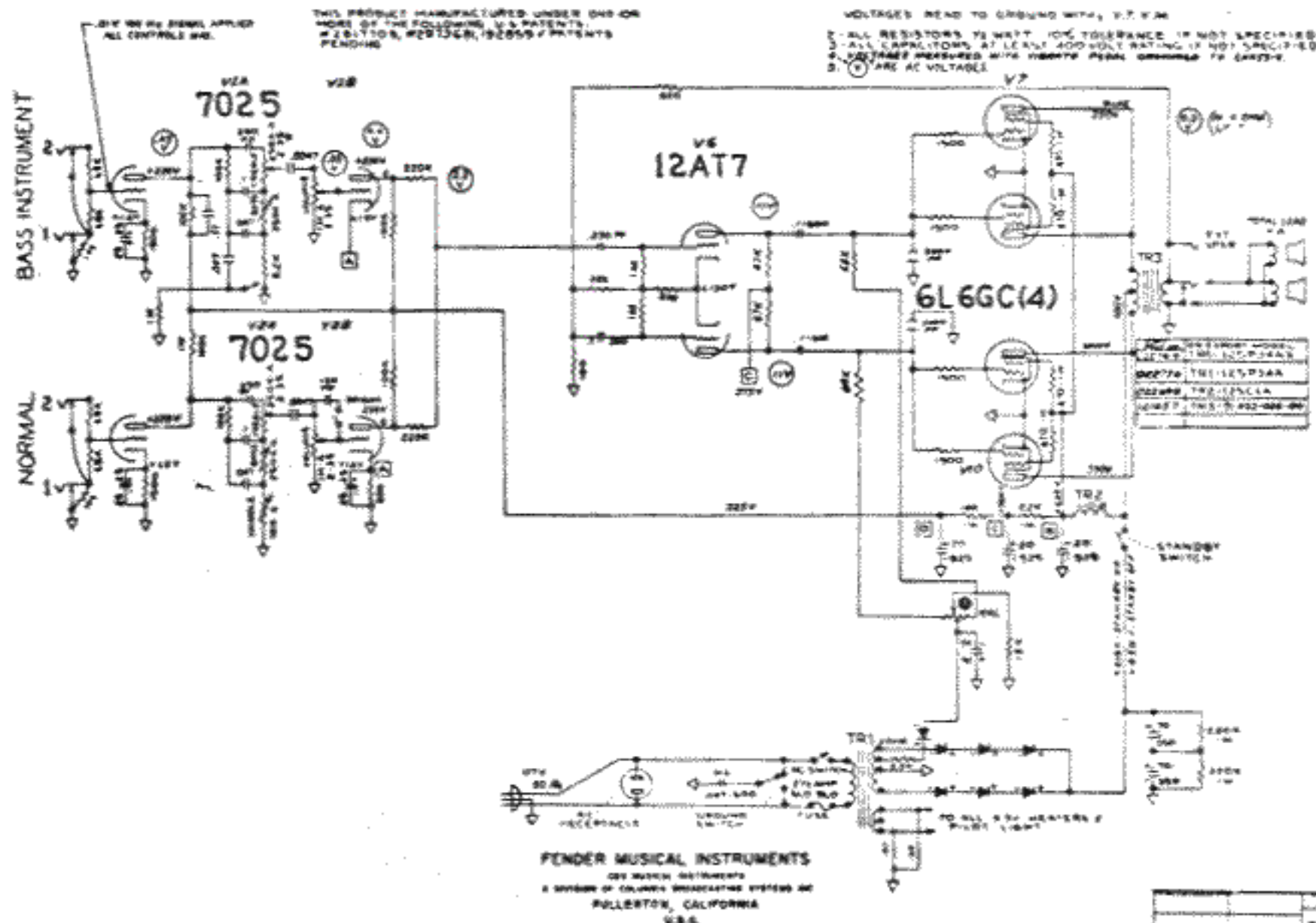


FENDER MODEL "SUPER BASSMAN-AMP CFA7002" SCHEMATIC NOTICE



FENDER MUSICAL INSTRUMENTS
1220 SOUTH GASTAVEN
A DIVISION OF COLUMBIA BROADCASTING SYSTEM INC.
FULLERTON, CALIFORNIA
U.S.A.

PARTS LIST		QUANTITY SPECIFIED		REMARKS	
RESISTORS	100	100	100		
CAPACITORS	100	100	100		
TUBES	100	100	100		
TRANSFORMERS	100	100	100		
SWITCHES	100	100	100		
CONNECTORS	100	100	100		
WIRING	100	100	100		
OTHER	100	100	100		
TOTAL	100	100	100		

CBS MUSICAL INSTRUMENTS
 FULLERTON, CALIFORNIA
 SCHEMATIC
 SUPER BASSMAN-AMP
 TUBE TYPE (PARTS)
 NO. 121702
 D 121702
 1/27/63
 1 AMP/100