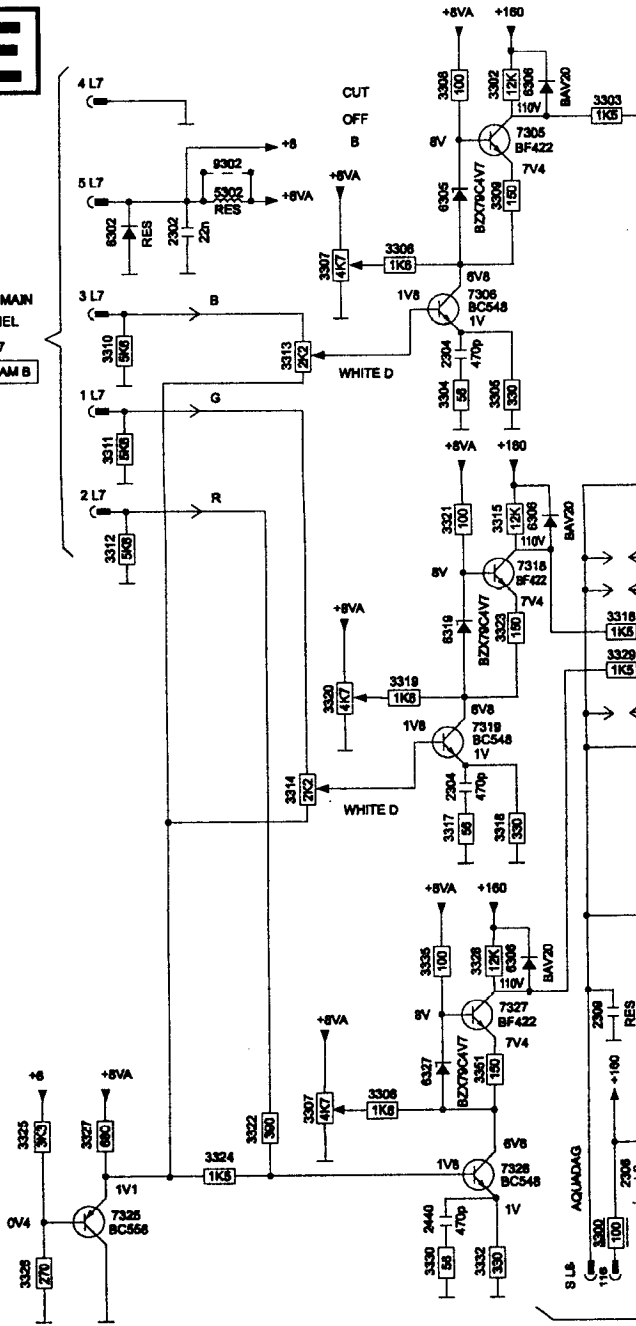
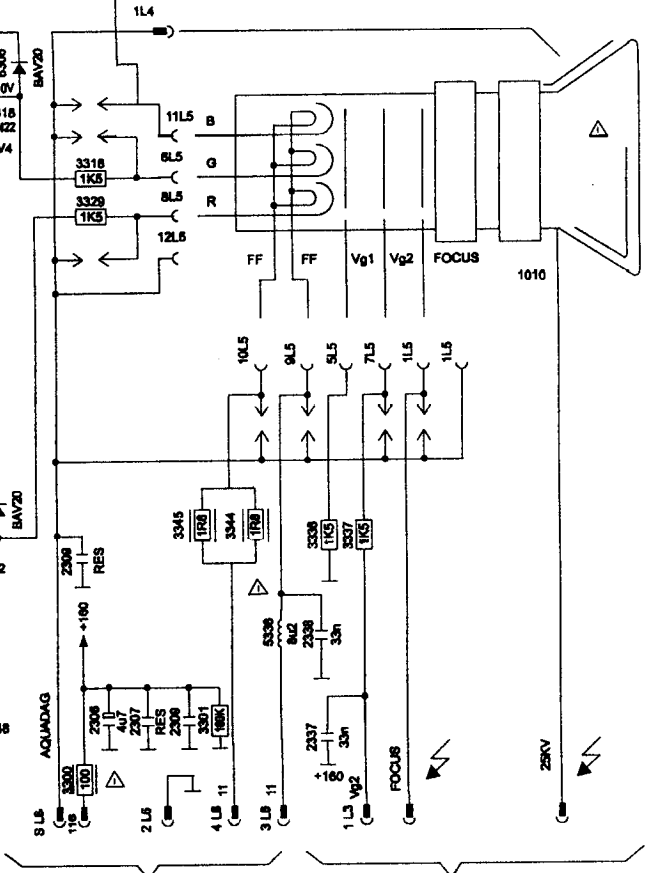
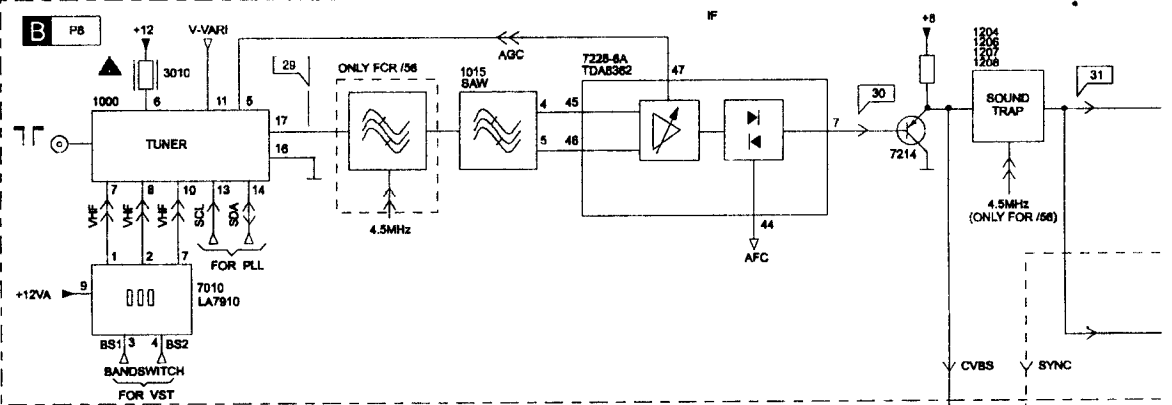
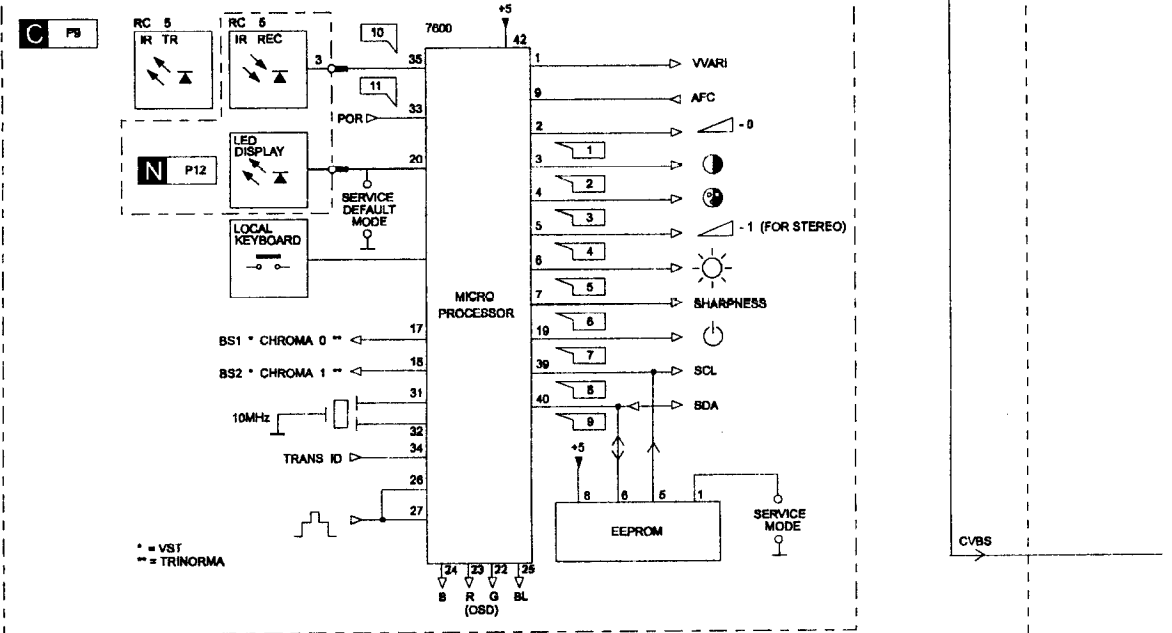


EFROM MAIN
PANEL
M7
DIAGRAM BFROM MAIN
PANEL
M6
DIAGRAM A3122.227.15430 MINI-NECK
3122.227.15700 NARROW-NECKFROM MAIN
PANEL
(LDI)
DIAGRAM A

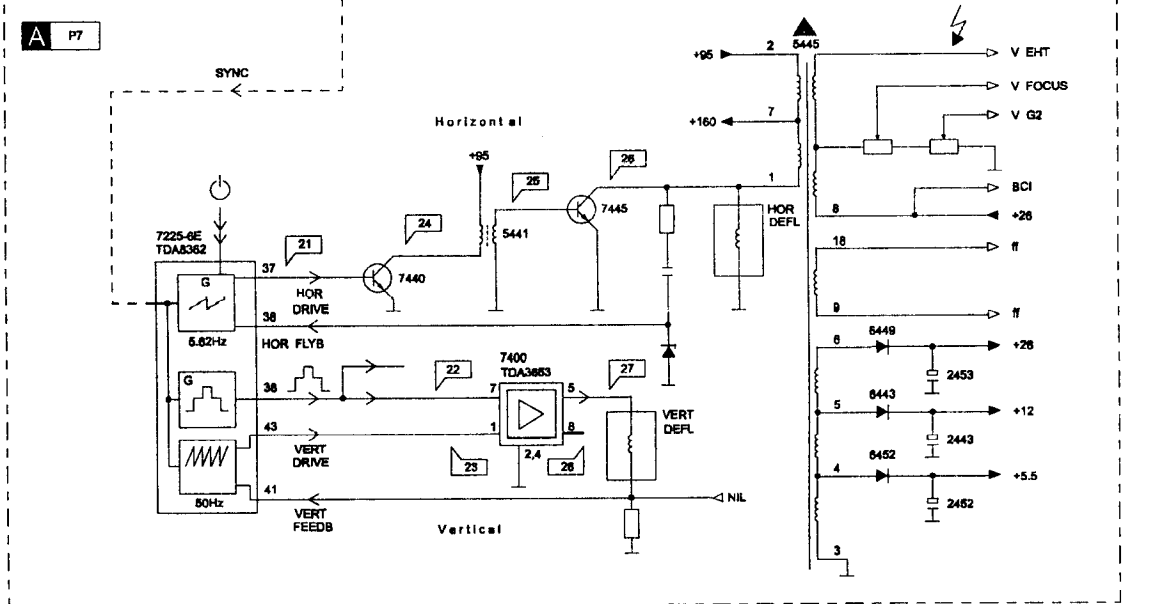
VIDEO

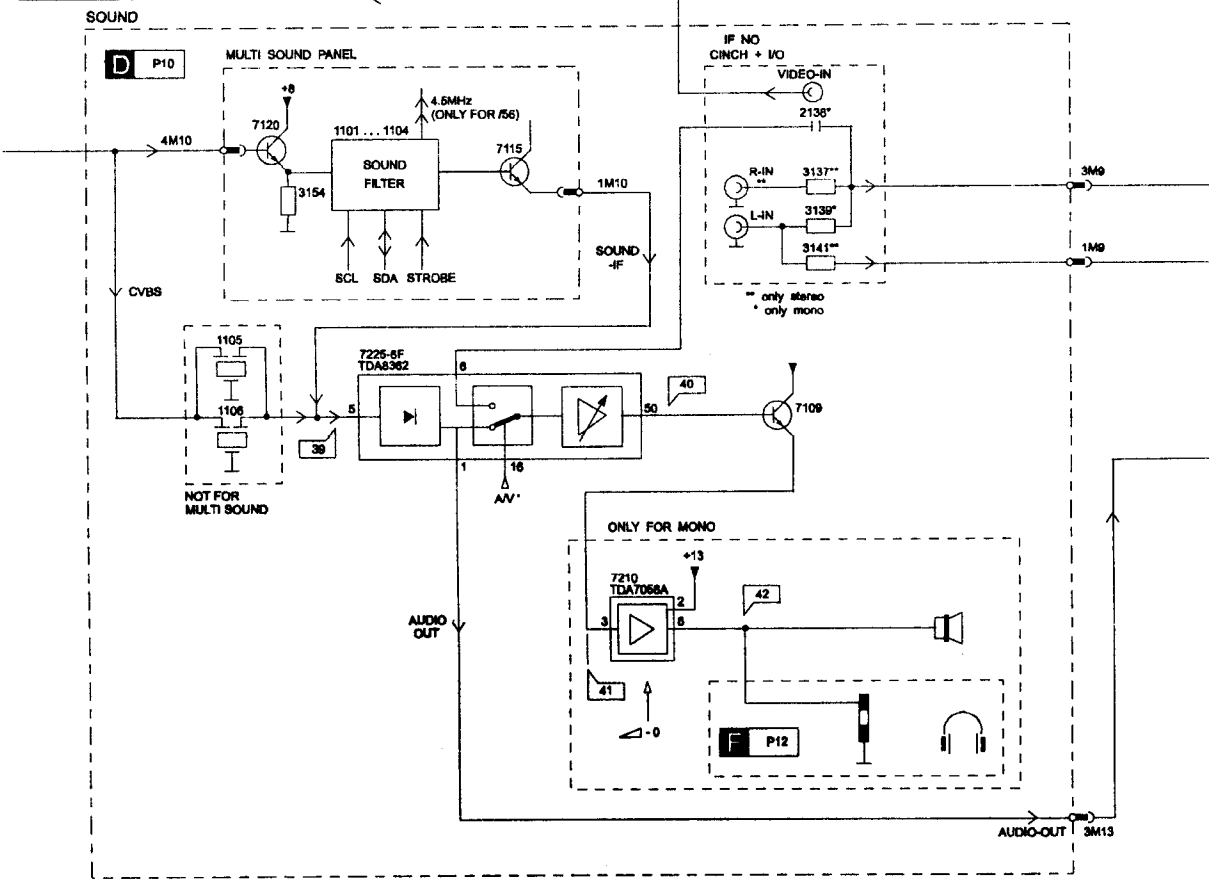
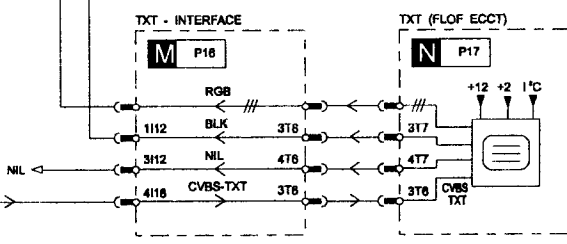
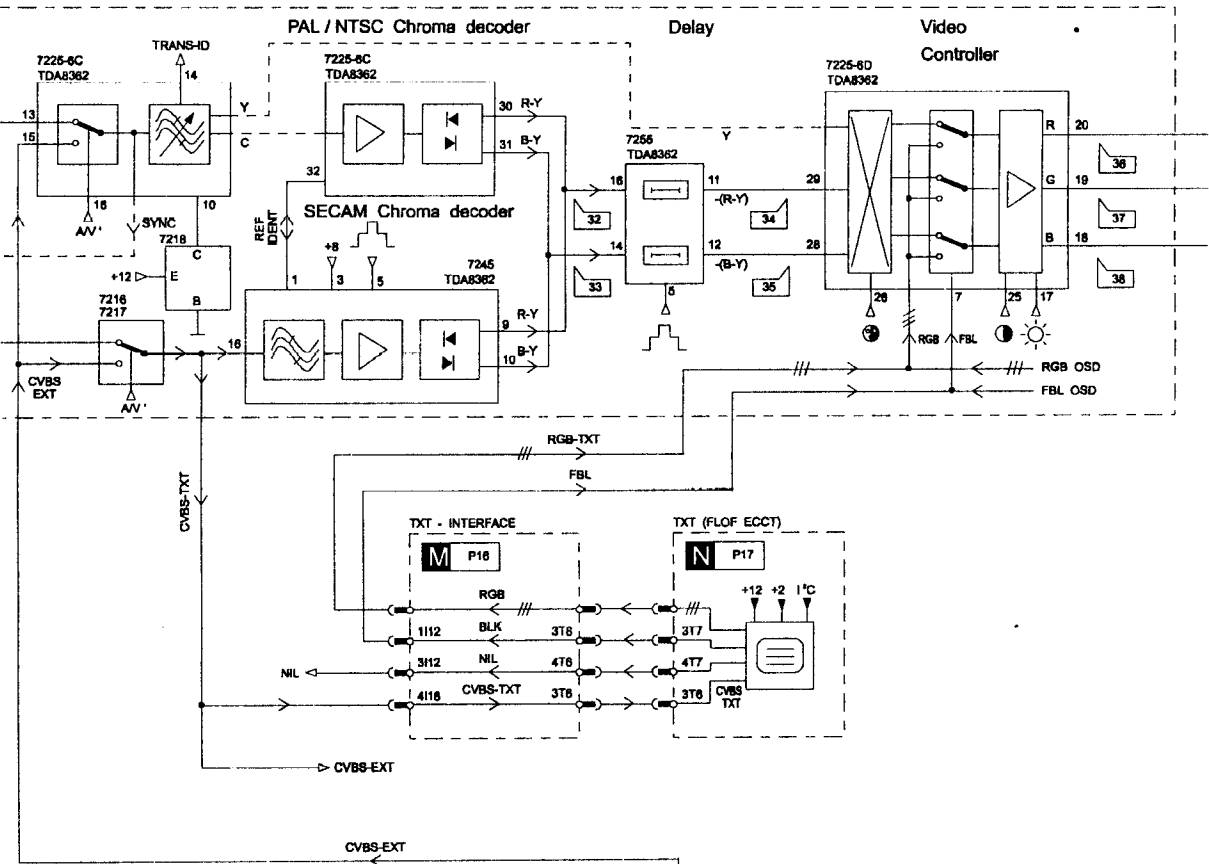


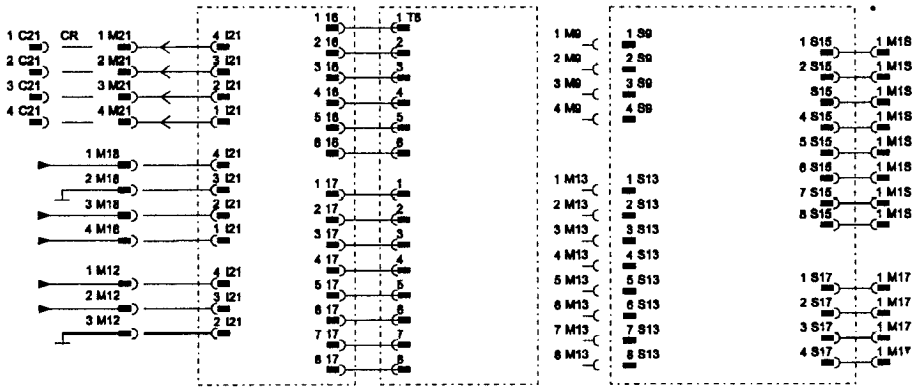
CONTROL



SYNC & DEFLECTION

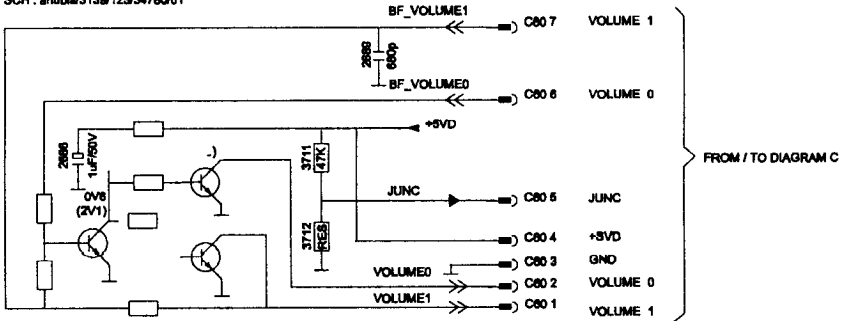






VOLUME CONTROL PANEL

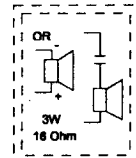
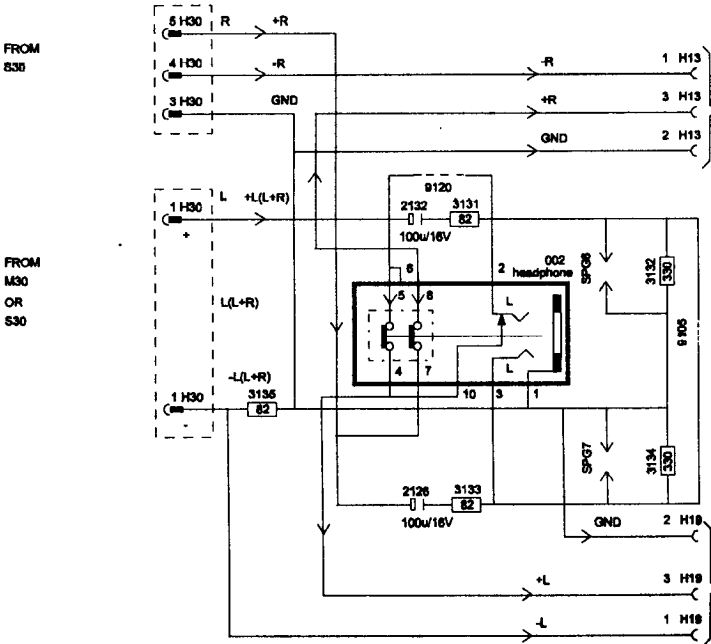
SCH : anubia/3139/123/34780/01



.V. = SOUND
(.V.) = MUTE

HEADPHONE PANEL

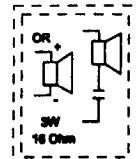
SCH : anubia/3139/123/34780/01



STEREO (R)

INTERNAL LOUDSPEAKERS

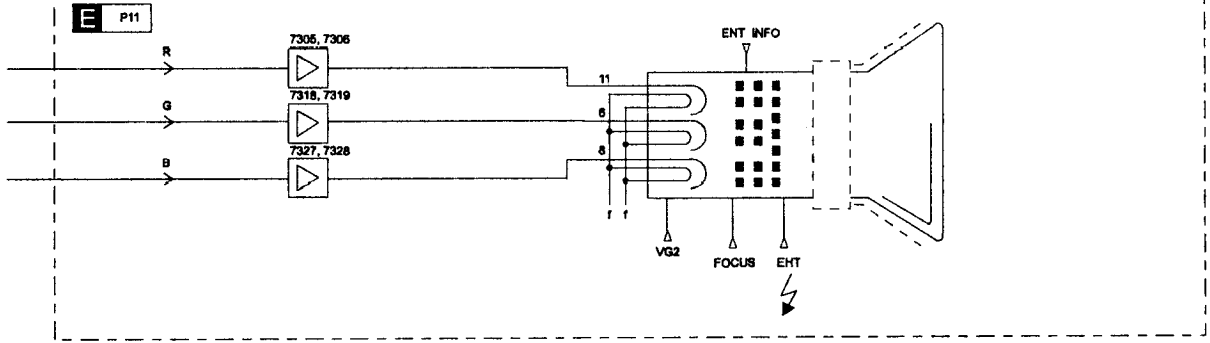
| | MONO | STEREO |
|------|------|----------|
| 2125 | - | 100u/16V |
| 2126 | - | 100u/16V |
| 3131 | - | 82 |
| 3132 | 66 | 330 |
| 3133 | - | 82 |
| 3134 | - | 330 |
| 3135 | 82 | - |
| 9105 | JMP | - |
| 9110 | JMP | - |
| X13 | - | WTB |
| X14 | WTB | WTB |



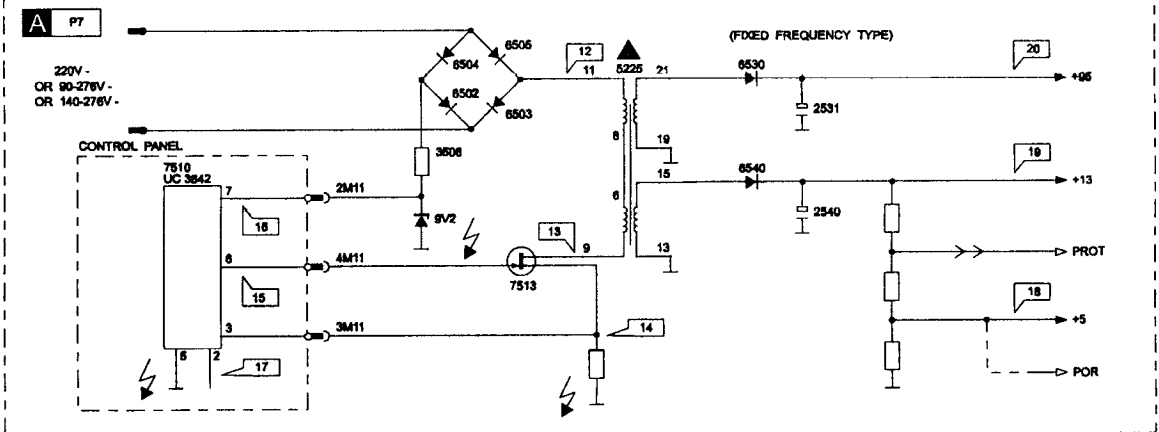
MONO (L+R)
STEREO (L)

INTERNAL LOUDSPEAKERS

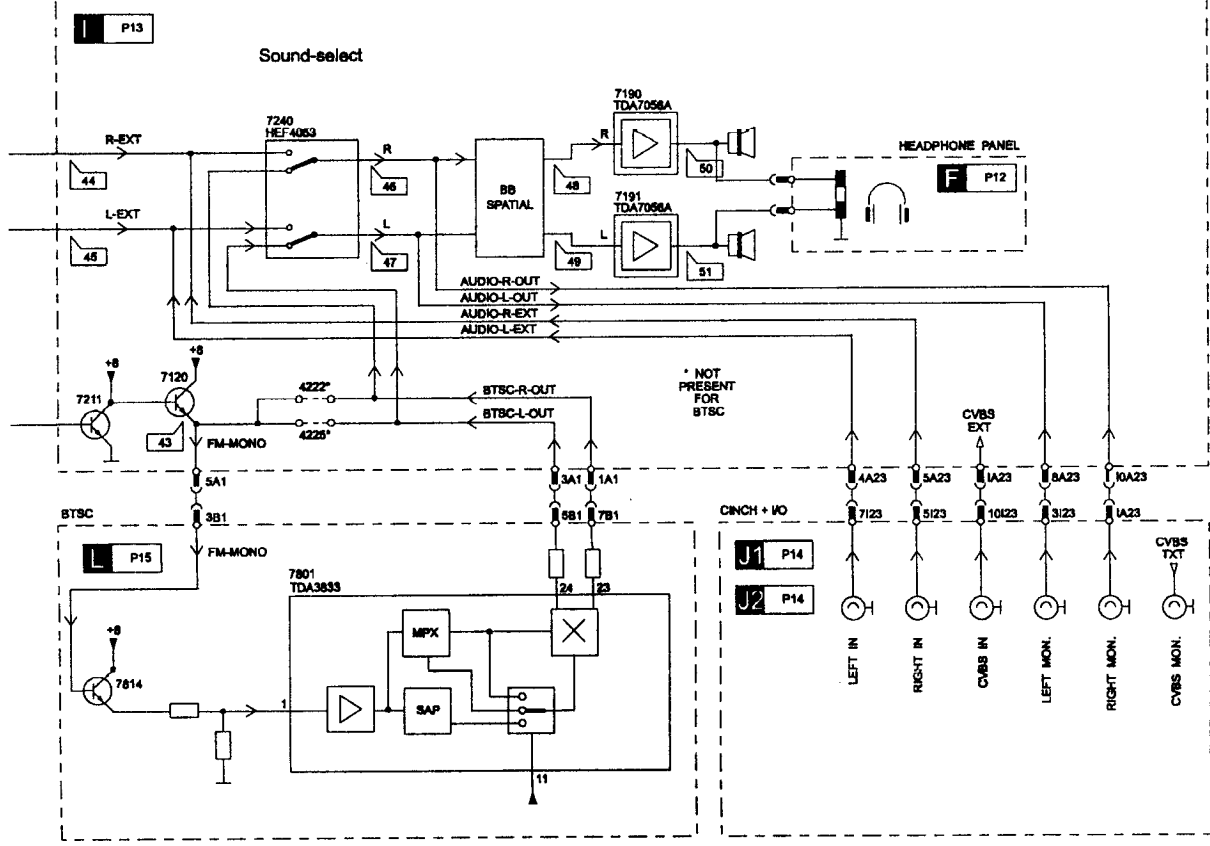
CRT



POWER SUPPLY



INTERFACE + AMPLIFIER

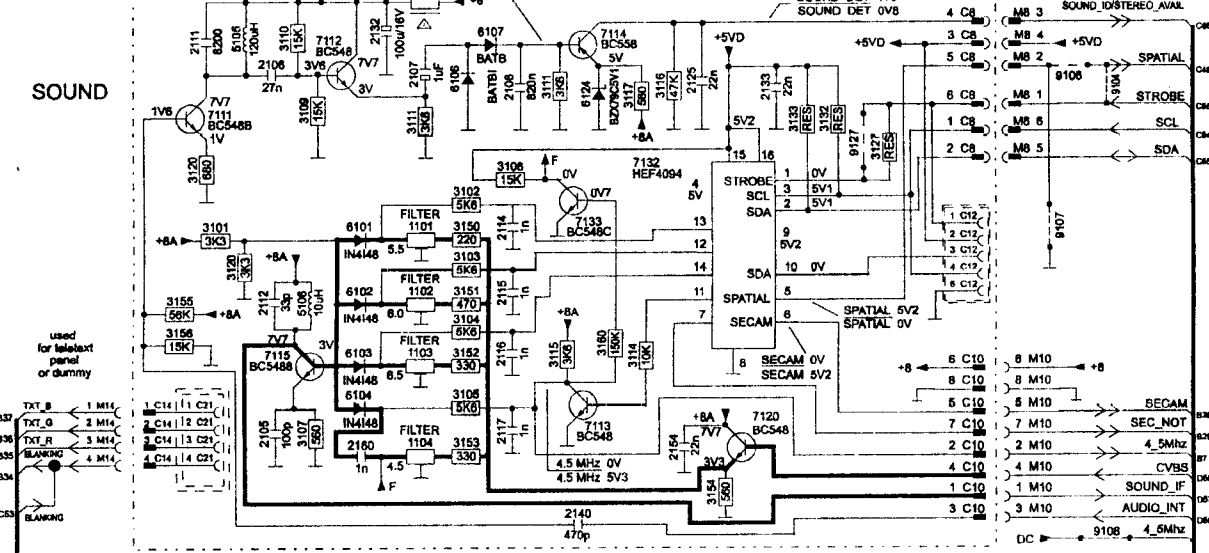


D

MULTISOUND PANEL

SCH: anubis/3122/223/31910/1

SOUND PROCESSING

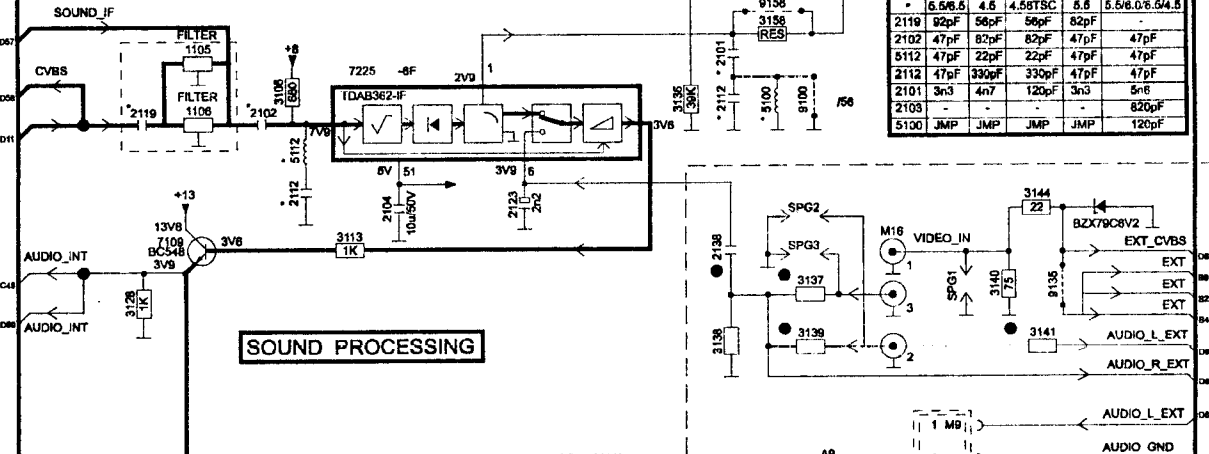


SOUND

used for teletext panel or dummy

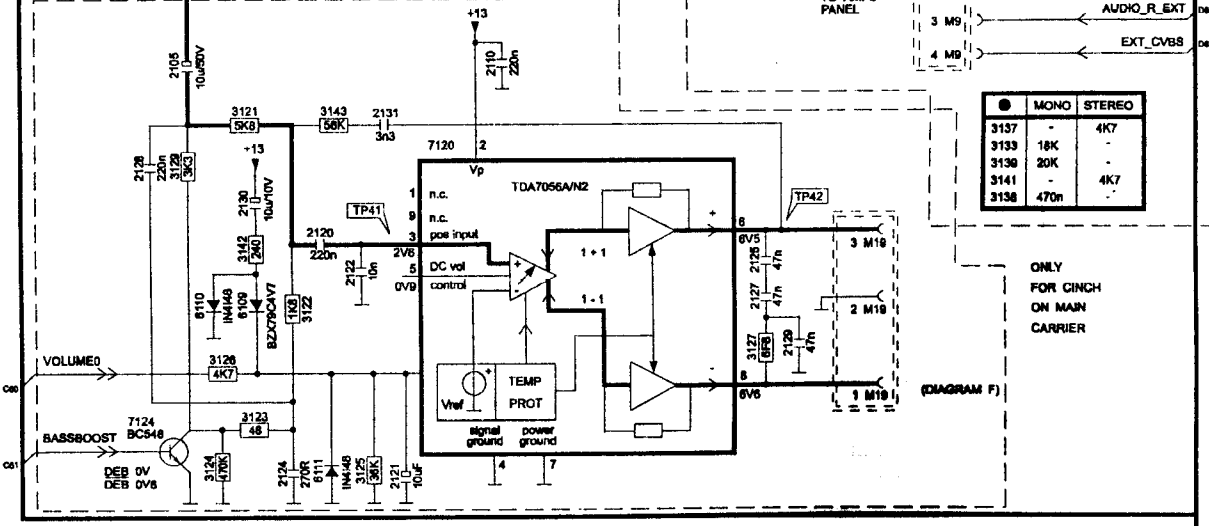
| | 5.566.5 | 4.5 | 4.58TSC | 5.5 | 5.5/6.0/6.5/4.4 |
|------|---------|-------|---------|------|-----------------|
| 2119 | 82pF | 56pF | 56pF | 82pF | 47pF |
| 2102 | 47pF | 82pF | 82pF | 47pF | 47pF |
| 5112 | 47pF | 22pF | 22pF | 47pF | 47pF |
| 2112 | 47pF | 330pF | 330pF | 47pF | 47pF |
| 2101 | 3n3 | 4n7 | 120pF | 3n3 | 5n6 |
| 2103 | - | - | - | - | 820pF |
| 5100 | JMP | JMP | JMP | JMP | 120pF |

SOUND PROCESSING



ONLY FOR MONO

MONO SOUND AMPLIFIER



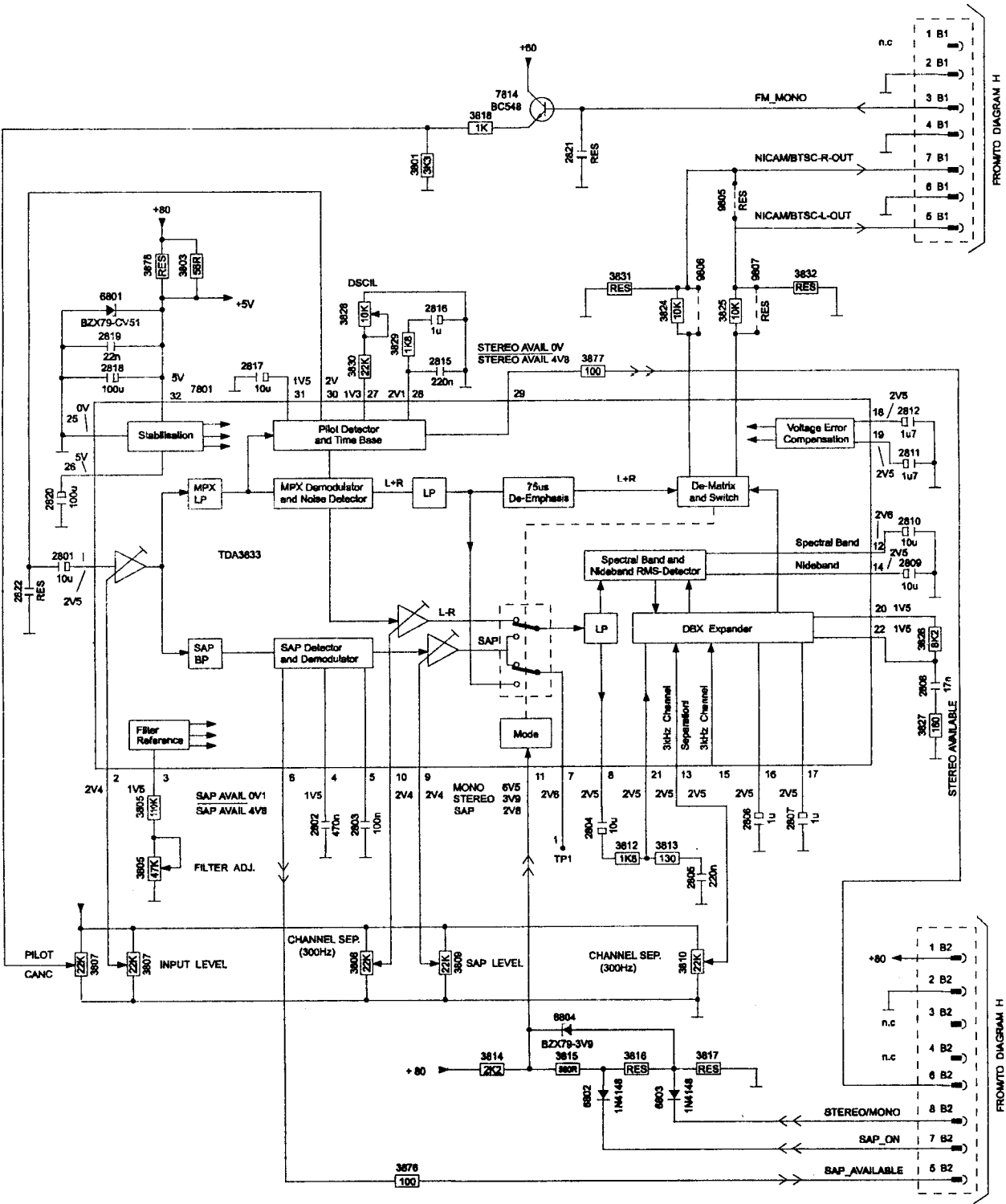
| | MONO | STEREO |
|------|------|--------|
| 3137 | - | 4K7 |
| 3133 | 18K | - |
| 3138 | 20K | - |
| 3141 | - | 4K7 |
| 3138 | 47n | - |

ONLY FOR CINCH ON MAIN CARRIER

(DIAGRAM F)



BTSC



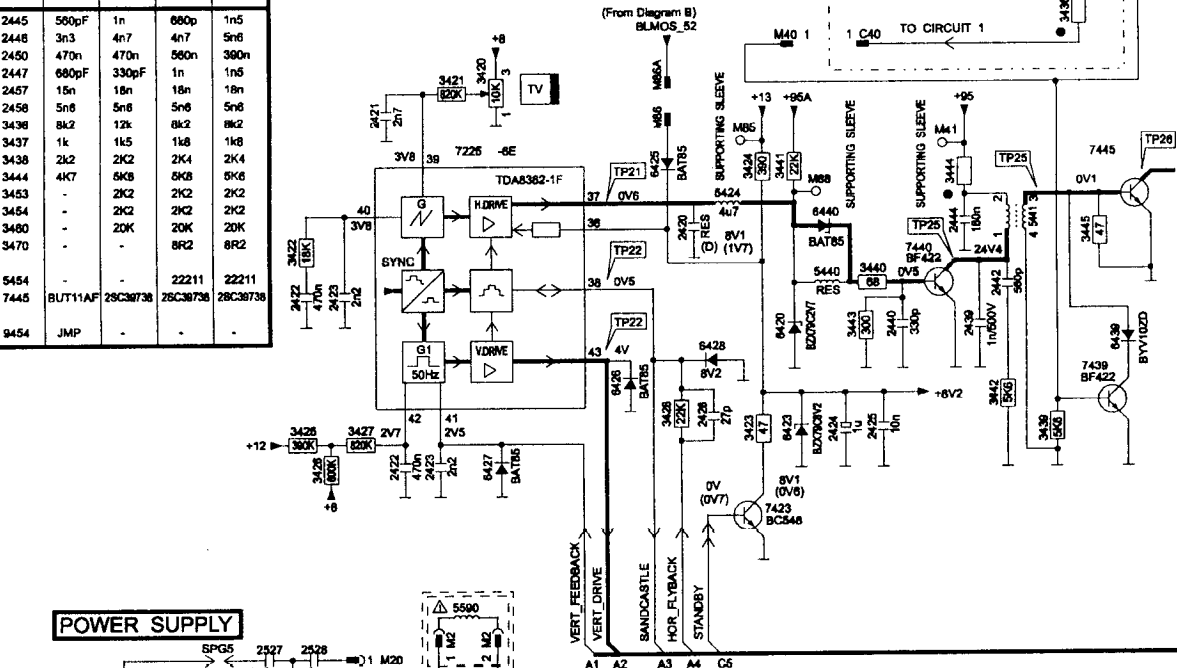
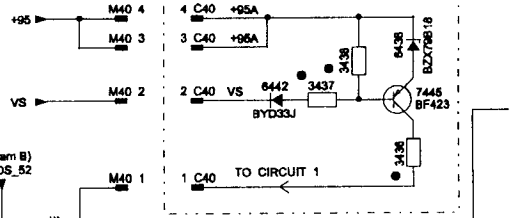
FROM I/O DIAGRAM H

FROM I/O DIAGRAM H

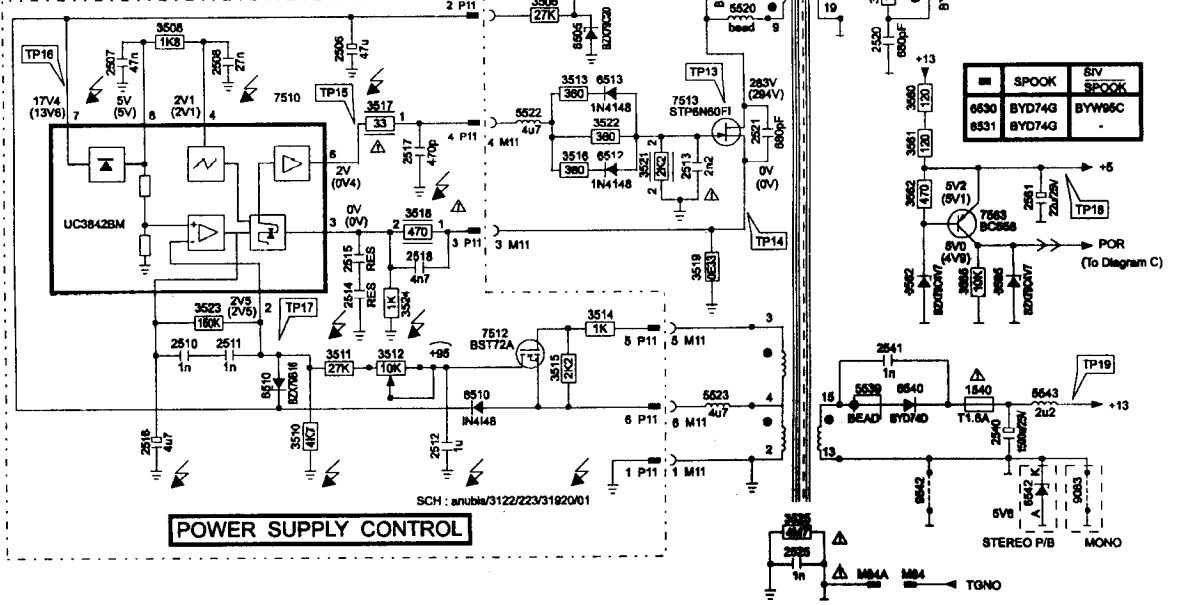
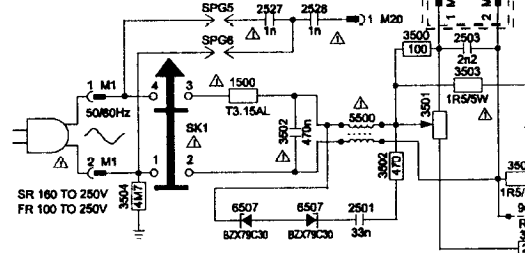


| ● | 14' | 20' | 21' | 21'A03 |
|------|---------|----------|----------|----------|
| 2445 | 560pF | 1n | 660p | 1n5 |
| 2446 | 3n3 | 4n7 | 4n7 | 5n6 |
| 2450 | 470n | 470n | 560n | 390n |
| 2447 | 680pF | 330pF | 1n | 1n5 |
| 2457 | 15n | 18n | 18n | 18n |
| 2456 | 5n6 | 5n6 | 5n6 | 5n6 |
| 3436 | 8k2 | 12k | 8k2 | 8k2 |
| 3437 | 1k | 1k5 | 1k8 | 1k8 |
| 3438 | 2k2 | 2K2 | 2K4 | 2K4 |
| 3444 | 4K7 | 5K8 | 5K8 | 5K6 |
| 3453 | - | 2K2 | 2K2 | 2K2 |
| 3454 | - | 2K2 | 2K2 | 2K2 |
| 3480 | - | 20K | 20K | 20K |
| 3470 | - | - | 8R2 | 8R2 |
| 5454 | - | - | 22211 | 22211 |
| 7445 | BUT11AF | 25C38738 | 25C38738 | 25C38738 |
| 9454 | JMP | - | - | - |

SCAN PROT CCT SCH: 3139/123/365/110/01



POWER SUPPLY



SCH: anubis/3122/223/3192/01

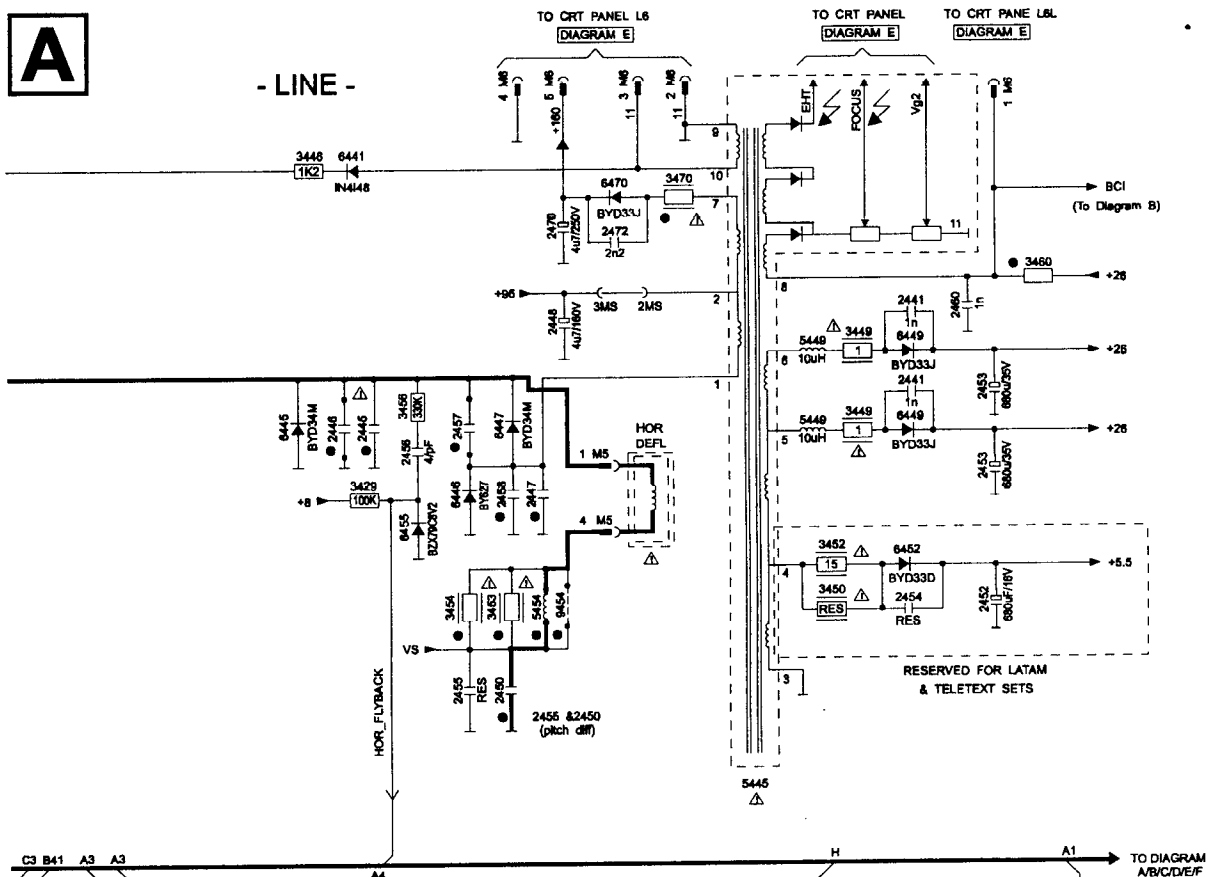
POWER SUPPLY CONTROL

| ■ | SPOOK | 5V | SPOOK |
|------|--------|--------|-------|
| 6530 | BYD74G | BYW96C | |
| 6531 | BYD74G | | |

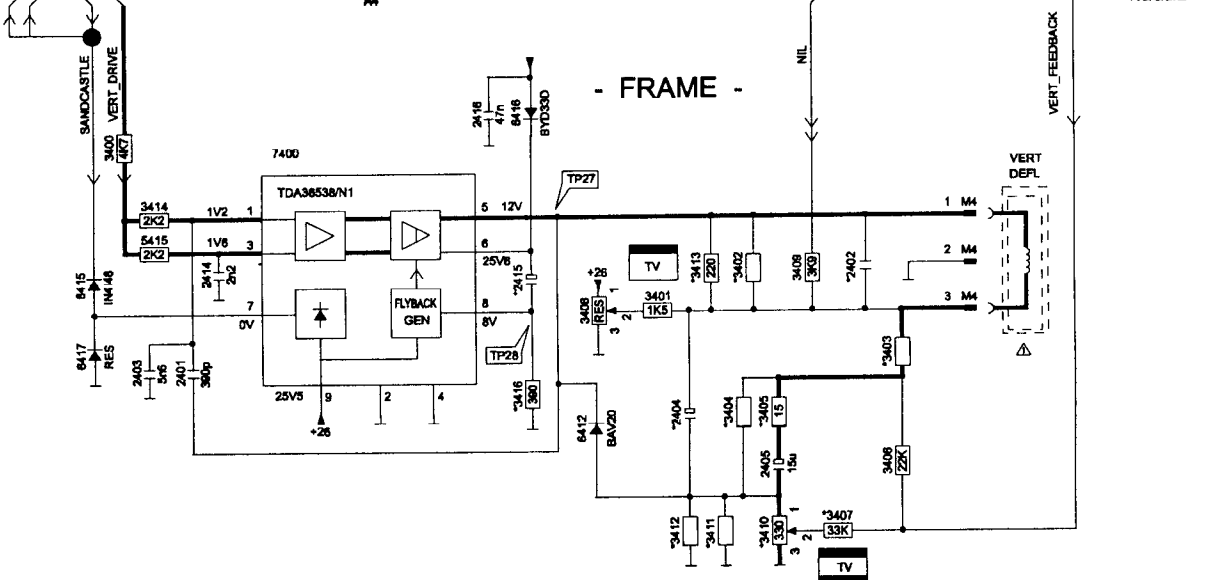
STEREO P/B MONO

A

- LINE -



- FRAME -

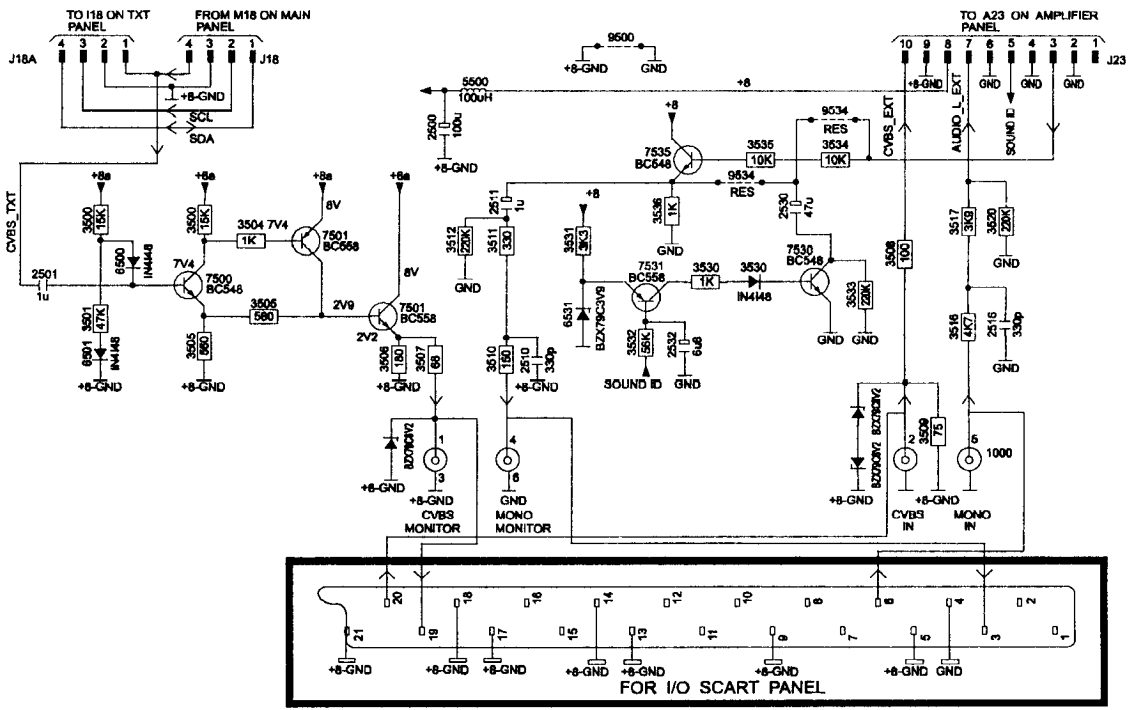


| * | 14' | 20' | 21' |
|------|-------|-------|-------|
| 2402 | 47n | 100n | 100n |
| 2404 | 1500u | 3300u | 3300u |
| 2415 | 22u | 100u | 100u |
| 3402 | 390 | 22n | 22n |
| 3403 | 3K3 | 2K7 | 2K7 |
| 3404 | 2K2 | 1K5 | 1K5 |
| 3407 | - | - | 8K2 |
| 3411 | 2R7 | 1R8 | 1R8 |
| 3412 | 2R7 | 1R8 | 1R8 |
| 3413 | - | - | 220 |
| 3416 | 1K | 470 | 470 |

FRAME-OUTPUT

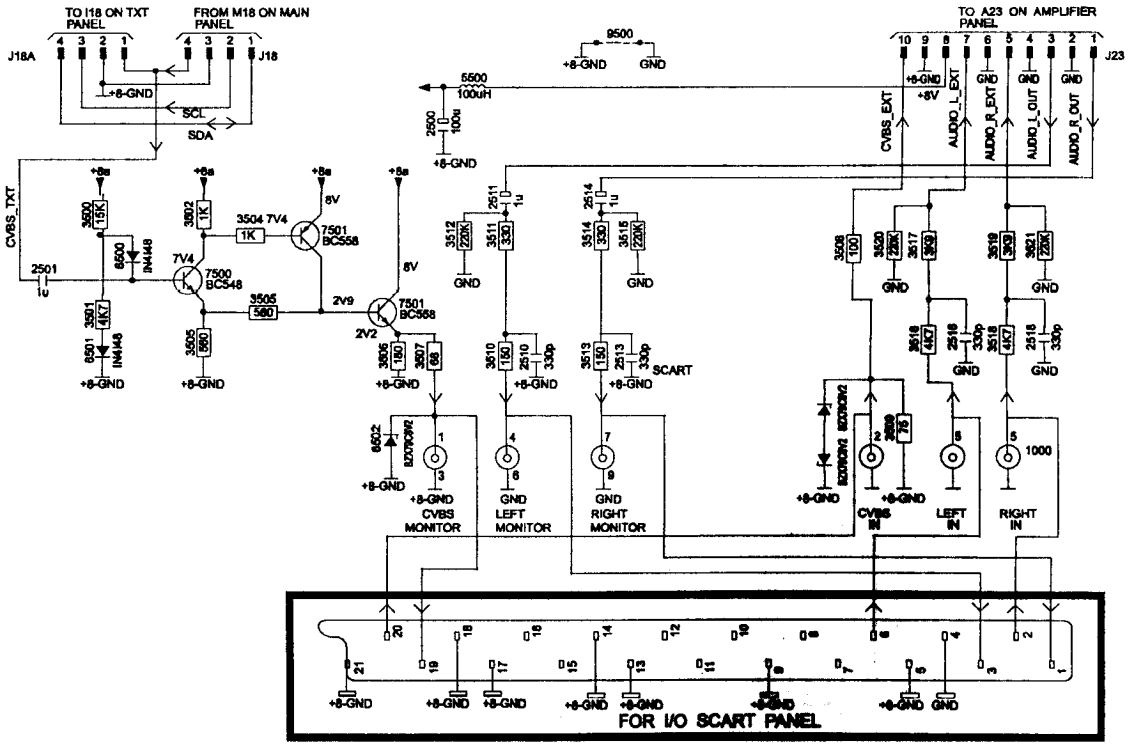
J1

FOR MONO ONLY



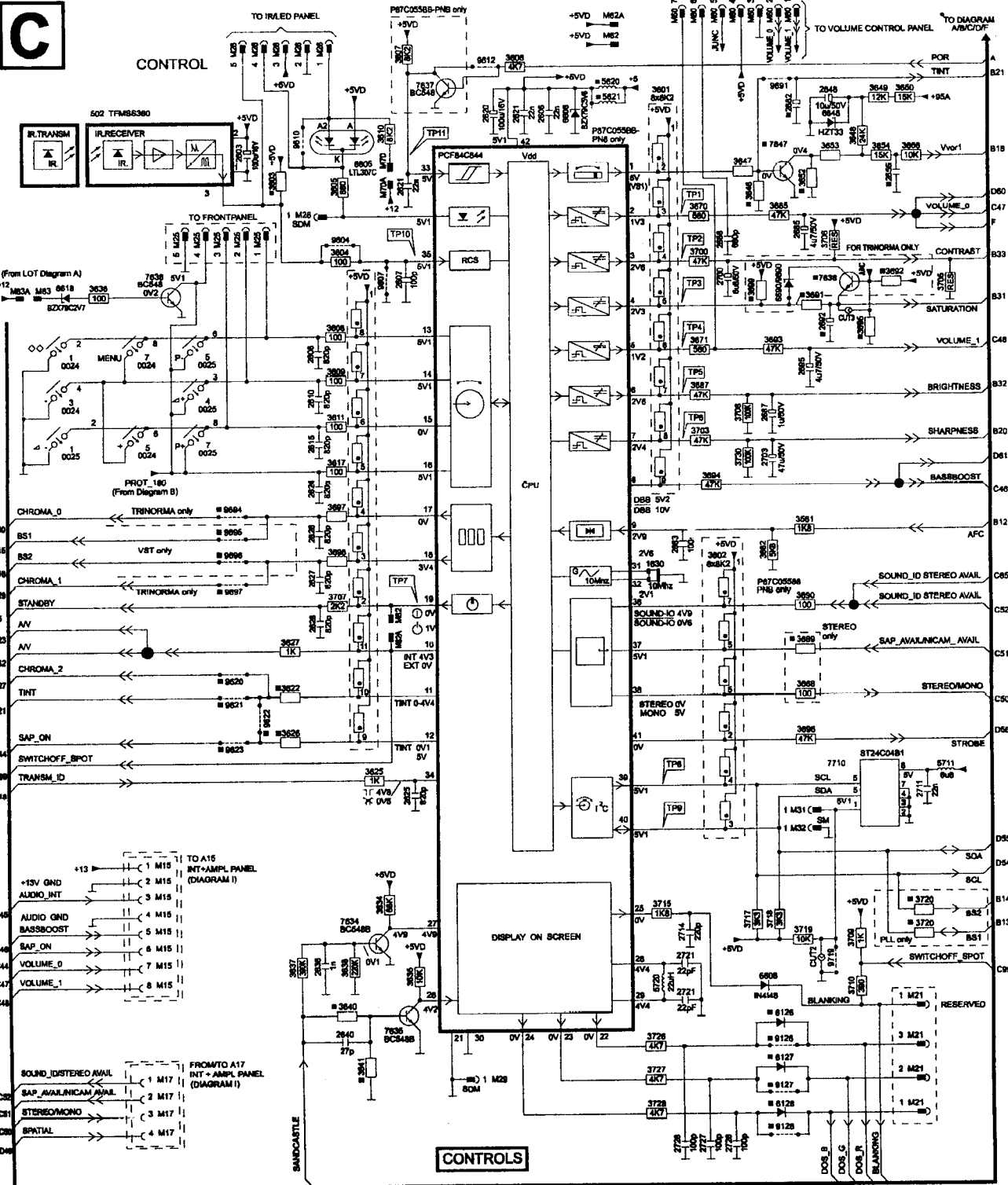
J2

FOR STEREO ONLY



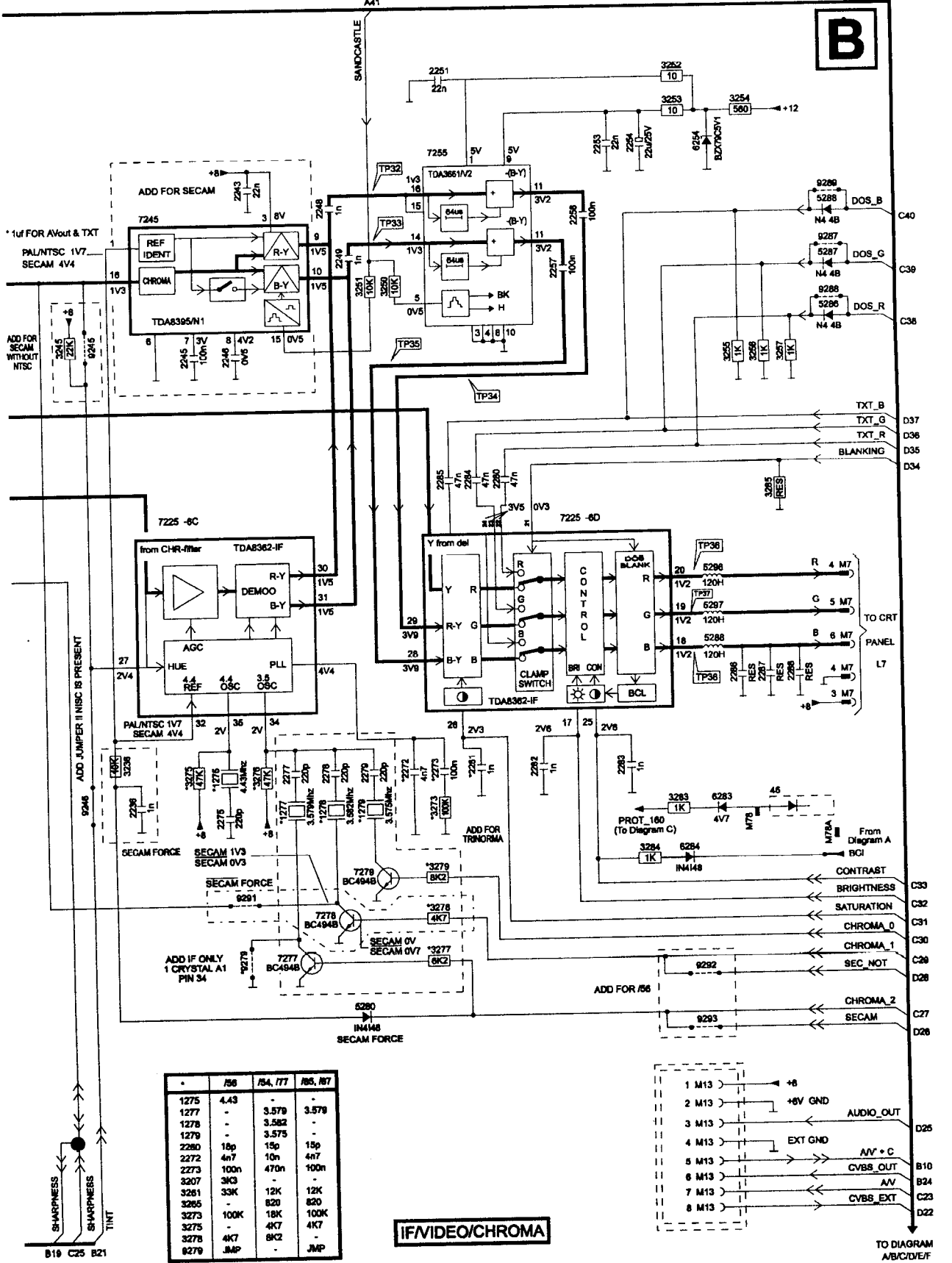
C

CONTROL



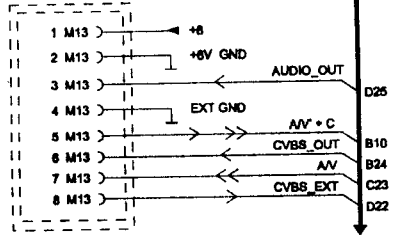
CONTROLS

B



| | I56 | I54, I77 | I65, I67 |
|------|------|----------|----------|
| 1275 | 4.43 | - | 3.578 |
| 1277 | - | 3.578 | - |
| 1278 | - | 3.582 | - |
| 1279 | - | 3.575 | - |
| 2280 | 18p | 15p | 18p |
| 2272 | 4n7 | 10n | 4n7 |
| 2273 | 100n | 470n | 100n |
| 3207 | 3K3 | - | - |
| 3261 | 33K | 12K | 12K |
| 3265 | - | 820 | 820 |
| 3273 | 100K | 18K | 100K |
| 3275 | - | 4K7 | 4K7 |
| 3278 | 4K7 | 8K2 | - |
| 9279 | JMP | - | JMP |

IF/VIDEO/CHROMA



*1u1 FOR AVout & TXT

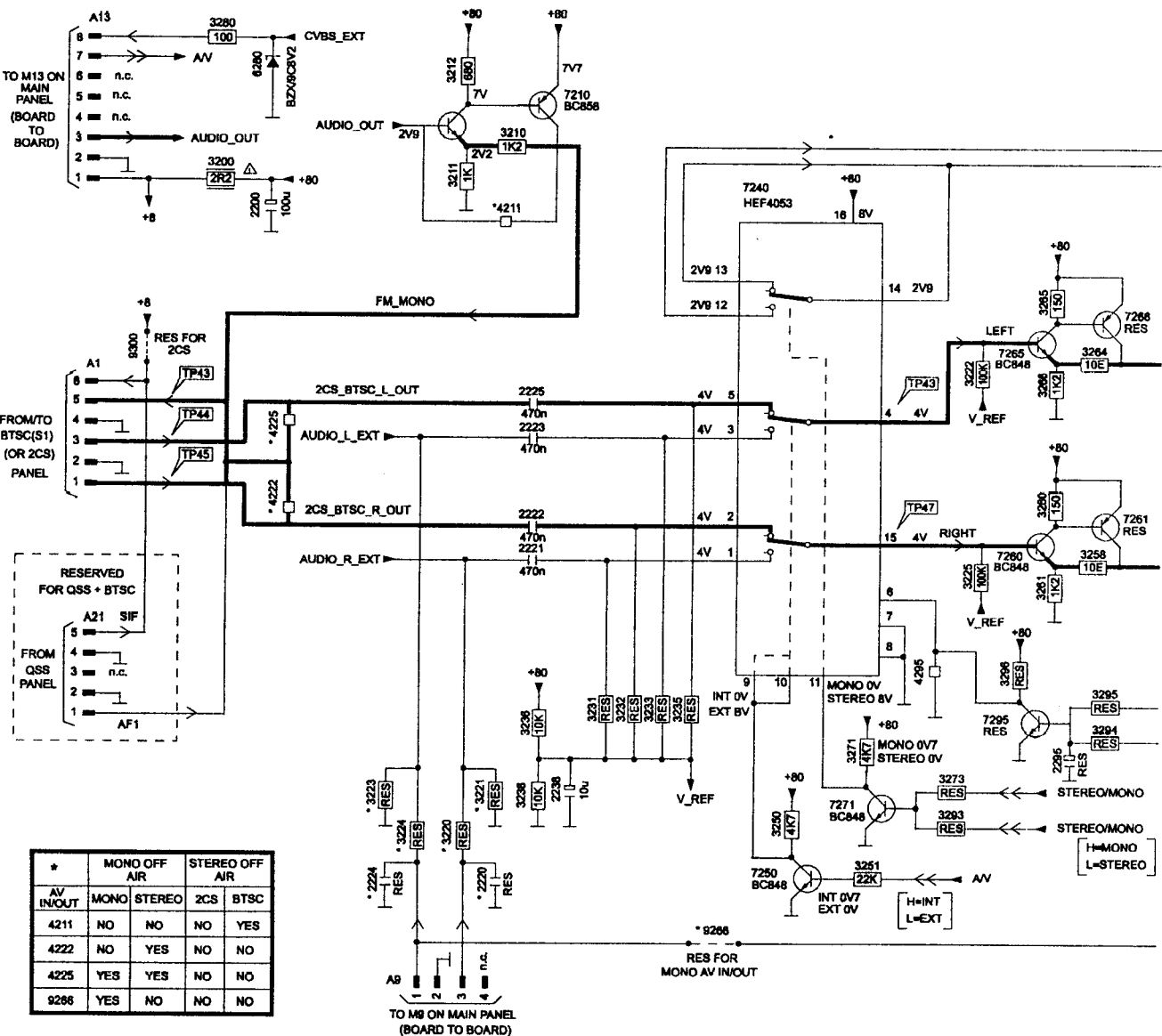
ADD FOR SECAM WITHOUT NTSC

ADD JUMPER I183C IS PRESENT

SHARPNESS
SHARPNESS
TINT

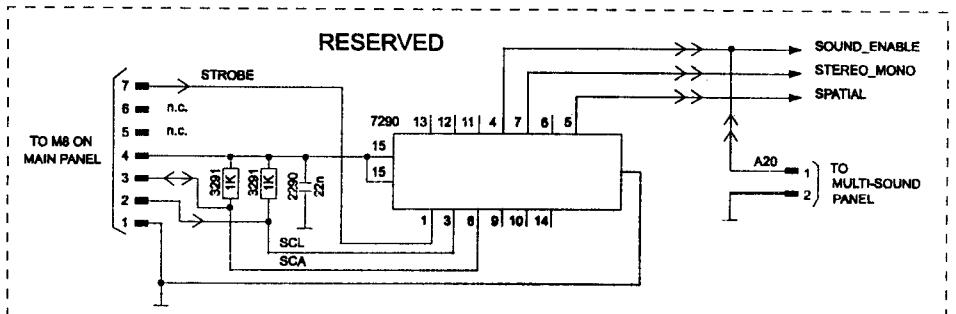
TO DIAGRAM A/B/C/D/E/F

STEREO INTERFACE



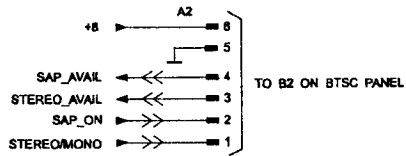
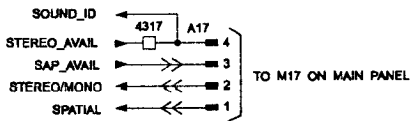
| * | MONO OFF AIR | | STEREO OFF AIR | |
|------|--------------|--------|----------------|------|
| | MONO | STEREO | 2CS | BTSC |
| 4211 | NO | NO | NO | YES |
| 4222 | NO | YES | NO | NO |
| 4225 | YES | YES | NO | NO |
| 9286 | YES | NO | NO | NO |

| * | STEREO AV IN ONLY | | AV IN OUT | |
|------|-------------------|------|-----------|----|
| | 2220 | 330p | — | — |
| 2224 | 330p | — | — | — |
| 3220 | 3K9 | — | — | — |
| 3221 | 100K | — | — | — |
| 3223 | 100K | — | — | — |
| 3224 | 3K9 | — | — | — |
| 4211 | NO | NO | NO | NO |
| A23 | NO | YES | — | — |

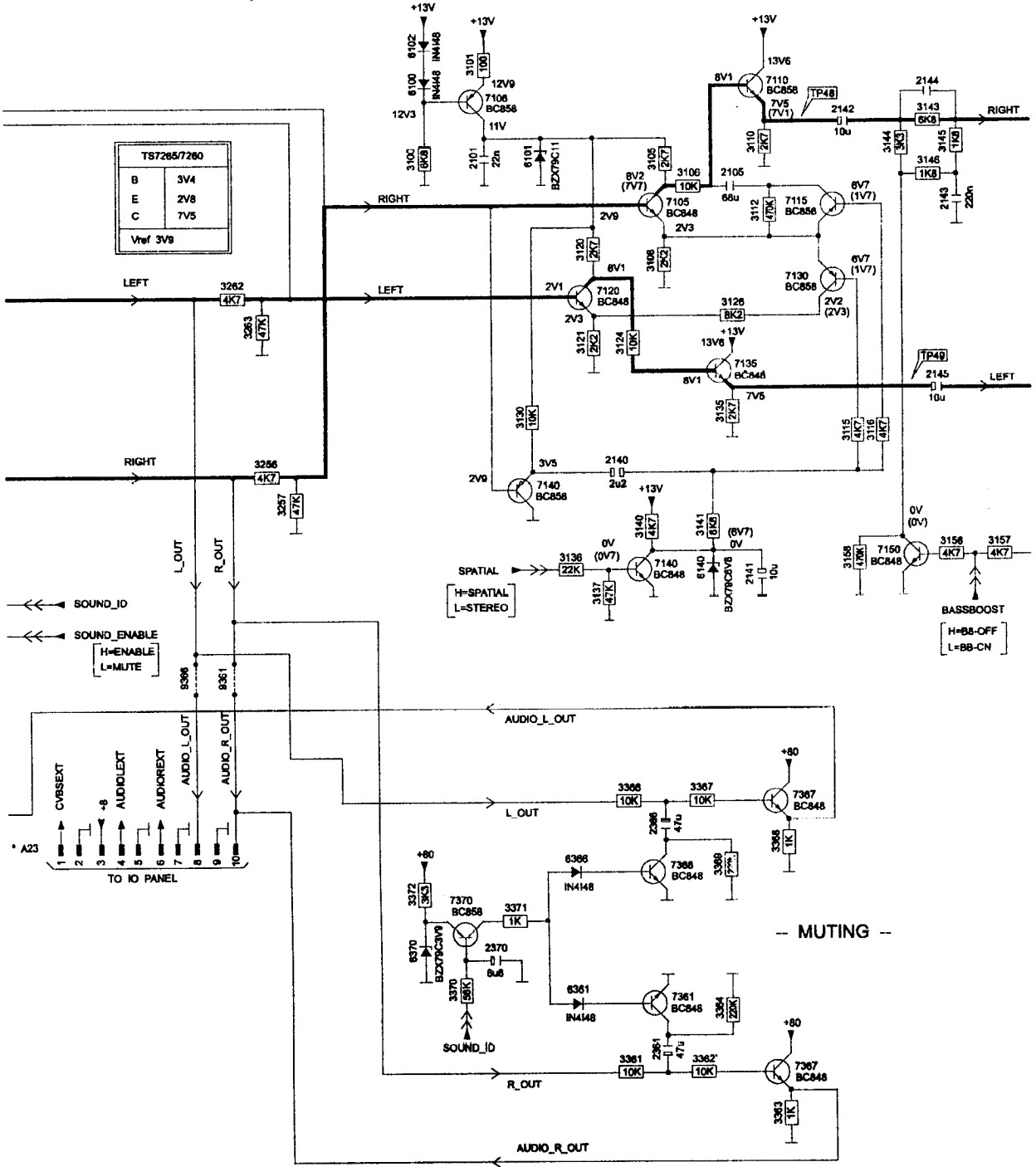




SPATIAL + BASSBOOST



| | |
|-------------|-----|
| T57265/7260 | |
| B | 3V4 |
| E | 2V8 |
| C | 7V5 |
| Vref | 3V8 |



B

TUNER/SAWFILTER IF VIDEO CHROMA

ADDED IF
 1) AVn (TXT OR SECAM)
 2) AVout

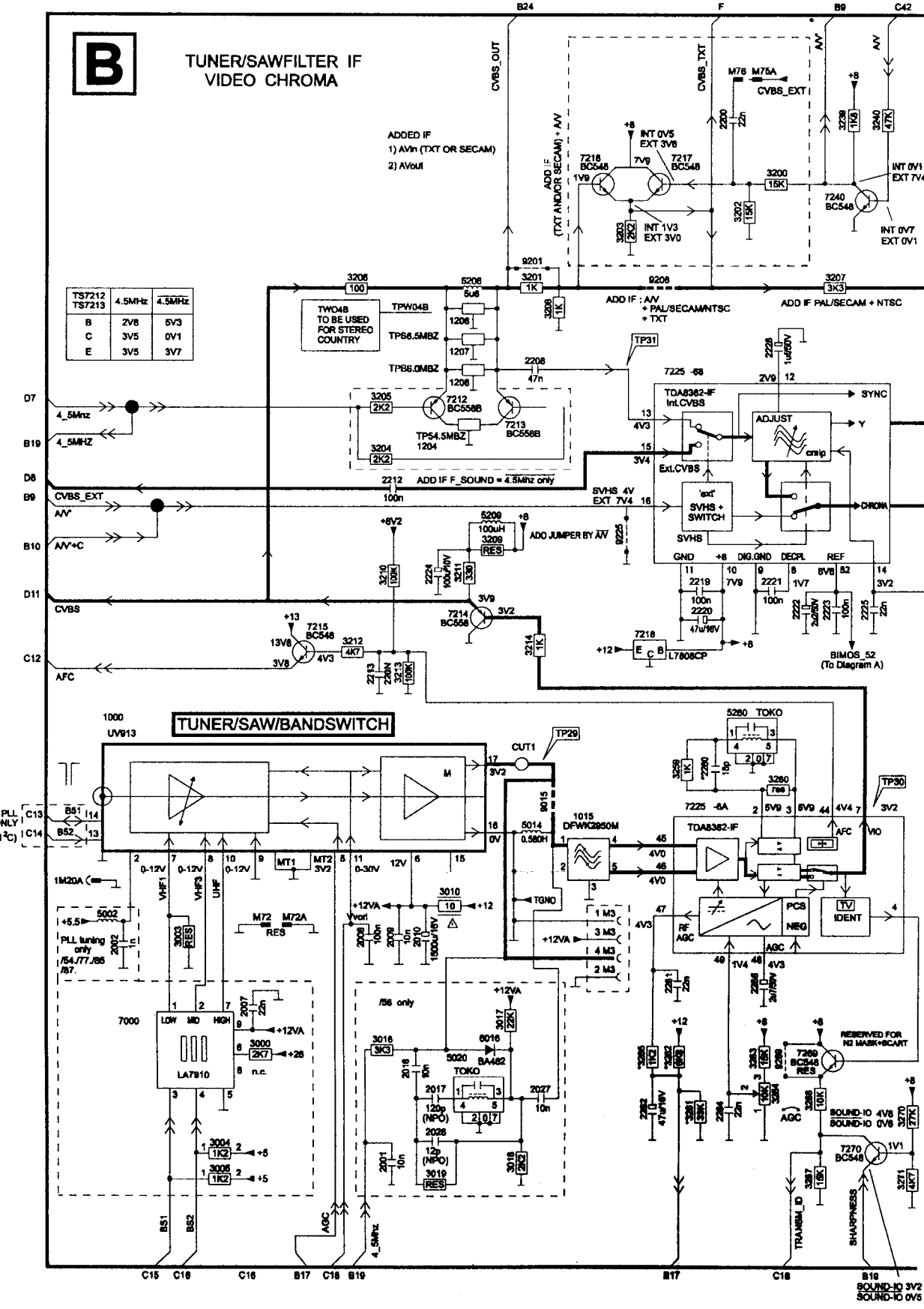
| | | |
|--------|--------|--------|
| TS7212 | 4.5MHz | 4.5MHz |
| TS7213 | 4.5MHz | 4.5MHz |
| B | 2V8 | 5V3 |
| C | 3V5 | 0V1 |
| E | 3V5 | 3V7 |

TWO48
 TO BE USED
 FOR STEREO
 COUNTRY

ADD IF F_SOUND = 4.5MHz only

ADD IF: AV + PAL/SECAM/TSC + TXT

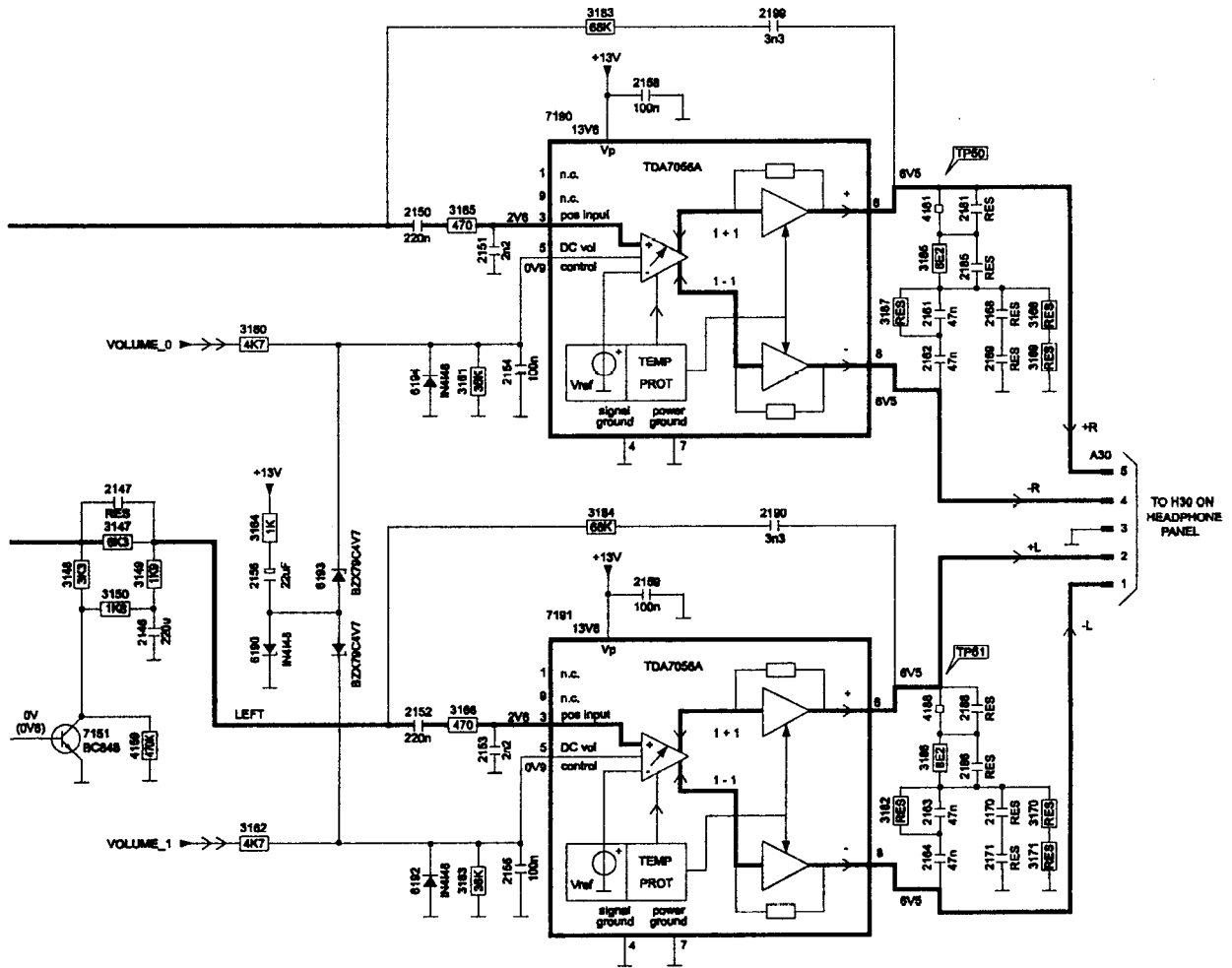
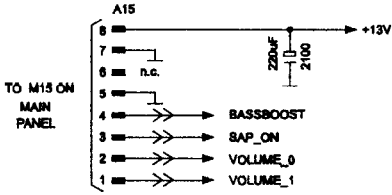
ADD IF PAL/SECAM + NTSC



PLL ONLY
 (±2°C)

C15 C18 C16 B17 C18 B19 B17 C18 B18 B18 SOUND-IO 3V2 SOUND-IO 0V6

STEREO AMPLIFIER



| Muting circuitry | SOUND_ID = 4V9 No mute | SOUND_ID = 0V8 Mute |
|------------------|---------------------------|------------------------|
| TS7370 | B 4V9 | 2V |
| | E 3V2 | 2V7 |
| | C 0V | 2V6 |
| TS7366/7361 | B 0V | 0V8 |
| | E 0V | 0V |
| | C 0V | 0V |
| TS7367/7362 | B 2V8 | 2V8 |
| | E 2V1 | 2V1 |
| | C 2V9 | 7V9 |