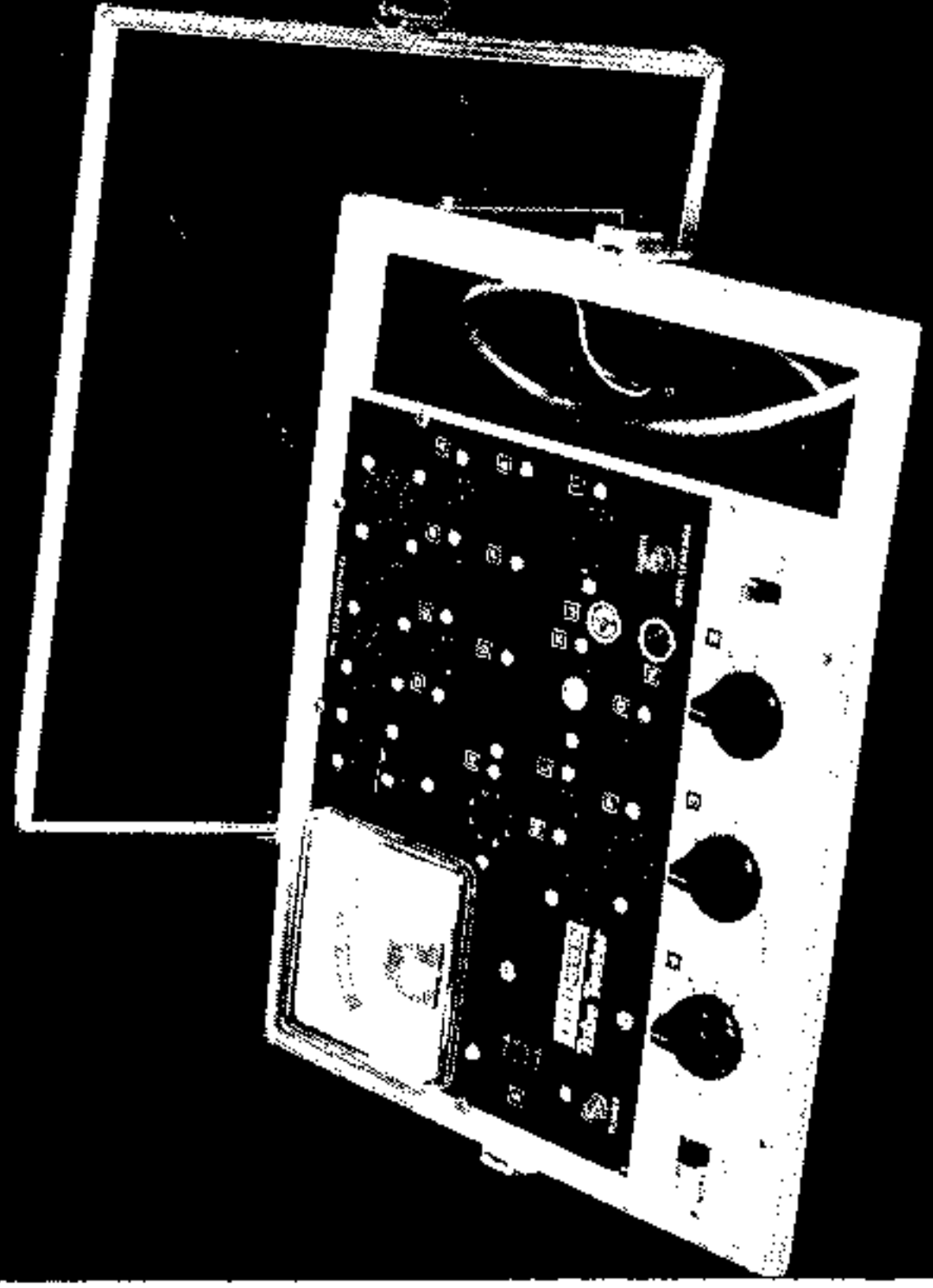




**OPERATING  
INSTRUCTIONS  
AND TUBE DATA  
FOR  
EICO MODEL 635  
TUBE TESTER**



### General Description

The Model 635 tube tester is a portable instrument providing high speed testing of T. V., Radio and Industrial types of tubes.

An accessory compartment in the luggage-type carrying case holds the test cable for picture tubes and the line cord.

The cable supplied in this compartment will enable you to test the standard 12 pin and the 8 pin 110° tubes. A listing of these types of picture tubes is not necessary (since an emission test is made and all tubes are tested alike).

### WARRANTY

Please read the enclosed warranty and note that the registration card accompanying each unit should be filled in and returned to the company within 10 days of purchase. The warranty applies only if we have your registration card on file.

### General Information

1. Set all switches before inserting the tube in its socket.
2. 1st test for shorts before making quality test.
3. If "shorts-grid leakage" indicator glows when tube is inserted in its proper socket do not test for quality. Damage to the circuit of the tube tester may occur or you may damage the tube.
4. Tubes listed with a "#" next to it is read on diodes O. K. scale.

### Tube Testing Procedure

1. Connect the line cord to a 117 V. 60 cycle supply.
2. Set switches as indicated next to tube listing. If more than 1 line is indicated remove the tube before setting the switches for the 2nd test.
3. Insert the tube in its proper socket and allow a sufficient time for the tube to warm up.
4. Check the "shorts-grid leakage" jewel, if there is a glow it indicates a shorted tube, make no further tests on the tube.
5. If there is no glow on the "shorts-grid leakage" jewel, test for quality. (Read correct scale).
6. If the tube tests good then check for a screen short.
7. Under the column listed as Sht Test you may find a notation listed as 2 or 4. Move that designated switch to the position indicated in the column. Any glow on the "shorts-grid leakage" jewel will indicate a short between Grid 1 and Grid 2. This will indicate a shorted tube and it should be discarded.

### Testing Picture Tubes (Standard 12 pin and 8 pin 110° tubes only)

1. Set switch "1" to position "A".
2. Set switch "2" to position "12".
3. Set switch "3" to the proper filament voltage for the tube under test. (You will find the proper filament voltage listed in your tube manuals).
4. Voltage selection "switch #3"
  - "2.35 to 2.68" volts use position "C".
  - "4.7 volts" use position "D".
  - "6.3 to 8.4 volts" use position "E".
  - "12.6 volts use position "F".
5. Allow a sufficient time for the tube to warm up.
6. If the "shorts-grid leakage" jewel lights brightly a low resistance short is indicated. If the jewel lights up with a faint glow it indicates a high resistance short or a gassy tube.
7. Press the "test for quality" switch to test and read the meter. Any reading of above 20 on the upper scale "0 to 100" represents a good tube.

TUBE TYPE	Sht Test	1	2	3	4	Skt	TUBE TYPE	Sht Test	1	2	3	4	Skt	TUBE TYPE	Sht Test	1	2	3	4	Skt
1AB5	4-3	A	6	B	12	H	1J3#	4-3	D(S)11	B	12	D	2BA2	2-6	B(S)1	B	12	A	3AJ8	2-6
1AB6	4-3	B	4	B	12	M	1J5	4-4	A 5	B	12	D	2BJ2	2-6	B(S)11	B	12	A	3AL5#	2-6
1AC6	4-3	B	4	B	12	M	1K3#	4-3	D(S)11	B	12	D	2BN4	2-6	A 1	C	2	L	3AL5#	2-6
1AE4	4-3	B	6	B	12	M	1L4	4-3	B 6	B	12	M	2CN3#	2-6	B(S)11	B	12	D	3AT2#	2-6
1AF4	4-3	B	6	B	12	M	1L6	4-3	C 4	B	12	M	2CW4	2-6	A 8	C	4	J	3AU6	2-6
1AF5	4-4	B	6	B	12	M	1LA4	4-3	B 6	B	12	H	2CY5	2-6	A 2	C	1	L	3AV6	2-6
1AF5#	4-4	D	3	B	12	M	1LA6	4-3	B 4	B	12	H	2D21	2-6	A 2	E	1	L	3AV6#	2-6
1AH5	4-4	B	6	B	12	M	1LB4	4-3	B 6	B	12	H	2DF4	2-6	B 8	C	12	A	3AV6#	2-6
1AH5#	4-3	D	3	B	12	M	1LB6	4-3	B 6	B	12	H	2DS4	2-6	A 8	C	4	J	3AW2#	2-6
1AJ4	4-3	B	6	B	12	M	1LC5	4-3	B 6	B	12	H	2DV4	2-6	A 7	C	6	N	3AW3#	2-6
1AM4	4-3	B	6	B	12	M	1LC6	4-3	C 4	B	12	H	2DZ4	2-6	A 5	C	6	L	3B2#	2-6
1AN5	4-3	B	6	B	12	M	1LD5	4-3	B 6	B	12	H	2E24	2-6	A 5	E	12	D	3B5	2-6
1AQ5	4-3	B	4	B	12	M	1LD5#	4-3	D 4	B	12	H	2E26	2-6	A 1	E	5	D	3B7	2-6
1AS5	4-3	B	6	B	12	M	1LE3	4-3	B 6	B	12	H	2EA5	2-6	A 2	C	1	L	3B7	2-6
1AS5#	4-3	D	4	B	12	M	1LF3	4-6	B 6	B	12	H	2EG4	2-6	A 8	B	4	J	3BA6	2-6
1AU2#	4-3	B(S)1	11	B	12	A	1LF4	4-3	B 6	B	12	H	2EN5#	2-6	A 5	C	2	L	3BC5	2-6
1AU3#	4-3	B(S)11	11	B	12	D	1LG5	4-3	B 6	B	12	H	2EN5#	2-6	A 5	C	7	L	3BE6	2-6
1AX2#	4-3	D(S)11	11	B	12	A	1LH4	4-3	B 6	B	12	H	2ER5	2-6	A 1	C	2	L	3BH2#	2-6
1B3#	4-3	B(S)11	11	B	12	D	1LH4#	4-3	D 4	B	12	H	2ES5	2-6	A 1	C	2	L	3BL2#	2-6
1C1	4-3	B	4	B	12	M	1LN5	4-3	B 6	B	12	H	2EV5	2-6	A 2	C	1	L	3BM2#	2-6
1C2	4-3	B	4	B	12	M	1N2#	4-3	A(S)11	B	12	D	2EZ4	2-6	A 5	E	12	D	3BN2#	2-6
1C3	4-6	B	4	B	12	M	1N5	4-4	B 11	B	12	D	2FH5	2-6	A 1	C	2	L	3BN4	2-6
1C7	4-6	B	5	B	12	D	1N6	4-4	B 5	B	12	D	2FQ5	2-6	A 1	C	2	L	3BN6	2-6
1D8	4-4	B	11	B	12	D	1N6#	4-4	D 6	B	12	D	2FS5	2-6	A 2	C	1	L	3BU6	2-6
1D8#	4-4	B	5	B	12	D	1P10	4-4	B 3	C	12	M	2FV6	2-6	A 7	C	1	L	3BU6#	2-6
1D13#	4-4	C	3	B	12	M	1P11	4-4	A 6	C	12	M	2FY5	2-6	A 1	C	2	L	3BU6#	2-6
1E3	4-4	A	1	B	12	A	1Q5	4-4	A 5	B	12	D	2GK5	2-6	A 1	C	1	L	3BU8	2-6
1E7	4-4	A	4	B	12	D	1R4	4-3	C 7	B	4	H	2GU5	2-6	A 2	C	1	L	3BX6	2-6
1E7	4-8	A	5	B	12	D	1R5	4-3	B 4	B	12	M	2GW5	2-6	A 5	C	6	L	3BY6	2-6
1F3	4-3	B	6	B	12	M	1S2#	4-4	B(S)11	B	12	A	2GZ5	2-6	A 1	C	2	L	3BY7	2-6
1F5	4-4	B	5	B	12	D	1S4	4-4	B 3	B	12	M	2HA5	2-6	A 2	C	1	L	3BZ6	2-6
1F7#	4-4	D	5	B	12	D	1S5	4-4	B 6	B	12	M	2HK5	2-6	A 2	C	1	L	3C2#	2-6
1FD1	4-4	B	6	B	12	M	1S5#	4-4	D 3	B	12	M	2HM5	2-6	A 2	C	1	L	3C4	2-6
1FD1#	4-4	D	3	B	12	M	1SA6	4-4	B 4	B	12	D	2HQ5	2-6	A 2	C	1	L	3C5	2-6
1FD9	4-4	B	6	B	12	M	1SB6	4-4	B 8	B	12	D	2HR8	2-6	A 3	C	9	A	3C6	2-6
1FD9#	4-4	B	6	B	12	M	1SB6#	4-4	D 5	B	12	D	2T4	2-6	A 5	C	2	L	3C6	2-6
1G3#	4-4	B(S)11	11	B	12	D	1U4	4-3	B 6	B	12	M	2V2#	2-6	B(S)11	B	12	D	3CA3	2-6
1G5	4-4	A	5	B	12	D	1U5	4-3	B 6	B	12	M	2V3#	2-6	B(S)11	B	12	D	3CB6	2-6
1G6	4-4	A	4	B	12	D	1U5#	4-3	D 4	B	12	M	2W3#	2-6	A 4	C	12	F	3CE5	2-6
1G6	2-1	A	4	B	12	D	1U6	4-3	B 4	B	12	M	3A2#	2-6	D 11	C	12	A	3CF6	2-6
1G8	2-6	A	4	B	12	D	1V2#	4-3	B(S)1	B	12	A	3A3#	2-6	B(S)11	C	12	D	3CN3#	2-6
1GC5	2-6	A	7	B	12	A	1X2#	2-1	B(S)11	B	12	M	3A4	2-6	A 2	C	1	L	3CS6	2-6
1H2#	2-4	B(S)11	11	B	12	A	1Z2#	2-1	B 5	C	12	M	3A5	2-6	A 5	C	12	M	3CY5	2-6
1H5	2-4	B	11	B	12	D	2A4	2-1	A 5	C	12	M	3A5	2-6	A 3	C	12	M	3D6	2-4
1H5#	2-6	D	5	B	12	D	2AF4	2-6	B(S)11	C	12	I	3A8	2-6	A 5	C	13	D	3D21	2-4
1H6	2-6	A	6	B	12	D	2AS2#	2-6	B(S)1	B	12	A	3A8	2-6	C 8	C	12	D	3DG4#	2-6
1H6#	2-6	D	4	B	12	D	2AV2#	2-6	B(S)11	B	12	A	3A8#	2-6	A 5	C	12	D	3DG4#	2-6
1H6#	2-6	D	5	B	12	D	2AZ2#	2-6	B(S)11	B	12	A	3AF4	2-6	A 5	C	2	L	3DK6	2-6
1H6#	2-6	D	5	B	12	D	2B3#	2-6	B(S)11	C	12	D	3AJ8	2-6	A 3	C	2	A	3DT6	2-6





TUBE TYPE	Sht Test	1	2	3	4	Skt	TUBE TYPE	1	2	3	4	Skt	Sht Test	TUBE TYPE	1	2	3	4	Skt	Sht Test	TUBE TYPE	1	2	3	4	Skt	Sht Test
5CL8		A	3	D	1	A	5J6	A	7	D	6	L		5Y4#	A	5	D	12	E		6AH4	A	8	E	1	D	
5CL8	2-7	A	8	D	9	A	5JK6	A	2	D	1	L	2-6	5Z4#	A	4	D	12	F		6AH5	A	8	E	6	D	2-1
5CM6	2-1	A	7	D	3	A	5JL6	A	2	D	1	L	2-6	5Z4#	A	6	D	12	F		6AH6	A	7	E	1	L	2-6
5CM8		A	8	D	9	A	5JL8	A	1	D	2	A		6A5	A	5	E	12	D		6AH7	A	2	E	1	D	
5CM8	2-7	A	3	D	2	A	5JL8	A	6	D	7	A	2-8	6A8	A	8	E	5	D		6AH7	A	4	E	5	D	2-6
5CQ8		A	8	D	9	A	5KD8	A	7	D	2	A	2-3	6AB4	A	7	E	6	L		6AJ5	A	2	E	1	L	2-6
5CQ8	2-3	A	7	D	2	A	5KD8	A	9	D	8	A		6AB6	A	8	E	5	D		6AJ7	A	5	E	4	D	2-6
5CR8		A	8	D	9	A	5KE8	A	7	D	2	A	2-3	6AB7	A	5	E	4	D		6AJ8	A	3	E	9	A	
5CR8	2-7	A	3	D	2	A	5KE8	A	8	D	9	A		6AB8	A	3	E	2	A		6AJ8	A	3	E	2	A	2-1
5CU4#		A	1	D	4	F	5KZ8	A	3	D	2	A	2-7	6AB8	A	3	E	9	A		6AK5	A	2	E	1	L	2-6
5CU4#		A	1	D	6	F	5KZ8	A	8	D	9	A		6AC5	A	8	E	5	D		6AK6	A	7	E	1	L	2-6
5CZ5	2-1	A	7	D	3	A	5LJ8	A	3	D	1	A	2-7	6AC6	A	8	E	5	D		6AK7	A	5	E	4	D	2-6
5DB5	2-1	A	2	D	3	A	5LJ8	A	3	D	9	A		6AC7	A	5	E	4	D		6AK8	A	7	E	8	A	
5DH8		A	3	D	1	A	5MB8	A	3	D	1	A	2-7	6AC9	A	8	E	9	I		6AK8#	A	7	E	6	A	
5DH8	2-7	A	8	D	9	A	5MB8	A	8	D	9	A	2-7	6AC9#	A	4	E	2	I		6AK8#	A	7	E	1	A	
5DJ4#		A	3	D	12	D	5M-HH3	A	7	D	5	L	2-7	6AC9#	A	4	E	3	I		6AK8#	A	3	E	2	A	
5DJ4#		A	6	D	12	D	5M-HH3	A	7	D	6	L		6AC10	A	3	E	11	I		6AL3#	A	11	E	9	A	
5EA8	2-3	A	8	D	9	A	5R4#	A	4	D	12	F		6AC10	A	6	E	7	I		6AL5#	A	5	E	2	L	
5EA8		A	7	D	2	A	5R4#	A	6	D	12	F		6AC10	A	4	E	9	I		6AL5#	A	1	E	7	L	2-4
5EH8	2-8	A	1	D	2	A	5T4#	A	4	D	12	F		6AD5	A	8	E	5	D		6AL6	A	8	E	5	D	
5EH8		A	1	D	7	A	5T4#	A	6	D	12	F		6AD7	A	8	E	1	D		6AL7	A	8	E	1	D	2-7
5ES8		A	3	D	2	A	5T8	A	7	D	8	A	2-4	6AD7	A	8	E	5	D		6AL11	A	2	E	3	I	2-10
5ES8		A	8	D	7	A	5T8#	A	7	D	6	A	2-1	6AD8	A	3	E	2	A		6AL11	A	9	E	8	I	2-7
5EU8		A	6	D	2	A	5T8#	A	7	D	1	A		6AD8#	A	3	E	7	A		6AM5	A	2	E	1	L	2-7
5EU8	2-9	A	8	D	7	A	5T8#	A	3	D	2	A	2-6	6AD8#	A	3	E	8	A		6AM5	A	2	E	1	L	2-7
5EU8	2-6	A	2	D	1	L	5U4#	A	4	D	12	F		6AD10	A	2	E	6	A		6AM6	A	2	E	1	L	2-7
5FG7		A	3	D	1	A	5U4#	A	6	D	12	F		6AD10	A	9	E	8	I		6AM8	A	7	E	8	A	2-3
5FG7	2-7	A	8	D	9	A	5U8	A	8	D	9	A	2-3	6AE5	A	8	E	5	D		6AN4	A	5	E	6	L	2-6
5FV8		A	3	D	1	A	5U8	A	7	D	2	A	2-8	6AE6	A	8	E	5	D		6AN5	A	2	E	1	L	
5FV8	2-7	A	8	D	9	A	5U9	A	2	D	3	C		6AE7	A	5	E	4	D		6AN6#	A	6	E	2	M	
5GH8		A	8	D	9	A	5U9	A	1	D	10	C		6AE7	A	8	E	6	D		6AN6#	A	6	E	3	M	
5GH8	2-3	A	7	D	2	A	5V3#	A	4	D	12	F		6AF3#	A	11	E	9	A		6AN6#	A	6	E	4	M	
5GJ7		A	1	D	9	A	5V3#	A	6	D	12	F		6AF4	A	5	E	6	L		6AN6#	A	6	E	5	M	
5GJ7	2-7	A	1	D	2	A	5V4#	A	4	D	12	F		6AF5	A	8	E	5	D		6AN7	A	3	E	9	A	2-1
5GM6	2-6	A	2	D	1	L	5V4#	A	6	D	12	F		6AF9	A	7	E	8	C		6AN7	A	3	E	2	A	
5GS7		A	3	D	1	A	5V6	A	8	D	5	D	2-4	6AF9	A	2	E	1	C		6AN8	A	3	E	2	A	
5GS7	2-7	A	8	D	9	A	5V9	A	1	D	3	C	2-4	6AF11	A	7	E	3	I		6AN8	A	9	E	8	A	
5GX6		A	2	D	1	L	5V9	A	9	D	8	C		6AF11	A	5	E	6	I		6AQ4	A	2	E	1	L	2-6
5GX7	2-6	A	1	D	9	A	5W4#	A	4	D	12	F		6AF11	A	9	E	11	I		6AQ5	A	2	E	1	L	
5GX7		A	1	D	2	A	5W4#	A	6	D	12	F		6AG5	A	2	E	1	L		6AQ6	A	2	E	5	L	
5HA7	2-7	A	4	D	9	I	5X4#	A	3	D	12	E		6AG6	A	8	E	5	D		6AQ6#	C	2	E	6	L	
5HA7		A	3	D	11	I	5X4#	A	5	D	12	E		6AG7	A	5	E	4	D		6AQ6#	C	2	E	6	L	
5HB7	2-7	A	3	D	2	A	5X8	A	6	D	2	A		6AG9	A	6	E	5	I		6AQ7	A	6	E	4	E	
5HC7		A	3	D	11	I	5X8	A	6	D	7	A	2-8	6AG9	A	9	E	11	I		6AQ7#	C	2	E	3	E	
5HC7	2-8	A	4	D	9	I	5X9	A	2	D	3	C	2-8	6AG11	A	2	E	3	I		6AQ7#	C	2	E	1	E	
5HG8		A	3	D	6	A	5X9	A	1	D	10	C		6AG11	A	4	E	5	I		6AQ8	A	3	E	2	A	
5HG8	2-9	A	1	D	2	A	5Y3#	A	4	D	12	F		6AG11	A	9	E	8	I		6AQ8	A	8	E	7	A	
5HZ6	2-6	A	2	D	1	L	5Y3#	A	6	D	12	F		6AG11	A	11	E	10	I		6AR5	A	2	E	1	L	2-6
5J6		A	7	D	5	L	5Y4#	A	3	D	12	E		6AG12	A	1	E	2	A		6AR8	A	7	E	6	A	2-3

TUBE TYPE	Sht Test	Skt	3	4	1	2	3	4	Skt	Sht Test	TUBE TYPE
6AR11	2-3	I	E	5	A	7	E	9	A	2-2	6BF8#
6AR11	2-9	I	E	6	A	3	E	6	A		6BF11
6AS5	2-6	L	E	12	A	5	E	12	A		6BF11
6AS6	2-6	L	E	11	D	8	E	11	D		6BG6
6AS7		E	E	4	D	8	E	4	D		6BH3#
6AS8	2-1	E	E	5	D	8	E	5	D		6BH5
6AS8#		E	E	11	D	8	E	11	D		6BH6
6AS11		E	E	4	D	8	E	4	D		6BH8
6AS11		E	E	5	D	8	E	5	D		6BH8
6AS11	2-10	I	E	3	I	2	E	3	I		6BH11
6AT6		L	E	8	I	9	E	8	I		6BH11
6AT6#		L	E	10	I	9	E	10	I		6BH11
6AT6#		L	E	7	I	9	E	7	I		6BJ3#
6AT8	2-7	A	E	1	K	7	E	1	K		6BJ5
6AT8		A	E	2	A	7	E	2	A		6BJ6
6AU4#		E	E	2	A	1	E	2	A		6BJ7#
6AU5	2-8	D	E	7	A	6	E	7	A		6BJ7#
6AU6		L	E	4	A	8	E	4	A		6BJ7#
6AU7		L	E	9	A	1	E	9	A		6BJ8#
6AU8		L	E	5	A	6	E	5	A		6BJ8#
6AU8		L	E	1	A	2	E	1	A		6BJ8#
6AV4#	2-8	L	E	2	A	1	E	2	A		6BK4
6AV4#		L	E	7	A	7	E	7	A		6BK5
6AV5		D	E	1	A	2	E	1	A		6BK6
6AV6		L	E	1	A	7	E	1	A		6BK6#
6AV6#		L	E	6	A	9	E	6	A		6BK7
6AV6#		L	E	8	A	3	E	8	A		6BK7
6AV11		I	E	5	D	1	E	5	D		6BK7
6AV11		I	E	1	D	3	E	1	D		6BK8
6AV11		I	E	1	L	7	E	1	L		6BK11
6AW8	2-8	A	E	2	A	3	E	2	A		6BK11
6AW8		A	E	3	A	7	E	3	A		6BK11
6AX3#		I	E	6	A	3	E	6	A		6BL4#
6AX4#		I	E	9	A	3	E	9	A		6BL7
6AX5#		I	E	2	A	3	E	2	A		6BL7
6AX5#		I	E	8	A	3	E	8	A		6BL8
6AX6#		A	E	3	A	7	E	3	A		6BL8
6AX6#		A	E	7	A	5	E	7	A		6BM5
6AX7	2-8	A	E	4	A	8	E	4	A		6BM8
6AX7		A	E	5	A	9	E	5	A		6BM8
6AX8		A	E	3	A	7	E	3	A		6BM8
6AX8		A	E	5	A	3	E	5	A		6BN4
6AY3#		A	E	2	A	8	E	2	A		6BN5
6AY11#		A	E	7	A	2	E	7	A		6BN6
6AY11#		A	E	9	A	2	E	9	A		6BN7
6AY11		A	E	2	A	3	E	2	A		6BN7
6AY11		A	E	3	A	8	E	3	A		6BN8
6AY11		A	E	10	A	2	E	10	A		6BN8#
6AY11		A	E	5	A	6	E	5	A		6BN8#
6AY11		A	E	8	A	6	E	8	A		6BN11

TUBE TYPE	Sht Test	Skt	1	2	3	4	Skt	Sht Test	TUBE TYPE	1	2	3	4	Skt	Sht Test	TUBE TYPE
6BY8#		A	A	3	E	6	A		6CY7	A	9	E	3	A		6CY7
6BY11	2-6	I	A	2	E	3	A	2-8	6CZ5	A	7	E	3	A	2-1	6DT5
6BY11	2-10	I	A	9	E	2	A		6D1	A	3	E	2	A	2-9	6DT6
6BZ3#		I	A	8	E	7	K		6D2#	A	5	E	2	L		6DT8
6BZ6	2-6	L	A	3	E	1	D		6D2#	A	1	E	7	L		6DT8
6BZ7		A	A	9	E	2	A	2-1	6D4	A	5	E	1	L		6DV4
6BZ7		A	A	3	E	2	K		6D5	A	8	E	5	D		6DW4#
6BZ8		A	A	8	E	4	D	2-8	6D8	A	8	E	5	D	2-6	6DW5
6C4		A	A	3	E	2	A	2-3	6D10	A	3	E	5	D		6DX8
6C5		A	A	1	E	4	A		6D10	A	8	E	5	D		6DX8
6C8		A	A	9	E	2	A	2-7	6D10	A	6	E	7	I		6DY5
6C8		A	A	2	E	5	A		6DA4#	A	4	E	9	I		6DY7
6C9		A	A	8	E	3	D	2-4	6DA5	D	3	E	5	E		6DY7
6C9		A	A	7	E	3	A	2-1	6DA6	A	2	E	1	A		6DZ4
6C10	2-2	A	A	3	E	7	A		6DA7	A	3	E	2	A	2-8	6DZ7
6C10	2-8	A	A	9	E	8	A		6DA7	B	9	E	3	A		6DZ7
6C10		A	A	3	E	2	A	2-7	6DA7	B	8	E	7	A		6DZ8
6C10		A	A	8	E	9	A		6DB5	A	2	E	3	A	2-1	6DZ8
6C12		A	A	5	E	2	A	2-4	6DB6	A	2	E	1	L	2-6	6E8
6C12		A	A	7	E	5	D		6DC6	A	2	E	1	L	2-6	6E8
6C12	2-1	A	A	6	E	7	A		6DC8	A	3	E	1	L	2-1	6EA4
6C16		A	A	3	E	1	A		6DC8#	C	3	E	2	A		6EA5
6C16		A	A	3	E	2	A		6DC8#	C	3	E	7	A		6EA7
6C31	2-3	A	A	3	E	5	E	2-6	6DE4#	A	3	E	8	A		6EA7
6C31	2-4	D	A	2	E	1	L		6DE6	A	2	E	5	E		6EA8
6CA4#		D	A	8	E	9	A	2-3	6DE7	A	9	E	1	L	2-6	6EA8
6CA4#		A	A	7	E	2	A		6DE7	A	8	E	2	A		6EB5#
6CA5	2-6	L	A	1	E	2	L	2-6	6DG6	A	8	E	5	D	2-4	6EB5#
6CA7	2-4	D	A	8	E	9	A		6DJ8	A	3	E	2	A		6EB8
6CB5	2-1	D	A	3	E	2	A	2-7	6DJ8	A	8	E	7	A		6EB8
6CB6	2-6	L	A	2	E	3	A	2-1	6DK6	A	2	E	1	L	2-6	6EC4#
6CD3#		I	A	7	E	1	L	2-6	6DL4	A	2	E	1	L		6ED4
6CD6	2-8	D	A	2	E	3	A		6DL5	A	2	E	1	L	2-6	6EF4
6CD7		D	A	9	E	7	A		6DL8	A	8	E	9	A		6EF6
6CE3		I	D	8	E	4	A		6DL8	A	7	E	2	A	2-3	6EG6
6CE5	2-6	L	A	3	E	2	A	2-7	6DM4#	A	3	E	5	E		6EH5
6CF6	2-6	L	A	2	E	2	A	2-6	6DN6	A	3	E	5	E		6EH7
6CF8	2-1	L	A	3	E	2	L	2-4	6DN7	A	3	E	5	E	2-8	6EH7
6CG3#		I	A	7	E	4	A		6DN7	A	6	E	4	E		6EH8
6CG6	2-6	L	A	6	E	8	A	2-3	6DQ4#	A	3	E	5	E		6EH8
6CG7		L	A	8	E	7	A		6DQ5	A	3	E	1	D	2-4	6EJ7
6CG7		A	A	2	E	4	J		6DQ6	A	8	E	5	E		6EL7
6CG8		A	A	3	E	2	A	2-9	6DR4	A	7	E	6	L	2-4	6EM5
6CG8		A	A	1	E	2	A		6DR7	A	9	E	2	A		6EM7
6CH3#	2-7	A	A	7	E	6	A		6DR7	A	8	E	7	A		6EM7
6CH6	2-8	A	A	3	E	2	A	2-3	6DS4	A	8	E	4	J		6EQ7#
6CH7		A	A	4	E	7	A		6DS5	A	8	E	7	A		6EQ7
6CH7		A	A	2	E	2	A		6DS8	A	2	E	4	J	2-6	6ER5
6CH8		A	A	7	E	7	A	2-8	6DS8	A	3	E	1	L	2-1	6ES5
6CH8		A	A	1	E	8	A	2-6	6DT4#	A	3	E	9	E		6ES6
6CH8	2-3	A	A	2	E	1	L			A	3	E	5	E		6ES8

TUBE TYPE	Sht Test	1	2	3	4	Skt	Sht Test	1	2	3	4	Skt	Sht Test	1	2	3	4	Skt	Sht Test	TUBE TYPE	
6ES8		A	8	E	7	A		A	9	E	10	I		A	3	E	1	E	2-3	6HE5	
6ET6	2-6	A	2	E	1	L		A	6	E	8	A		A	6	E	4	E	2-1	6HE7	
6ET7	2-8	A	6	E	7	A		A	1	E	6	A		A	7	E	6	A	2-6	6HE7	
6ET7#		C	1	E	2	A		A	3	E	2	A		A	2	E	1	I		6HF5	
6ET7#		C	1	E	3	A		A	3	E	4	D		A	3	E	2	A		6HF8	
6EU7		A	4	E	5	B		A	1	E	2	L		A	8	E	7	A		6HF8	
6EU7		A	9	E	8	B		A	3	E	2	A		A	2	E	1	L		6HG5	
6EU8		A	6	E	2	A		A	8	E	7	A		A	1	E	1	L		6HG7	
6EU8	2-9	A	8	E	7	A		A	9	E	2	A		A	3	E	6	A		6HG8	
6EV5		A	7	E	1	L		A	8	E	7	A		A	1	E	2	A		6HG8	
6EV7		A	3	E	2	A		A	2	E	1	L		A	7	E	3	I		6HJ5	
6EV7		A	8	E	7	A		A	7	E	1	L		A	9	E	9	A		6HJ7	
6EW6	2-6	A	2	E	1	L		A	3	E	1	A		A	1	E	1	A		6HJ7	
6EW7		A	8	E	7	A		A	8	E	9	A		A	3	E	2	A		6HJ8	
6EW7		A	2	E	9	A		A	3	E	1	D		A	2	E	2	A		6HJ8#	
6EW8		A	3	E	2	A		A	2	E	1	L		A	7	E	8	A		6HK5	
6EW8		A	8	E	7	A		A	3	E	7	A		A	8	E	7	A		6HK8	
6EX6	2-8	A	3	E	5	D		A	1	E	2	L		A	4	E	5	I		6HL5	
6EY6	2-4	A	8	E	5	D		A	7	E	3	I		A	8	E	7	A		6HL8	
6EZ5	2-4	A	8	E	5	D		A	7	E	3	I		A	7	E	7	A		6HL8	
6EZ8		A	1	E	2	A		A	9	E	10	I		A	8	E	9	A		6HM5	
6EZ8		A	7	E	12	A		A	8	E	1	A		A	2	E	2	A		6HM6	
6EZ8		A	9	E	12	A		A	2	E	3	A		A	5	E	6	L		6HQ5	
6F5		A	8	E	11	D		A	8	E	5	D		A	8	E	5	D		6HR5	
6F6	2-4	A	8	E	5	D		A	3	E	2	O		A	2	E	1	A		6HR6	
6F8		A	4	E	11	D		A	8	E	2	A		A	7	E	8	A		6HR8	
6F8		A	8	E	5	D		A	3	E	5	D		A	2	E	1	L		6HS5	
6F12		A	2	E	1	L		A	8	E	5	D		A	1	E	9	A		6HS6	
6F18	2-7	A	3	E	2	A		A	7	E	3	A		A	4	E	2	I		6HS8	
6F19	2-8	A	3	E	2	A		A	3	E	5	D		A	4	E	5	I		6HT6	
6F20	2-8	A	3	E	2	A		A	3	E	5	D		A	4	E	2	A		6HU6	
6FA7	2-8	A	6	E	7	A		A	8	E	1	A		A	2	E	12	A		6HU8	
6FA7#		C	6	E	3	A		A	4	E	3	I		A	8	E	3	A		6HU8	
6FD6	2-6	A	7	E	1	L		A	2	E	8	A		A	7	E	12	A		6HW8	
6FD7		A	9	E	2	A		A	7	E	3	A		A	7	E	6	A		6HZ6	
6FD7		A	8	E	7	A		A	4	E	8	A		A	7	E	6	A		6HZ8	
6FD10		A	1	E	2	A		A	4	E	3	I		A	2	E	1	L		6HZ8	
6FE5	2-4	A	8	E	5	D		A	3	E	2	K		A	6	E	7	A		6J4	
6FG5	2-6	A	2	E	1	L		A	8	E	9	A		A	2	E	5	L		6J5	
6FG6		B	3	E	1	A		A	7	E	9	A		A	8	E	5	L		6J6	
6FG7		A	3	E	1	A		A	3	E	2	K		A	1	E	5	L		6J6	
6FG7	2-7	A	8	E	9	A		A	1	E	11	I		A	4	E	6	L		6J7	
6FH5	2-6	A	1	E	2	L		A	4	E	9	I		A	8	E	5	L		6J8	
6FH6	2-4	A	8	E	5	D		A	4	E	3	I		A	8	E	5	L		6J8	
6FH8		A	2	E	12	A		A	7	E	9	A		A	8	E	11	D		6J9	
6FH8		A	6	E	12	A		A	3	E	2	A		A	8	E	11	D		6J9	
6FJ7		A	7	E	3	I		A	1	E	10	I		A	3	E	2	A		6J9	
6FJ7		A	9	E	10	I		A	8	E	7	A		A	10	E	9	A		6J9	
6FM7		A	7	E	8	I		A	3	E	3	I		A	3	E	7	A		6J10	
																					6J10
																					6J10



TUBE TYPE	Sht Test	1	2	3	4	Skt	Sht Test	1	2	3	4	Skt	TUBE TYPE	Sht Test	1	2	3	4	Skt	TUBE TYPE	Sht Test	1	2	3	4	Skt	Sht Test
6J11	2-9	A	6	E	5	I	2-9	A	6	E	7	I	6K11	2-9	A	6	E	6	I	6LB8	2-8	A	1	E	2	A	2-8
6J11	2-7	A	8	E	11	I	2-7	A	4	E	9	I	6LB8	2-7	A	6	E	7	A	6M-HH3	2-8	A	7	E	7	L	2-8
6JA8	2-8	A	1	E	2	A	2-8	A	3	E	2	A	6LC6	2-8	A	6	E	5	D	6M-HH3	2-8	A	3	E	5	L	2-8
6JA8	2-1	A	6	E	7	A	2-1	A	3	E	6	A	6LC8	2-3	A	3	E	2	A	6MJ8	2-8	A	3	E	2	I	2-8
6JB6	2-8	A	3	E	2	K	2-8	A	2	E	5	I	6LC8	2-3	A	7	E	1	A	6MJ8	2-8	A	3	E	10	I	2-8
6JC6	2-3	A	1	E	2	A	2-3	A	7	E	2	A	6LD6	2-3	A	1	E	2	A	6MK8	2-8	A	1	E	7	I	2-8
6JC8	2-3	A	1	E	8	A	2-3	A	8	E	9	A	6LD12	2-3	A	7	E	8	A	6N3#	2-1	A	3	E	9	A	2-1
6JC8	2-8	A	1	E	2	A	2-8	A	7	E	2	A	6LD12#	2-3	A	7	E	6	L	6N4	2-1	A	2	E	1	L	2-1
6JD6	2-1	A	1	E	2	A	2-1	A	8	E	9	A	6LD12#	2-2	A	7	E	1	A	6N6	2-1	A	8	E	5	D	2-1
6JE6	2-1	A	3	E	2	K	2-1	A	1	E	7	A	6LD12#	2-3	A	3	E	2	A	6N7	2-1	A	8	E	4	D	2-1
6JE8	2-8	A	1	E	2	A	2-8	A	9	E	1	O	6LE8	2-6	A	3	E	9	A	6N7	2-1	A	8	E	5	D	2-1
6JE8	2-1	A	6	E	7	A	2-1	A	3	E	2	A	6LF8	2-1	A	1	E	2	A	6N8	2-1	A	3	E	5	D	2-1
6JE8	2-6	A	3	E	2	K	2-6	A	3	E	8	A	6LF8	2-8	A	6	E	7	A	6N8#	2-1	A	7	E	8	A	2-1
6JF6	2-1	A	3	E	2	K	2-1	A	3	E	2	A	6LH6	2-1	A	6	E	5	D	6N8#	2-1	A	3	E	8	A	2-1
6JG6	2-6	A	3	E	2	K	2-6	A	3	E	2	A	6LJ8	2-8	A	3	E	9	A	6N8K	2-1	A	3	E	8	A	2-1
6JH6	2-6	A	2	E	1	L	2-6	A	6	E	7	A	6LJ8	2-8	A	3	E	9	A	6N8K#	2-1	A	3	E	7	A	2-1
6JH8	2-6	A	7	E	6	A	2-6	A	6	E	3	A	6LJ8	2-3	A	7	E	5	A	6N8K#	2-1	A	3	E	8	A	2-1
6JK6	2-6	A	2	E	1	L	2-6	A	6	E	5	I	6LM8	2-3	A	7	E	2	A	6N8K#	2-1	A	3	E	8	A	2-1
6JK8	2-6	A	3	E	2	A	2-6	A	2	E	7	A	6LM8	2-3	A	7	E	2	A	6N8K#	2-1	A	3	E	8	A	2-1
6JK8	2-6	A	8	E	7	A	2-6	A	8	E	7	A	6LN8	2-3	A	8	E	9	A	6P5	2-4	A	8	E	5	D	2-4
6JL6	2-3	A	2	E	1	L	2-3	A	1	E	2	A	6LN8	2-2	A	3	E	2	A	6P8G	2-6	A	2	E	5	D	2-6
6JL8	2-8	A	1	E	2	A	2-8	A	6	E	7	A	6LN8	2-8	A	7	E	2	A	6P8G	2-9	A	8	E	5	D	2-9
6JL8	2-8	A	6	E	7	A	2-8	A	6	E	5	L	6LQ6	2-2	A	1	E	2	A	6P8G	2-4	A	2	E	5	D	2-4
6JM6	2-3	A	2	E	5	I	2-3	A	1	E	5	A	6LQ8	2-8	A	3	E	2	A	6P9	2-4	A	2	E	5	D	2-4
6JN6	2-8	A	2	E	7	A	2-8	A	6	E	7	A	6LQ8	2-8	A	6	E	7	A	6P9	2-4	A	2	E	5	D	2-4
6JN8	2-8	A	3	E	1	A	2-8	A	6	E	7	A	6LR8	2-8	A	1	E	9	A	6P9	2-4	A	2	E	5	D	2-4
6JN8	2-7	A	8	E	9	A	2-7	A	1	E	2	A	6LR8	2-8	A	3	E	2	A	6P9	2-4	A	2	E	5	D	2-4
6JS6	2-3	A	2	E	5	I	2-3	A	1	E	7	A	6LT8	2-8	A	7	E	8	A	6P9	2-4	A	2	E	5	D	2-4
6JT6	2-7	A	3	E	2	K	2-7	A	6	E	7	A	6LT8#	2-8	A	7	E	6	A	6P9	2-4	A	2	E	5	D	2-4
6JT8	2-7	A	3	E	2	K	2-7	A	6	E	7	A	6LT8#	2-8	A	7	E	6	A	6P9	2-4	A	2	E	5	D	2-4
6JT8	2-8	A	1	E	2	A	2-8	A	1	E	2	A	6LU8	2-8	A	11	E	10	I	6P9	2-4	A	2	E	5	D	2-4
6JU6	2-1	A	6	E	7	A	2-1	A	3	E	3	A	6LU8	2-8	A	9	E	6	I	6P9	2-4	A	2	E	5	D	2-4
6JU8#	2-1	A	3	E	2	K	2-1	A	3	E	2	A	6LX8	2-1	A	8	E	9	A	6P9	2-4	A	2	E	5	D	2-4
6JU8#	2-1	A	2	E	1	A	2-1	A	1	E	2	A	6LX8	2-8	A	7	E	2	A	6P9	2-4	A	2	E	5	D	2-4
6JU8#	2-8	A	3	E	2	A	2-8	A	6	E	7	A	6LY8	2-8	A	1	E	2	A	6P9	2-4	A	2	E	5	D	2-4
6JU8#	2-8	A	8	E	7	A	2-8	A	2	E	1	A	6LY8	2-8	A	6	E	7	A	6P9	2-4	A	2	E	5	D	2-4
6JU8#	2-8	A	9	E	8	A	2-8	A	8	E	9	A	6M2	2-8	A	8	E	4	D	6P9	2-4	A	2	E	5	D	2-4
6JV8	2-8	A	1	E	2	A	2-8	A	1	E	2	A	6M3#	2-8	A	11	E	3	F	6P9	2-4	A	2	E	5	D	2-4
6JV8	2-8	A	6	E	7	A	2-8	A	1	E	9	A	6M5	2-7	A	3	E	2	A	6P9	2-4	A	2	E	5	D	2-4
6JW8	2-3	A	8	E	9	A	2-3	A	3	E	2	A	6M6	2-7	A	8	E	5	D	6P9	2-4	A	2	E	5	D	2-4
6JW8	2-3	A	7	E	2	A	2-3	A	3	E	2	A	6M11	2-7	A	10	E	2	I	6P9	2-4	A	2	E	5	D	2-4
6JX8	2-7	A	3	E	9	A	2-7	A	8	E	9	A	6M11	2-4	A	4	E	5	I	6P9	2-4	A	2	E	5	D	2-4
6JX8	2-3	A	3	E	2	A	2-3	A	8	E	8	A	6M11	2-4	A	9	E	8	I	6P9	2-4	A	2	E	5	D	2-4
6JZ6	2-8	A	2	E	5	I	2-8	A	8	E	5	I	6MB8	2-4	A	3	E	1	A	6P9	2-4	A	2	E	5	D	2-4
6JZ8	2-8	A	6	E	9	I	2-8	A	8	E	11	D	6MB8	2-4	A	8	E	1	A	6P9	2-4	A	2	E	5	D	2-4
6JZ8	2-8	A	11	E	10	I	2-8	A	3	E	2	A	6MD8	2-4	A	7	E	6	K	6P9	2-4	A	2	E	5	D	2-4
6K5	2-4	A	8	E	11	D	2-4	A	8	E	7	A	6MD8	2-4	A	7	E	8	K	6P9	2-4	A	2	E	5	D	2-4
6K6	2-4	B	8	E	11	D	2-4	A	8	E	7	A	6MD8	2-4	A	7	E	8	K	6P9	2-4	A	2	E	5	D	2-4
6K7	2-4	A	8	E	11	D	2-4	A	3	E	2	A	6MD8	2-4	A	7	E	9	K	6P9	2-4	A	2	E	5	D	2-4
6K8	2-4	A	8	E	11	D	2-4	A	8	E	7	A	6ME8	2-4	A	7	E	6	K	6P9	2-4	A	2	E	5	D	2-4
6K11	2-4	A	3	E	11	I	2-4	A	2	E	1	L	6MG8	2-3	A	7	E	6	A	6P9	2-4	A	2	E	5	D	2-4

TUBE TYPE	Sht Test	Skt	1	2	3	4	Skt	Sht Test	TUBE TYPE	1	2	3	4	Skt	Sht Test	TUBE TYPE	1	2	3	4	Skt	Sht Test
6S2#		A	A	6	E	11	A		6T8#	A	3	E	2	A		6Y10	A	9	E	8	I	2-10
6S4		A	A	2	E	3	I		6Y10	A	2	E	3	I		6Y10	A	2	E	3	I	2-6
6S7	2-4	D	A	8	E	11	I		6Z7	A	8	E	4	D		6Z7	A	8	E	4	D	
6S8		E	A	2	E	11	I		6Z7	A	8	E	5	D		6Z7	A	8	E	5	D	
6S8#		E	A	2	E	1	I		6Z10	A	3	E	8	I		6Z10	A	3	E	8	I	
6S8#		E	C	2	E	4	I		6Z10	C(S)	8	E	6	I		6Z10	C(S)	8	E	6	I	
6S8#		E	C	2	E	3	I		6ZY5#	A	3	E	11	I		6ZY5#	A	3	E	11	I	
6SA7	2-4	D	A	6	E	5	E		7A4	A	8	E	3	D		7A4	A	8	E	3	D	
6SB7Y	2-4	D	A	6	E	5	D		7A5	A	7	E	6	D		7A5	A	7	E	6	D	
6SC7		E	A	6	E	3	A		7A6#	A	7	E	6	A		7A6#	A	7	E	6	A	
6SC7		E	A	6	E	4	A		7A6#	A	7	E	3	A		7A6#	A	7	E	3	A	
6SD7	2-6	D	A	5	E	4	D		7A7	A	2	E	6	D		7A7	A	2	E	6	D	
6SE7	2-6	D	A	5	E	4	D		7A8	A	7	E	6	D		7A8	A	7	E	6	D	
6SF5		E	A	2	E	3	I		7AB7	A	4	E	5	I		7AB7	A	4	E	5	I	
6SF7	2-4	E	A	3	E	2	I		7AD7	A	7	E	7	I		7AD7	A	7	E	7	I	
6SF7#		E	A	3	E	5	I		7AF7	A	7	E	9	I		7AF7	A	7	E	9	I	
6SG7	2-6	D	A	3	E	4	D		7AF7	A	2	E	9	I		7AF7	A	2	E	9	I	
6SH7	2-6	D	A	3	E	4	D		7AG7	A	7	E	9	I		7AG7	A	7	E	9	I	
6SH8		A	A	7	E	1	A		7AH7	A	7	E	7	A		7AH7	A	7	E	7	A	
6SJ7	2-6	D	A	5	E	4	D		7AJ7	A	7	E	12	A		7AJ7	A	7	E	12	A	
6SK7	2-6	D	A	5	E	4	D		7AK7	A	7	E	5	E		7AK7	A	7	E	5	E	
6SL7		E	A	3	E	1	E		7AN7	A	7	E	11	E		7AN7	A	7	E	11	E	
6SL7		E	A	6	E	4	E		7AN7	A	1	E	4	D		7AN7	A	1	E	4	D	
6SN7		E	A	3	E	1	E		7AN7	A	7	E	5	D		7AN7	A	7	E	5	D	
6SN7		E	A	6	E	4	E		7AU7	A	3	E	6	D		7AU7	A	3	E	6	D	
6SQ7		E	A	3	E	1	E		7AU7	A	7	E	6	D		7AU7	A	7	E	6	D	
6SQ7#		E	A	3	E	2	E		7B4	A	8	E	2	A		7B4	A	8	E	2	A	
6SQ7#		E	C	3	E	4	E		7B5	A	7	E	9	A		7B5	A	7	E	9	A	
6SR7	2-6	E	A	3	E	5	E		7B6	A	7	E	7	A		7B6	A	7	E	7	A	
6SR7#		E	A	3	E	2	E		7B6#	A	7	E	3	A		7B6#	A	7	E	3	A	
6SR7#		E	A	3	E	4	E		7B6#	C	7	E	8	C		7B6#	C	7	E	8	C	
6SS7		E	A	5	E	5	E		7B7	B	7	E	5	E		7B7	B	7	E	5	E	
6ST7		E	A	3	E	4	E		7B8	A	7	E	3	E		7B8	A	7	E	3	E	
6ST7#		E	A	3	E	2	E		7C4#	B	7	E	5	E		7C4#	B	7	E	5	E	
6ST7#		E	C	3	E	4	E		7C5	A	7	E	5	E		7C5	A	7	E	5	E	
6SU7	2-4	E	A	3	E	5	E		7C6	A	7	E	11	D		7C6	A	7	E	11	D	
6SU7		E	A	3	E	1	E		7C6#	C	7	E	1	L		7C6#	C	7	E	1	L	
6SV7		E	A	6	E	4	E		7C6#	C	7	E	6	L		7C6#	C	7	E	6	L	
6SV7#		E	A	3	E	2	E		7C7	A	7	E	3	D		7C7	A	7	E	3	D	
6SZ7		E	A	3	E	5	E		7D7	A	2	E	5	D		7D7	A	2	E	5	D	
6SZ7		E	A	3	E	2	E		7D9	A	3	E	7	A		7D9	A	3	E	7	A	
6SZ7		E	A	3	E	4	E		7DE7	A	2	E	3	A		7DE7	A	2	E	3	A	
6T4		E	A	5	E	6	E		7DJ8	A	3	E	10	C		7DJ8	A	3	E	10	C	
6T7		E	A	3	E	5	E		7DJ8	A	8	E	12	C		7DJ8	A	8	E	12	C	
6T7#		E	A	8	E	5	E		7E6	A	7	E	5	D		7E6	A	7	E	5	D	
6T7#		E	A	8	E	4	E		7E6#	A	7	E	5	D		7E6#	A	7	E	5	D	
6T8		E	A	8	E	8	E		7E6#	C	7	E	4	D		7E6#	C	7	E	4	D	
6T8#		E	A	7	E	5	E		7E7	C	7	E	5	D		7E7	C	7	E	5	D	
6T8#		E	A	7	E	1	E		7E7#	C	7	E	5	D		7E7#	C	7	E	5	D	
6T8#		E	A	7	E	8	E															

TUBE TYPE	Sht Test	1	2	3	4	Skt	Sht Test	1	2	3	4	Skt	Sht Test	1	2	3	4	Skt	Sht Test	1	2	3	4	Skt	Sht Test
8AC9	2-10	A	8	E	9	I	2-4	A	1	E	9	A	2-2	A	1	E	9	A	2-2	A	1	E	9	A	2-8
8AR11	2-3	A	6	E	5	I	2-1	A	7	E	8	A		A	8	E	8	A		A	8	E	8	A	2-7
8AR11	2-9	A	11	E	10	I		A	7	E	6	A		A	3	E	2	A		A	3	E	2	A	2-8
8AU8	2-8	A	1	E	2	A	2-9	A	8	E	7	A	2-7	A	2	E	3	A	2-7	A	2	E	3	A	2-6
8AU8	2-8	A	6	E	7	A		A	2	E	1	A		A	3	E	1	A		A	3	E	1	A	2-3
8AW8	2-8	A	1	E	2	A		A	6	E	7	A		A	8	E	4	A		A	8	E	4	A	2-3
8AW8	2-8	A	6	E	7	A		A	7	E	3	A		A	2	E	4	A		A	2	E	4	A	2-4
8B8	2-7	A	8	E	1	A		A	6	E	7	A		A	7	E	3	A		A	7	E	3	A	2-8
8B8		A	2	E	3	A		C	1	E	2	A		A	1	E	10	A		A	1	E	10	A	2-3
8B10		A	2	E	3	I		C	1	E	3	A		A	2	E	3	A		A	2	E	3	A	2-3
8B10		A	7	E	5	I		C	3	E	2	A		A	8	E	10	A		A	8	E	10	A	2-4
8B10#		A	9	E	8	I		A	8	E	7	A		A	7	E	2	A		A	7	E	2	A	2-8
8B10#		A	9	E	10	I		A	1	E	2	A		A	7	E	2	A		A	7	E	2	A	2-8
8BA8		A	1	E	2	A	2-7	A	7	E	9	A	2-3	A	7	E	6	A	2-3	A	7	E	6	A	2-8
8BA8		A	6	E	7	A		A	7	E	2	A		A	7	E	2	A		A	7	E	2	A	2-8
8BA11	2-8	A	8	E	4	I		A	1	E	2	A		A	7	E	2	A		A	7	E	2	A	2-7
8BA11	2-3	A	4	E	9	I		A	1	E	2	A		A	7	E	2	A		A	7	E	2	A	2-7
8BA11	2-9	A	10	E	9	I		A	6	E	7	A		A	3	E	7	A		A	3	E	7	A	2-10
8BH8	2-8	A	1	E	2	A		A	3	E	2	A		A	8	E	2	A		A	8	E	2	A	2-9
8BH8	2-8	A	6	E	7	A		A	8	E	7	A		A	3	E	7	A		A	3	E	7	A	2-9
8BM11	2-3	A	5	E	6	I		A	1	E	9	A		A	3	E	6	A		A	3	E	6	A	2-9
8BM11	2-9	A	10	E	11	I		A	5	E	11	A		A	5	E	11	A		A	5	E	11	A	2-9
8BN8		A	9	E	8	A	2-7	A	5	E	6	A	2-6	A	5	E	6	A	2-6	A	5	E	6	A	2-9
8BN8#		A	3	E	6	A		A	3	E	6	A		A	3	E	6	A		A	3	E	6	A	2-9
8BN8#		A	2	E	1	A	2-9	A	2	E	1	A	2-6	A	2	E	1	A	2-6	A	2	E	1	A	2-9
8BN11	2-9	A	8	E	7	I		A	8	E	7	A		A	8	E	7	A		A	8	E	7	A	2-9
8BN11	2-4	A	2	E	7	I		A	8	E	7	A		A	8	E	7	A		A	8	E	7	A	2-9
8BN11	2-9	A	2	E	3	I		A	8	E	3	A		A	8	E	3	A		A	8	E	3	A	2-9
8BQ5		A	3	E	2	A		A	3	E	2	A		A	3	E	2	A		A	3	E	2	A	2-9
8BQ7		A	3	E	2	A		A	3	E	2	A		A	3	E	2	A		A	3	E	2	A	2-9
8BQ7		A	8	E	7	A		A	8	E	7	A		A	8	E	7	A		A	8	E	7	A	2-9
8BQ11	2-3	A	6	E	5	I		A	6	E	5	I		A	6	E	5	I		A	6	E	5	I	2-9
8BQ11	2-9	A	11	E	10	I		A	6	E	10	I		A	6	E	10	I		A	6	E	10	I	2-9
8BU11		A	2	E	4	I		A	1	E	4	I		A	1	E	4	I		A	1	E	4	I	2-9
8BU11		A	5	E	6	I		A	2	E	6	I		A	2	E	6	I		A	2	E	6	I	2-8
8BU11	2-9	A	11	E	8	I		A	3	E	8	I		A	3	E	8	I		A	3	E	8	I	2-8
8CG7		A	3	E	2	A		A	3	E	2	A		A	3	E	2	A		A	3	E	2	A	2-9
8CG7		A	8	E	7	A		A	8	E	7	A		A	8	E	7	A		A	8	E	7	A	2-9
8CM7		A	3	E	7	A		A	3	E	7	A		A	3	E	7	A		A	3	E	7	A	2-9
8CM7		A	9	E	8	A		A	9	E	8	A		A	9	E	8	A		A	9	E	8	A	2-9
8CN7		A	6	E	7	A		A	6	E	7	A		A	6	E	7	A		A	6	E	7	A	2-9
8CN7#		A	3	E	1	A		A	3	E	1	A		A	3	E	1	A		A	3	E	1	A	2-9
8CN7#		A	3	E	2	A		A	3	E	2	A		A	3	E	2	A		A	3	E	2	A	2-9
8CS7	2-9	A	9	E	3	A		A	9	E	3	A		A	9	E	3	A		A	9	E	3	A	2-1
8CS7		A	8	E	7	A		A	8	E	7	A		A	8	E	7	A		A	8	E	7	A	2-1
8CW5		A	3	E	2	A		A	3	E	2	A		A	3	E	2	A		A	3	E	2	A	2-1
8CX8		A	1	E	2	A		A	1	E	2	A		A	1	E	2	A		A	1	E	2	A	2-1
8CX8		A	6	E	7	A		A	6	E	7	A		A	6	E	7	A		A	6	E	7	A	2-1
8CY7	2-8	A	8	E	7	A		A	8	E	7	A		A	8	E	7	A		A	8	E	7	A	2-1
8CY7		A	9	E	7	A		A	9	E	7	A		A	9	E	7	A		A	9	E	7	A	2-1
8D3	2-7	A	2	E	3	L		A	2	E	3	L		A	2	E	3	L		A	2	E	3	L	2-3



TUBE TYPE	1	2	3	4	Skt	Sht Test	TUBE TYPE	1	2	3	4	Skt	Sht Test
10GK6	A	1	F	2	A	2-8	12AS5	A	1	F	2	L	2-6
10GN8	A	1	F	2	A	2-8	12AT6	A	2	F	1	L	2-6
10GN8	A	6	F	7	I	2-8	12AT6#	C	2	F	5	L	2-6
10GV8	A	3	F	2	I	2-8	12AT6#	C	2	F	6	L	2-6
10GV8	A	8	F	9	A	2-8	12AT7	A	3	F	2	A	2-8
10HA6	A	1	F	2	A	2-8	12AT7	A	8	F	7	A	2-8
10HF8	A	1	F	2	A	2-8	12AT7	A	3	F	7	A	2-8
10HF8	A	6	F	7	A	2-8	12AU5	A	3	F	1	D	2-8
10HF8	A	6	F	7	A	2-2	12AU6	A	7	F	1	L	2-6
10J10	A	3	F	11	I	2-8	12AU7	A	3	F	2	A	2-8
10J10	C(S)	8	F	6	I	2-8	12AU7	A	8	F	7	A	2-8
10JA8	A	1	F	2	A	2-8	12AU8	A	1	F	2	A	2-8
10JA8	A	6	F	7	A	2-3	12AU8	A	6	F	7	A	2-8
10JT8	A	1	F	2	A	2-9	12AV5	A	3	F	1	D	2-8
10JT8	A	1	F	2	A	2-4	12AV6	A	2	F	1	L	2-6
10JY8	A	1	F	7	A	2-6	12AV6#	C	2	F	5	L	2-6
10JY8	A	6	F	7	A	2-8	12AV6#	C	2	F	6	L	2-6
10KR8	A	1	F	2	A	2-8	12AV7	A	3	F	2	A	2-8
10KR8	A	6	F	7	A	2-6	12AV7	A	8	F	7	A	2-6
10KU8	A	6	F	7	A	2-8	12AV7	A	2	F	7	A	2-8
10KU8#	B	1	F	2	A	2-6	12AW6	A	7	F	1	L	2-6
10KU8#	B	1	F	3	A	2-6	12AX3#	A	7	F	4	I	2-6
10L14	A	3	G	2	A	2-6	12AX4#	A	3	F	5	E	2-6
10L14	A	8	G	7	A	2-6	12AX5#	A	8	F	3	D	2-8
10LB8	A	1	F	2	A	2-6	12AX5#	A	8	F	7	A	2-6
10LB8	A	6	F	7	A	2-6	12AX7	A	8	F	7	A	2-6
10LD12	A	7	G	8	A	2-6	12AX7	A	3	F	2	A	2-6
10LD12#	A	7	G	6	A	2-6	12AX12	A	1	F	2	A	2-6
10LD12#	A	7	G	7	A	2-10	12AY3#	A	9	F	7	A	2-10
10LD12#	A	3	G	1	A	2-6	12AY7	A	3	F	2	A	2-6
10LD12#	A	3	G	2	A	2-6	12AY7	A	8	F	7	A	2-6
10LD14	A	8	G	7	A	2-6	12AY7	A	3	F	7	A	2-6
10LD14	A	3	G	9	A	2-6	12AZ7	A	8	F	7	A	2-6
10LE8	A	1	F	2	A	2-6	12AZ7	A	1	F	2	A	2-6
10LW8	A	6	F	7	A	2-6	12B4	A	7	F	6	H	2-3
10LW8	A	1	F	2	A	2-8	12B7	A	6	F	8	D	2-4
10LZ8	A	1	F	7	A	2-8	12B8	A	1	F	11	D	2-6
10LZ8	A	6	F	7	A	2-8	12B8	A	7	F	8	D	2-6
10P18	A	3	H	2	A	2-9	12BA6	A	1	F	1	L	2-4
10PL12	A	8	H	1	A	2-7	12BA7	A	3	F	2	A	2-6
10PL12	A	2	H	3	A	2-7	12B-B14	A	3	F	1	O	2-6
11AR11	A	6	F	5	I	2-3	12BD5	A	7	F	1	L	2-8
11AR11	A	11	F	10	I	2-9	12BD6	A	7	F	1	L	2-6
11BM8	A	8	F	1	A	2-1	12BE3#	A	7	F	10	I	2-6
11BM8	A	2	F	3	A	2-7	12BE6	A	2	F	1	L	2-6
11BQ11	A	6	F	5	I	2-3	12BE8	A	8	F	1	A	2-6
11BQ11	A	11	F	10	I	2-9	12BE8	A	2	F	9	A	2-7
11BT11	A	8	F	11	I	2-10	12BF6	A	2	F	1	L	2-7
11BT11	A	6	F	5	I	2-6	12BF6#	D	2	F	5	L	2-6
11BT11	A	4	F	3	I	2-6	12BF6#	D	2	F	6	L	2-6
11C5	A	1	F	2	L	2-6	12BF11	A	2	F	3	I	2-6

TUBE TYPE	1	2	3	4	Skt	Sht Test	TUBE TYPE	1	2	3	4	Skt	Sht Test
12BH7	A	3	F	2	A	2-6	11CY7	A	9	F	3	A	2-8
12BH7	A	8	F	7	A	2-6	11CY7	A	8	F	7	A	2-8
12BH11	A	2	F	1	L	2-6	11FY7	A	7	F	3	I	2-8
12BH11	A	5	F	6	L	2-6	11FY7	A	9	F	10	I	2-8
12BH11	A	11	F	8	I	2-9	11HM7	A	1	F	2	A	2-8
12BK5	A	6	F	7	A	2-8	11JE8	A	1	F	2	A	2-8
12BK6	A	2	F	7	A	2-8	11JE8	A	6	F	7	A	2-8
12BK6#	C	2	F	1	D	2-6	11KV8	A	1	F	2	A	2-8
12BK6#	C	2	F	1	L	2-6	11KV8	A	6	F	7	A	2-8
12BL6	A	2	F	2	A	2-8	11LQ8	A	1	F	2	A	2-8
12BL7	A	7	F	7	A	2-8	11LQ8	A	6	F	7	A	2-8
12BL7	A	6	F	2	A	2-8	11Y9	A	2	F	1	C	2-3
12BL7	A	3	F	7	A	2-8	11Y9	A	7	F	8	C	2-9
12BM5	A	2	F	1	D	2-8	12A4	A	1	F	2	A	2-4
12BN6	B(S)	1	F	1	L	2-6	12A6	A	8	F	5	D	2-6
12BQ6	A	8	F	5	L	2-6	12A8	A	8	F	5	D	2-6
12BR3#	A	11	F	6	L	2-8	12AB5	A	7	F	3	A	2-8
12BR7	A	3	F	2	A	2-8	12AC6	A	7	F	1	L	2-8
12BR7#	A	8	F	7	A	2-6	12AD5	A	7	F	2	A	2-8
12BR7#	A	8	F	7	A	2-6	12AD6	A	2	F	1	L	2-8
12BS3#	A	9	F	1	L	2-6	12AD7	A	3	F	2	A	2-8
12BT3#	A	7	F	4	I	2-6	12AD7	A	8	F	7	A	2-8
12BT6	A	2	F	5	E	2-6	12AE6	A	2	F	1	L	2-8
12BT6#	C	2	F	3	D	2-6	12AE6#	A	3	F	2	A	2-8
12BT6#	C	2	F	7	A	2-6	12AE7	A	2	F	6	L	2-8
12BU6	A	2	F	2	A	2-6	12AE7	A	8	F	2	A	2-8
12BU6#	C	2	F	2	A	2-6	12AE10	A	2	F	7	A	2-6
12BU6#	C	2	F	7	A	2-6	12AE10	A	9	F	8	I	2-10
12BV7	A	1	F	2	A	2-8	12AE10	A	11	F	9	I	2-10
12BV11	A	8	F	7	A	2-8	12AF3#	A	5	F	2	L	2-6
12BV11	A	5	F	2	A	2-8	12AF4	A	7	F	1	L	2-6
12BW4#	A	9	F	7	A	2-6	12AF6	A	2	F	1	L	2-6
12BW4#	A	9	F	2	A	2-6	12AG6	A	2	F	1	L	2-6
12BX6	A	3	F	6	H	2-3	12AH7	A	4	F	5	E	2-1
12BY7	A	1	F	8	D	2-4	12AH7	A	3	F	7	A	2-1
12BZ6	A	2	F	1	L	2-6	12AH8	A	3	F	2	A	2-1
12BZ7	A	3	F	2	A	2-6	12AH8	A	3	F	3	A	2-1
12BZ7	A	8	F	7	A	2-6	12AJ6	A	2	F	1	L	2-7
12C5	A	1	F	1	O	2-6	12AJ6#	A	2	F	5	L	2-7
12C8	A	8	F	1	L	2-8	12AJ6#	A	2	F	6	L	2-3
12C8#	C	8	F	1	L	2-6	12AJ7	A	3	F	9	A	2-9
12CA5	A	1	F	1	L	2-6	12AJ7	A	3	F	2	A	2-9
12CB6	A	2	F	1	L	2-6	12AJ7	A	3	F	2	A	2-9
12CD6	A	3	F	9	A	2-7	12AL5#	A	5	F	2	L	2-7
12CK3#	A	9	F	1	L	2-7	12AL5#	A	1	F	7	L	2-3
12CL3#	A	9	F	5	L	2-6	12AL8	A	9	F	8	A	2-9
12CM6	A	7	F	6	L	2-6	12AL8	A	7	F	3	A	2-10
12CN5	A	1	F	3	I	2-6	12AL11	A	2	F	3	I	2-10
12CR6	A	1	F	8	I	2-10	12AL11	A	9	F	8	I	2-6



TUBE TYPE	Sht Test	Skt	1	2	3	4
12CR6#			D	1	F	2
12CS5	2-1	L	A	2	F	3
12CS6	2-6	A	A	2	F	1
12CS7		L	A	9	F	3
12CS7		A	A	8	F	7
12CT8		A	A	3	F	2
12CT8	2-7	A	A	9	F	8
12CU5	2-6	L	A	1	F	2
12CU6	2-4	D	A	8	F	5
12CX6	2-6	L	A	7	F	1
12D4#		E	A	3	F	5
12D8		A	A	9	F	3
12D8	2-1	A	A	2	F	3
12DA6	2-8	A	A	3	F	2
12DB5	2-1	A	A	2	F	3
12DE8	2-8	A	A	9	F	1
12DE8#		A	A	2	F	3
12DF5#		A	A	3	F	1
12DF5#		A	A	8	F	6
12DF7		A	A	3	F	2
12DF7		A	A	8	F	7
12DJ8		A	A	3	F	2
12DJ8		A	A	8	F	7
12DK6	2-6	L	A	2	F	1
12DK7	2-3	A	A	2	F	1
12DK7#		A	A	2	F	6
12DK7#		A	A	2	F	9
12DL8		A	A	2	F	3
12DL8#	2-7	A	A	8	F	1
12DL8#		A	A	8	F	9
12DM4#		E	A	3	F	5
12DM5	2-6	L	A	1	F	2
12DM7		A	A	3	F	2
12DM7		A	A	8	F	7
12DQ4#		E	A	3	F	5
12DQ6		D	A	8	F	5
12DQ7	2-4	A	A	1	F	2
12DS7	2-8	A	A	8	F	3
12DS7#	2-7	A	A	8	F	3
12DS7#		A	A	8	F	8
12DT5	2-1	A	A	7	F	6
12DT6	2-6	L	A	2	F	1
12DT7		A	A	3	F	2
12DT7		A	A	8	F	7
12DT8		A	A	3	F	2
12DT8		A	A	8	F	7
12DU7		A	A	2	F	1
12DU7#	2-3	A	A	2	F	7
12DU7#		A	A	2	F	9
12DV7		A	A	8	F	7

TUBE TYPE	Sht Test	Skt	1	2	3	4
12DV7#		A	C	1	F	2
12DV7#	2-7	A	C	1	F	3
12DV8		A	A	2	F	3
12DV8#		A	A	8	F	1
12DV8#		A	A	8	F	9
12DW4#	2-1	K	A	7	F	7
12DW5		A	A	6	F	6
12DW7		A	A	3	F	2
12DW7		A	A	8	F	7
12DW8		A	A	3	F	2
12DW8		A	A	8	F	7
12DW8#		A	A	8	F	9
12DY7		A	A	7	F	7
12DY8		A	A	2	F	9
12DY8	2-3	A	A	7	F	1
12DZ6	2-6	L	A	7	F	1
12DZ8		A	A	8	F	1
12DZ8	2-7	A	A	2	F	3
12E5		D	A	8	F	5
12EA6	2-6	L	A	7	F	1
12EC8		A	A	3	F	1
12EC8		A	A	8	F	1
12ED5	2-7	L	A	1	F	9
12EF6	2-6	L	A	1	F	2
12EG6	2-4	D	A	2	F	5
12EH5	2-6	L	A	1	F	1
12EK6	2-6	L	A	7	F	2
12EL6		L	A	7	F	1
12EL6#		L	A	7	F	1
12EL6#		L	A	7	F	5
12EM5		L	A	7	F	6
12EM6		L	A	7	F	3
12EM6#	2-1	A	A	2	F	1
12EN6	2-3	A	A	2	F	9
12EQ7#		A	A	8	F	5
12EQ7	2-4	D	A	3	F	8
12EZ6	2-6	A	A	7	F	2
12F5	2-6	L	A	8	F	1
12F8		D	A	7	F	11
12F8#	2-2	A	A	8	F	8
12F8#		A	A	7	F	6
12FA6		A	A	7	F	1
12FK6	2-6	L	A	2	F	1
12FK6#		L	A	2	F	1
12FK6#		L	A	2	F	5
12FK6#		L	A	2	F	6
12FM6		L	A	2	F	1
12FM6#		L	A	2	F	5
12FM6#		L	A	2	F	6
12FQ7		A	A	3	F	2

TUBE TYPE	Sht Test	Skt	1	2	3	4
12FQ7		A	A	8	F	7
12FQ8		A	A	9	F	2
12FQ8		A	A	9	F	7
12FR8		A	A	2	F	1
12FR8	4-6	A	A	3	F	12
12FR8#		A	A	2	F	8
12FV7		A	A	3	F	2
12FV7		A	A	8	F	7
12FX5		L	A	1	F	2
12FX8#	2-6	A	A	6	F	12
12FX8		A	A	7	F	2
12FY8	2-1	A	A	8	F	2
12FY8		A	A	2	F	7
12G4	2-7	L	A	7	F	3
12G8		A	A	2	F	6
12G8		A	A	7	F	3
12G11		A	A	2	F	8
12G11	2-7	I	A	3	F	3
12GA6	2-10	I	A	8	F	8
12G-B3	2-6	L	A	2	F	1
12GB5	2-4	D	A	8	F	5
12GC5	2-6	O	A	3	F	2
12GC6	2-1	A	A	7	F	3
12GC6	2-8	A	A	3	F	5
12GE5	2-2	I	A	4	F	3
12GJ5	2-1	K	A	3	F	2
12GK17#		E	A	3	F	5
12GN6	2-6	L	A	2	F	1
12GN6#		L	A	2	F	7
12GN7		L	A	2	F	1
12GT5	2-8	A	A	1	F	2
12GW6	2-1	K	A	3	F	2
12H4	2-4	D	A	8	F	5
12H6#		L	A	7	F	6
12H6#		L	A	4	F	3
12HE7		D	A	8	F	5
12HE7	2-11	I	A	4	F	2
12HG7	2-8	I	A	1	F	9
12HL5	2-9	C	A	3	F	2
12HL7	2-8	A	A	1	F	2
12J5		A	A	8	F	5
12J7		A	A	8	F	11
12J8	2-4	A	A	2	F	1
12J8#	2-3	A	A	7	F	8
12J8#		A	A	7	F	9
12JB6	2-1	K	A	7	F	2
12JN6	2-8	I	A	3	F	11
12JN8		A	A	2	F	1
12JN8	2-7	A	A	3	F	9
12JS6	2-3	I	A	8	F	5

TUBE TYPE	Sht Test	Skt	1	2	3	4
12JT6		K	A	3	F	2
12JZ8	2-7	I	A	6	F	9
12JZ8	2-8	I	A	11	F	10
12K5		L	A	1	F	6
12K7	2-2	D	A	8	F	11
12K8	2-4	D	A	8	F	5
12KL8	2-4	D	A	3	F	2
12KL8#	2-6	A	A	3	F	8
12L6		A	A	8	F	5
12MD8	2-4	D	A	7	F	6
12MD8		K	A	7	F	8
12MD8		K	A	7	F	9
12Q7		D	A	8	F	11
12Q7#		D	A	8	F	4
12Q7#		D	A	8	F	5
12R5	2-6	L	A	1	F	2
12R-K19#		A	A	11	F	9
12R-LL5		A	A	3	F	2
12R-LL5		A	A	8	F	7
12S8		A	A	2	F	11
12S8#		D	A	2	F	1
12S8#		D	A	2	F	4
12S8#		D	A	2	F	3
12SA7	2-4	D	A	6	F	5
12SB7	2-4	D	A	6	F	5
12SC7		E	A	6	F	3
12SC7		E	A	6	F	4
12SF5		E	A	2	F	3
12SF7		E	A	3	F	2
12SF7#		E	A	3	F	5
12SG7	2-6	D	A	3	F	4
12SH7	2-6	E	A	3	F	4
12SJ7		E	A	5	F	4
12SK7		E	A	5	F	4
12SL7		E	A	3	F	4
12SL7		E	A	6	F	1
12SN7	2-11	E	A	3	F	4
12SN7	2-8	E	A	6	F	1
12SN7	2-9	E	A	3	F	4
12SQ7	2-8	E	A	3	F	2
12SQ7#		E	A	3	F	4
12SQ7#	2-4	E	A	3	F	5
12SR7	2-3	E	A	3	F	2
12SR7#		E	A	3	F	4
12SR7#		E	A	3	F	5
12SW7	2-1	E	A	3	F	2
12SW7#	2-8	E	A	3	F	4
12SW7#		E	A	3	F	5
12SX7	2-7	E	A	3	F	1
12SX7	2-3	E	A	6	F	4

TUBE TYPE	1	2	3	4	Skt	Sht Test	TUBE TYPE	1	2	3	4	Skt	Sht Test
14Y7	A	3	G	2	A	2-1	17B-E14	A	3	F	1	O	2-6
15A6	A	3	F	2	A	2-1	17BD11	A	7	F	3	I	
15A8	A	1	F	3	A		17BD11	A	5	F	6	I	
15A8	A	6	F	4	A	2-5	17BD11	A	9	F	11	I	
15AF11	A	7	F	3	I		17BE3#	A	2	F	3	I	2-6
15AF11	A	5	F	6	I		17BF11	A	9	F	8	I	2-10
15AF11	A	9	F	11	I	2-10	17BF11	A	9	F	7	I	
15BD11	A	7	F	3	I		17BH3#	A	9	F	7	K	
15BD11	A	5	F	6	I		17BQ6	A	8	F	5	D	2-4
15ED11	A	9	F	11	I	2-10	17BR3#	A	11	F	9	A	
15CW4	A	3	F	2	A	2-9	17BS3#	A	9	F	7	K	
15CW5	A	3	F	2	A	2-9	17BY7	A	1	F	2	A	2-8
15DQ8	A	3	F	1	A	2-9	17BZ3#	A	7	F	4	I	
15DQ8	A	7	F	8	A	2-9	17C5	A	1	F	2	L	2-6
15EA7	A	7	F	1	E		17C8	A	3	F	2	A	2-1
15EA7	A	6	F	4	E		17C8#	B	3	F	7	A	
15EW6	A	2	F	1	L	2-6	17C8#	B	3	F	8	A	
15EW7	A	8	F	7	A		17C9	A	10	F	1	A	2-2
15EW7	A	2	F	9	A		17C9	A	6	F	7	A	2-8
15FM7	A	7	F	8	A		17CA5	A	1	F	2	A	2-6
15FM7	A	9	F	10	I		17CK3#	A	9	F	2	L	2-8
15FO7	A	1	F	2	I		17CL3#	A	9	F	7	A	2-6
15FY7	A	7	F	3	I		17CU5	A	1	F	2	L	2-6
15FY7	A	9	F	10	I		17D4#	A	3	F	5	E	
15HA6	A	1	F	2	A	2-6	17DE4#	A	3	F	5	E	
15HB6	A	1	F	2	A	2-6	17DG6	A	8	F	5	E	
15HG8	A	3	F	6	A		17DM4#	A	3	F	5	D	2-4
15HG8	A	1	F	2	A	2-9	17DQ4#	A	3	F	5	E	
15KY8	A	1	F	9	K		17DQ6	A	8	F	5	E	
15KY8	A	3	F	2	K	2-7	17DW4#	A	9	F	7	D	2-4
15LE8	A	3	F	9	A		17EW8	A	3	F	2	K	
16A5	A	3	F	2	A	2-9	17EW8	A	8	F	7	A	
16A8	A	8	F	1	A		17FY7	A	7	F	3	I	
16A8	A	2	F	3	A	2-7	17FY7	A	9	F	10	I	
16AQ3#	A	11	F	9	A		17GE5	A	4	F	3	I	2-2
16GK6	A	1	F	2	A	2-8	17GJ5	A	3	F	2	K	2-1
16GK8	A	8	F	1	A		17GT5	A	3	F	2	K	2-1
16GK8	A	2	F	3	A	2-7	17GT6	A	1	F	2	A	2-3
16GY5	A	4	F	5	I	2-3	17GV5	A	4	F	5	I	2-4
16KA6	A	10	F	5	I	2-3	17GW6	A	8	F	5	I	2-3
16Y9	A	2	F	1	C	2-3	17GY5	A	4	F	5	I	2-3
16Y9	A	7	F	8	C	2-9	17H3#	A	1	F	3	I	2-6
17AB10	A	3	F	11	I	2-2	17H-B25	A	9	F	1	O	
17AB10	C(S)	8	F	6	I		17HC8	A	8	F	1	A	2-7
17AU5	A	3	F	1	D	2-8	17HC8	A	2	F	3	A	2-1
17AV5	A	3	F	1	D	2-8	17JB6	A	3	F	2	K	2-1
17AX3#	A	7	F	4	I		17JG6	A	3	F	2	K	2-1
17AX4#	A	3	F	5	E		17JK8	A	3	F	2	K	
17AY3#	A	9	F	7	K		17JK8	A	8	F	7	A	

TUBE TYPE	1	2	3	4	Skt	Sht Test	TUBE TYPE	1	2	3	4	Skt	Sht Test
12SY7	A	6	F	5	D	2-4	14BL11	A	8	F	11	I	2-10
12T10	A	2	F	3	I	2-6	14DL11	A	6	F	5	I	
12T10	A	9	F	8	I	2-10	14BL11	A	4	F	3	I	2-3
12U7	B	3	F	2	A		14BQ11	A	6	F	5	I	2-9
12U7	B	8	F	7	A		14BQ11	A	11	F	10	I	
12V6	A	8	F	5	D	2-4	14BR11	A	5	F	8	I	2-3
12W6	A	8	F	5	D	2-4	14BR11	A	7	F	10	I	2-3
12X4#	A	7	F	1	L		14C5	A	4	F	2	I	2-3
12X4#	A	7	F	6	L		14C7	A	7	F	6	H	
13CM5	A	8	F	5	D	2-4	14DA7	A	7	F	6	H	
13CW4	A	8	F	4	J		14DA7	B	9	F	3	A	
13CW9	A	1	F	2	A		14DA7	B	8	F	7	A	
13D1	A	6	F	4	E		14E6	A	7	F	3	H	
13D1	A	3	G	1	E		14E6#	C	7	F	5	H	
13D2	A	3	E	1	E		14E6#	C	7	F	6	H	
13D2	A	6	E	4	E		14E7	A	7	F	6	H	
13D3	A	8	F	7	E		14E7#	C	7	F	3	H	
13D3	A	3	F	2	A		14E7#	C	7	F	4	H	
13DE7	A	9	F	2	A		14F7	A	2	F	4	H	
13DE7	A	8	F	7	A		14F7	A	7	F	5	H	
13DR7	A	9	F	2	A		14G6	A	3	F	2	A	
13DR7	A	8	F	7	A		14G6#	A	3	F	8	A	
13EM7	A	3	F	1	E		14G6#	A	3	F	6	A	2-5
13EM7	A	6	F	4	E		14GT8	B	7	F	8	A	
13FD7	A	9	F	2	A		14GT8#	A	1	F	6	A	
13FD7	A	8	F	7	A		14GT8#	A	3	F	2	A	
13FM7	A	7	F	8	I	2-3	14GW8	A	2	F	1	A	
13FR7	A	9	F	10	I	2-3	14GW8	A	7	F	8	A	
13FR7	A	8	F	7	A		14H7	A	7	F	6	H	
13GB5	A	3	F	2	A	2-6	14J7	A	7	F	4	H	2-5
13GF7	A	3	F	2	O		14J7	A	2	F	6	H	
13GF7	A	1	F	9	K		14K7	A	7	F	4	H	
13GF7	A	3	F	9	K		14K7#	C	7	F	5	H	
13J10	A	3	F	11	I	2-2	14K7#	C	7	F	6	H	
13J10	C(S)	8	F	6	I		14N7	A	2	F	4	H	
13V10	A	2	F	3	I	2-6	14N7	A	7	F	5	H	2-3
13V10	A	9	F	8	I	2-10	14Q7	A	7	F	4	H	
13Z10	A	3	F	11	I	2-2	14R7	A	7	F	6	H	2-5
13Z10	C(S)	8	F	6	I		14R7#	C	7	F	3	H	
14A4	A	7	F	6	H	2-3	14R7#	C	7	F	4	H	
14A5	A	7	F	6	H	2-3	14S7	A	7	F	4	H	2-5
14A7	A	7	F	6	H	2-3	14S7	A	7	F	6	H	2-3
14AF7	A	2	F	4	H		14W7	A	7	F	6	H	
14AF7	A	7	F	5	H		14X7	A	4	F	3	H	
14B6	A	7	F	3	H		14X7#	C	4	F	5	H	
14B6#	A	7	F	5	H		14X7#	C	4	F	6	H	
14B6#	C	7	F	6	H		14Y4#	C	4	F	3	H	
14B6#	C	7	F	6	H		14Y4#	C	7	F	3	H	
14E8	A	7	F	4	H	2-3	14Y4#	A	7	F	6	H	
14BF11	A	2	F	3	I	2-6	14Y7	A	7	F	6	H	
14BF11	A	9	F	8	I	2-10							

TUBE TYPE	1	2	3	4	Skt	Sht Test	TUBE TYPE	1	2	3	4	Skt	Sht Test
17JM6	A	2	F	5	I	2-3	20E27	A	4	G	5	B	2-8
17JN6	A	2	F	11	I	2-8	20E27	A	9	G	8	B	2-8
17JS6	A	2	F	5	I	2-3	21A6	A	3	G	2	A	2-6
17JT6	A	3	F	2	K	2-7	21AK6	A	7	G	1	L	2-4
17JZ8	A	9	F	7	I	2-8	21EF6	A	8	G	5	D	2-8
17JZ8	A	11	F	10	I	2-1	21EX6	A	3	G	5	D	2-8
17KV6	A	3	F	2	K	2-1	21GV5	A	4	G	5	I	2-3
17LD8	A	8	F	5	D	2-4	21GY5	A	4	G	5	I	2-3
17LD8	A	3	F	2	A	2-7	21HB3	A	1	G	2	A	2-3
17R5	A	1	F	9	A	2-6	21HB5	A	4	G	3	I	2-2
17W6	A	8	F	5	D	2-4	21HD5	A	4	G	3	I	2-5
17X10	A	3	F	11	I	2-2	21HJ5	A	2	G	11	I	2-3
17X10	B(S)	8	F	6	I	2-7	21JV6	A	2	G	5	I	2-3
17Z3#	A	11	F	9	A	2-7	21JZ6	A	10	G	5	I	2-3
18A5	A	3	G	1	D	2-8	21KA6	A	9	G	1	O	2-3
18DZ8	A	8	G	1	A	2-8	21LR8	A	1	G	9	K	2-7
18DZ8	A	2	G	3	A	2-7	21LR8	A	3	G	2	K	2-8
18FW6	A	7	G	1	L	2-6	21LU8	A	11	G	10	I	2-8
18FX6	A	2	G	1	L	2-6	21LU8	A	9	G	6	I	2-8
18FY6	A	2	G	1	L	2-6	22BH3#	A	9	G	7	K	2-8
18FY6#	C	2	G	5	L	2-6	22EW3#	A	7	G	4	I	2-8
18FY6#	C	2	G	6	L	2-6	22EW6	A	3	G	1	A	2-8
18GB5	A	3	G	2	O	2-6	22DE4#	A	3	G	5	E	2-1
18GD6	A	7	G	1	L	2-6	22JF6	A	3	G	2	K	2-1
18GE6	A	2	G	1	L	2-6	22JG6	A	3	G	2	K	2-1
18GE6#	C	2	G	5	L	2-6	22JU6	A	3	G	2	K	2-1
18GE6#	C	2	G	6	L	2-6	22KM6	A	3	G	2	K	2-1
18GV8	A	3	G	2	A	2-6	23JS6	A	2	G	5	I	2-3
18HB8	A	2	G	1	A	2-6	23JZ9	A	7	G	3	I	2-3
18AJ8	A	3	G	9	A	2-1	23JZ9	A	7	G	10	I	2-9
19AQ5	A	2	G	1	L	2-6	24JE6	A	3	G	2	K	2-1
19AU4#	A	3	G	5	E	2-8	25A6	A	8	G	5	D	2-4
19BD#	A	3	G	9	A	2-8	25A7	A	8	G	5	D	2-4
19BG6	A	3	G	5	D	2-8	25A7#	A	1	G	6	D	2-4
19BR5	A	2	G	1	A	2-8	25AC5	A	8	G	5	D	2-4
19C8	A	7	G	8	A	2-1	25AU4#	A	3	G	5	E	2-8
19C8#	A	7	G	1	A	2-6	25AV5	A	3	G	1	D	2-8
19C8#	A	7	G	6	A	2-7	25AX4#	A	3	G	5	E	2-4
19CG3#	A	3	G	2	A	2-1	25B6	A	8	G	5	D	2-4
19CL8	A	3	G	1	A	2-7	25B8	A	6	G	8	D	2-4
19CL8	A	8	G	9	A	2-7	25B8	A	1	G	11	D	2-4
19D8	A	3	G	9	A	2-1	25BK5	A	6	G	7	A	2-8
19D8	A	3	G	2	A	2-1	25BQ6	A	8	G	5	D	2-4
19DE7	A	9	G	2	A	2-1	25BR3#	A	11	G	9	A	2-6
19DE7	A	8	G	7	A	2-1	25C5	A	1	G	2	L	2-6
19EA8	A	8	G	9	A	2-1	25C6	A	8	G	5	D	2-4

TUBE TYPE	1	2	3	4	Skt	Sht Test	TUBE TYPE	1	2	3	4	Skt	Sht Test
25CD6	A	3	G	5	D	2-8	25CG3#	A	9	G	8	B	2-8
25CG6	A	7	G	4	I	2-6	25CG6	A	3	G	12	A	2-6
25CU6	A	6	G	7	A	2-8	25D4#	A	8	G	2	L	2-4
25D8	A	1	G	5	E	2-8	25D8	A	3	G	7	D	2-8
25D8	A	1	G	5	D	2-3	25D8#	A	4	G	5	D	2-3
25DK4#	A	7	G	8	D	2-4	25DK4#	A	1	G	2	A	2-4
25DN6	A	3	G	5	D	2-8	25DN6	A	3	G	5	L	2-8
25DQ6	A	8	G	5	D	2-4	25DQ6	A	8	G	5	D	2-4
25DT5	A	7	G	6	A	2-1	25DT5	A	7	G	6	A	2-4
25E5	A	8	G	5	D	2-4	25E5	A	8	G	5	D	2-4
25EC6	A	3	G	5	D	2-8	25EC6	A	3	G	5	D	2-8
25EH5	A	1	G	2	L	2-6	25EH5	A	1	G	2	L	2-6
25F5	A	1	G	2	L	2-6	25F5	A	1	G	2	L	2-6
25FY8	A	8	G	1	A	2-7	25FY8	A	8	G	1	A	2-7
25FY8	A	2	G	3	A	2-4	25FY8	A	2	G	3	A	2-4
25L6	A	8	G	5	D	2-4	25L6	A	8	G	5	D	2-4
25N6	A	8	G	5	D	2-4	25N6	A	8	G	5	D	2-4
25W4#	A	3	G	5	E	2-1	25W4#	A	3	G	5	E	2-1
25W6	A	8	G	5	D	2-6	25W6	A	8	G	5	D	2-6
25X6#	A	4	G	3	D	2-4	25X6#	A	4	G	3	D	2-4
25X6#	A	8	G	5	D	2-6	25X6#	A	8	G	5	D	2-6
25Z4#	A	8	G	5	D	2-6	25Z4#	A	8	G	5	D	2-6
25Z6#	A	4	G	3	D	2-6	25Z6#	A	4	G	3	D	2-6
25Z6#	A	8	G	5	D	2-6	25Z6#	A	8	G	5	D	2-6
26A6	A	7	G	1	L	2-6	26A6	A	7	G	1	L	2-6
26BK6	A	2	G	1	L	2-6	26BK6	A	2	G	1	L	2-6
26EK6#	C	2	G	5	L	2-6	26EK6#	C	2	G	5	L	2-6
26BK6#	C	2	G	6	L	2-6	26BK6#	C	2	G	6	L	2-6
26C6	A	2	G	1	L	2-6	26C6	A	2	G	1	L	2-6
26C6#	C	2	G	5	L	2-6	26C6#	C	2	G	5	L	2-6
26C6#	C	2	G	6	L	2-6	26C6#	C	2	G	6	L	2-6
26CG6	A	7	G	1	L	2-6	26CG6	A	7	G	1	L	2-6
26D6	A	2	G	1	L	2-6	26D6	A	2	G	1	L	2-6
26Z5W#	A	3	G	1	A	2-6	26Z5W#	A	3	G	1	A	2-6
26Z5W#	A	8	G	6	A	2-6	26Z5W#	A	8	G	6	A	2-6
27GB5	A	3	G	2	O	2-3	27GB5	A	3	G	2	O	2-3
27KG6	A	9	G	1	O	2-3	27KG6	A	9	G	1	O	2-3
28D7	A	6	G	2	H	2-3	28D7	A	6	G	2	H	2-3
28D7	A	6	G	7	H	2-6	28D7	A	6	G	7	H	2-6
28GB5	A	3	G	2	O	2-6	28GB5	A	3	G	2	O	2-6
28HA6	A	1	G	2	A	2-6	28HA6	A	1	G	2	A	2-6
28HD5	A	4	G	3	I	2-5	28HD5	A	4	G	3	I	2-5
28Z5#	A	7	G	3	H	2-5	28Z5#	A	7	G	3	H	2-5
28Z5#	A	7	G	3	H	2-5	28Z5#	A	7	G	3	H	2-5
29GK6	A	1	G	2	H	2-8	29GK6	A	1	G	2	H	2-8
29KQ6	A	9	G	1	O	2-3	29KQ6	A	9	G	1	O	2-3



TUBE TYPE	1	2	3	4	Skt	Test
52KU#	A	4	D	12	F	
52KU#	A	6	D	12	F	
53KU#	A	4	D	12	F	
53KU#	A	6	D	12	F	
54KU#	A	4	D	12	F	
54KU#	A	6	D	12	F	
55N3#	A	3	H	9	A	
56R9	A	4	H	3	I	2-11
56R9	A	10	H	9	I	
58HE7#	A	4	H	2	I	2-11
58HE7	A	8	H	9	I	2-6
60FX5	A	1	H	2	L	2-3
60HL5	A	3	H	1	A	2-6
63T1	A	3	E	2	A	2-3
63T1	A	3	E	9	A	2-9
63TP	A	3	E	2	A	
63TP	A	3	E	9	A	
64ME	D	8	E	4	D	2-3
64SPT	A	3	E	2	A	
65ME	A	2	E	1	A	
70A7	A	8	H	5	D	2-6
70A7#	A	1	E	6	D	2-8
70L6	A	8	H	5	D	
70L7	A	6	H	5	D	2-7
70L7#	A	1	H	8	D	2-6
117L7	A	8	H	4	D	2-4
117L7	A	1	J	6	D	2-6
117M7	A	8	H	4	D	2-8
117M7#	A	1	J	6	D	
117N7	A	6	J	4	D	2-6
117N7	A	8	J	12	D	2-6
117P7	A	6	J	4	D	2-4
117P7#	A	8	J	12	D	2-6
117Z3#	A	6	J	5	L	
117Z4#	A	8	J	5	D	2-7
117Z6#	A	4	J	3	D	2-5
117Z6#	A	8	J	5	D	2-5
117Z6#	A	7	F	6	H	2-9
141TH#	C	7	F	7	H	2-4
141TH#	C	7	F	7	H	2-4
163	A	3	F	2	A	2-4
171DDP	A	3	F	2	A	2-4
171DDP#	B	3	F	7	A	
171DDP#	B	3	F	8	A	
213	A	3	G	2	A	
274B#	A	4	D	12	F	
274B#	A	6	D	12	F	
401A	A	2	E	1	L	2-6
403B	A	2	E	1	L	2-6
408A	A	2	E	1	L	2-6
421A	A	3	E	1	L	
421A	A	6	E	4	E	

TUBE TYPE	1	2	3	4	Skt	Sht Test
30A5	A	1	G	2	12	2-6
30AE3#	A	11	G	9	A	
30AG11	A	2	G	3	I	
30AG11	A	11	G	10	I	
30AG11	A	4	G	5	I	
30AG11	A	9	G	8	I	
30C1	A	8	E	1	A	2-7
30C1	A	2	E	3	A	2-9
30CW5	A	3	G	2	A	2-8
30F5	A	3	E	2	A	2-5
30HD5	A	4	G	3	I	2-5
30HJ5	A	2	G	3	I	2-3
30KD6	A	2	G	5	I	
30L1	A	1	E	2	A	2-4
30L1	A	7	E	6	A	2-9
30P4	A	8	G	5	D	2-7
30P16	A	3	F	2	A	
30P18	A	3	F	2	A	
30PL1	A	8	F	1	A	
30PL1	A	2	F	3	A	2-7
30PL13	A	8	F	3	A	2-7
30PL13	A	2	F	3	A	2-3
31JS6	A	2	G	5	I	2-6
32ET5	A	1	G	2	L	2-4
32L7	A	8	G	5	D	
32L7#	A	1	G	6	D	2-10
33GT7	A	8	G	9	I	2-11
33GT7#	A	4	G	9	I	
33GY7	A	8	G	9	I	
33GY7#	A	4	G	2	I	
33JV6	A	2	G	11	I	2-3
34CD3#	A	7	G	4	I	
34CE3	A	7	G	4	I	
34GD5	A	1	G	2	L	2-6
35A5	A	7	G	6	H	2-3
35B5	A	2	G	1	L	2-6
35C5	A	1	G	2	L	2-6
35CD6	A	3	G	5	D	2-8
35DZ8	A	8	G	1	A	2-7
35DZ8	A	2	G	3	A	2-6
35EH5	A	1	G	2	L	2-5
35GL6	A	1	G	2	L	
35HB8	A	2	G	1	A	2-6
35HB8	A	8	G	4	A	2-4
35L6	A	8	G	4	A	
35W4#	A	7	G	5	L	
35Y4#	A	7	G	5	H	
35Z3#	A	7	G	2	H	
35Z4#	A	8	G	5	D	



TUBE TYPE Sht Test Skt 4 3 2 1

5590 5591 5595 5610 5618 5626# 5626# 5654 5679# 5679# 5686 5687 5687 5691 5691 5692 5692 5693 5694 5694 5696 5725 5726# 5726# 5727 5732 5749 5750 5751 5751 5755 5755 5763 5814 5814 5824 5838# 5838# 5839# 5839# 5844 5844 5845# 5845# 5852# 5852# 5871 5879 5881 5910 5915

6080 6082 6082 6084 6085 6085 6087# 6087# 6094 6095 6096 6097# 6097# 6099 6099 6100 6101 6101 6106# 6106# 6113 6113 6118 6118# 6118# 6132 6134 6135 6136 6137 6146 6180 6180 6185 6186 6187 6187 6188 6188 6189 6189 6197 6201 6201 6202# 6202# 6203# 6203# 6211 6211

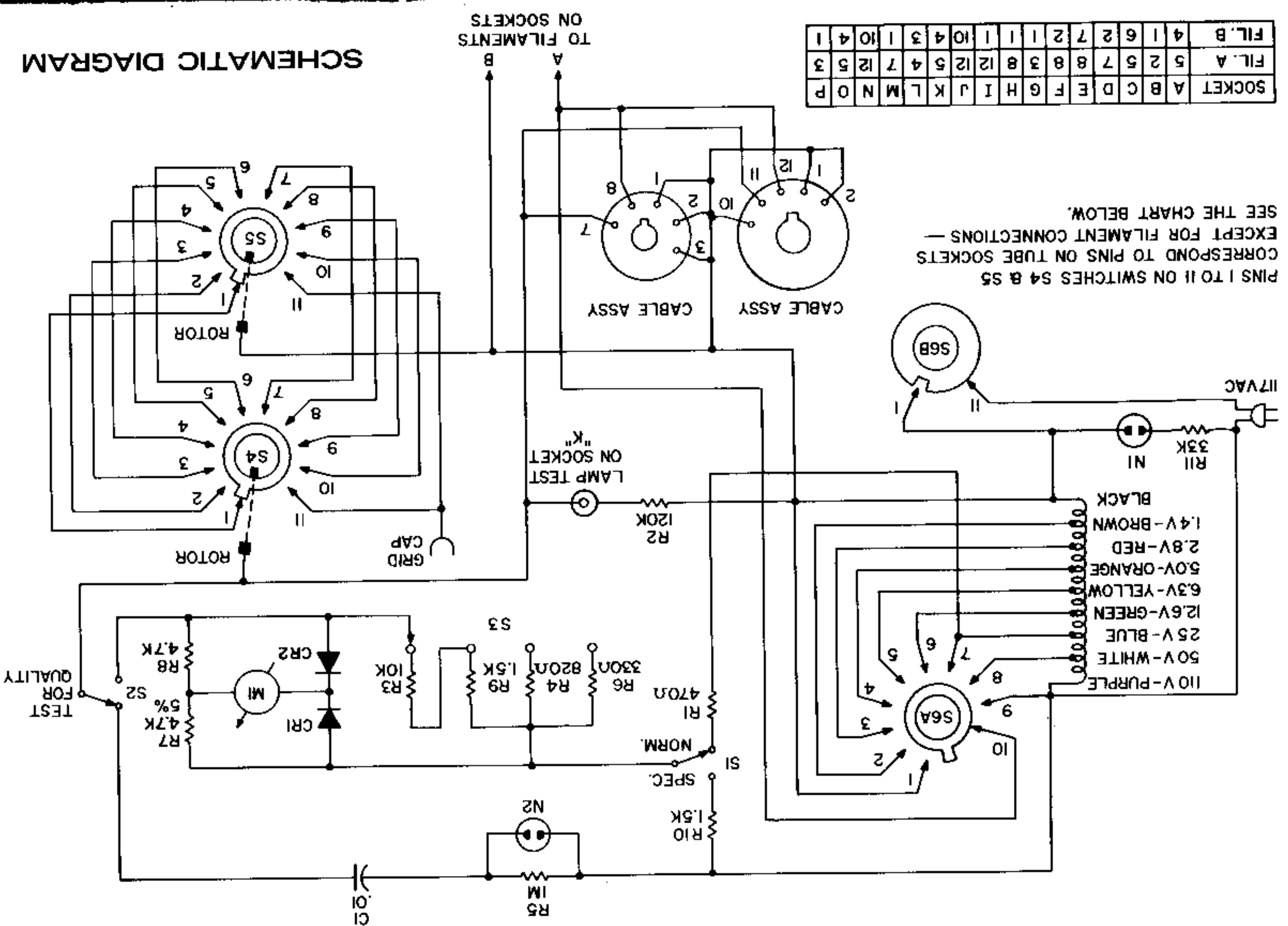
6216 6227 6265 6267 6336 6336 6350 6350 6360 6360 6374# 6394 6394 6443# 6463 6463 6485 6486 6516 6520 6520 6528 6528 6550 6660 6661 6662 6663 6663 6664 6669 6670 6670 6676 6677 6678 6678 6679 6679 6680 6680 6681 6681 6686 6687 6688 6688 6689 6760 6761 6829

TUBE TYPE	1	2	3	4	Skt	Sht Test
7701	A	1	F	2	A	2-7
7716	A	1	F	2	A	
7716	A	6	F	7	A	2-8
7717	A	2	E	1	L	2-6
7719	A	3	F	2	A	
7721	A	1	E	2	A	2-9
7722	A	1	E	2	A	
7724	B	7	F	8	A	
7724#	A	1	F	6	A	
7724#	A	3	F	2	A	
7728	A	3	F	2	A	
7728	A	8	F	7	A	
7729	A	3	F	2	A	
7729	A	8	F	7	A	
7730	A	3	F	2	A	
7730	A	8	F	7	A	
7731	A	8	E	9	A	
7731	A	7	E	2	A	
7732	A	2	E	1	L	2-6
7733	A	1	F	2	A	2-8
7734	A	2	E	3	A	
7734	A	7	E	8	A	2-1
7738	A	5	E	6	L	
7754	A	7	E	6	A	2-1
7802	A	3	E	1	E	
7802	A	6	E	4	E	
7867	A	3	E	5	D	2-8
7868	A	3	E	2	K	2-1
7892	A	3	F	2	A	
7892	A	6	F	7	A	
7895	A	8	E	4	J	
7984	A	9	F	10	I	2-11
8016#	B(S)	11	B	12	D	
8056	A	4	E	8	J	
8106	A	6	F	7	A	2-8
8113	A	2	E	1	L	2-6
8156	A	2	F	10	I	2-11
8176#	A	11	F	9	A	
8233	A	7	E	8	O	2-2
8298	A	6	E	5	D	2-3
8417	A	8	E	5	D	
9001	A	2	E	1	L	2-6
9002	A	2	E	6	L	
9003	A	2	E	1	L	2-6
9006#	A	2	E	1	L	

TUBE TYPE	1	2	3	4	Skt	Sht Test
7167	A	2	E	1	L	2-6
7189	A	3	E	2	A	2-9
7189A	A	3	E	2	A	2-9
7193	A	8	E	5	D	
7199	A	6	E	7	A	2-3
7199	A	8	E	9	A	
7236	A	3	E	1	E	
7236	A	6	E	4	E	
7244	A	7	E	5	L	
7244	A	7	E	6	L	
7245	A	2	E	1	L	
7247	A	3	F	2	A	
7247	A	8	F	7	A	
7258	A	3	E	2	A	
7258	A	9	E	8	A	2-7
7308	A	3	F	2	A	
7318	A	3	F	2	A	
7318	A	8	F	7	A	
7320	A	3	E	2	A	2-9
7355	A	5	E	6	D	2-8
7360	A	1	E	3	A	2-2
7370	A	3	H	2	A	
7370	A	6	H	7	A	
7408	A	8	E	5	D	2-4
7494	A	3	F	2	A	
7494	A	8	F	7	A	
7495	A	7	E	8	A	2-6
7500	A	3	E	6	A	
7500#	A	3	E	2	A	
7500#	A	3	E	9	A	
7500#	A	8	E	7	A	
7502	A	2	E	1	L	2-6
7543	A	7	E	1	L	2-6
7548	A	1	E	2	A	2-7
7551	A	1	F	2	A	2-3
7558	A	1	E	2	A	2-3
7561	A	8	G	5	D	2-4
7581	A	8	E	5	D	2-4
7586	A	8	E	4	J	
7587	A	8	E	4	J	2-2
7591	A	5	E	6	D	2-4
7607	A	1	E	5	D	2-3
7630#	A	11	F	9	A	
7643	A	8	E	9	A	2-3
7643	A	7	E	2	A	
7687	A	8	E	9	A	2-3
7687	A	7	E	2	A	2-1
7695	A	7	H	6	A	2-7
7699	A	2	E	3	A	
7699	A	2	E	1	A	

# PARTS LIST

PRICE EACH	SYM. #	STOCK #	DESCRIPTION	QTY.
<b>RESISTORS</b>				
(All values are in ohms and are 1/2W, 10% unless otherwise specified)				
.08	R3	10400	res., car., 10K, 1/2W, 10%	1
.08	R5	10407	" " 1M, " "	1
.08	R11	10426	" " 33K, " "	1
.08	R1	10429	" " 470Ω, " "	1
.08	R8	10430	" " 4.7K, " "	1
.11	R6	10438	" " 330Ω, " "	1
.08	R9, R10	10442	" " 1.5K, " "	2
.08	R2	10444	" " 120K, " "	1
.11	R4	10456	" " 820Ω, " "	1
.11	R7	11569	" " 47K, " 5%	1
<b>CAPACITORS</b>				
.22	C1	20022	cap., mold., .01 mfd, 600V, 10%	1
<b>TRANSFORMERS</b>				
4.60	T1	30093	transformer, power	1
<b>HARDWARE</b>				
.01		40000	nut, hex, #6 - 32 x 1/4	2
.02		40001	" " 3/8 - 32 x 1/2	3
.01		40005	" " #10 - 24 x 3/8	2
.01		40007	" " #4 - 40 x 1/4	39
.01		40023	Tinnerman Nut	2
.01		41000	screw, #6 - 32 x 1/4, B.H.	2
.02		41012	" #10 - 24 x 3/8, button head	2
.01		41035	" #6 - 1/4, P.K., B.H.	8
.01		41090	" #4 - 40 x 5/16, B.H.	39
.02		42000	washer, lock, 3/8	3
.01		42001	" flat, 3/8	3
.01		42002	" lock, #6	2
.01		42007	" lock, #4	39
.01		45000	standoff, #10 x 1/4	2
<b>KNOBS &amp; TERMINAL STRIPS</b>				
.29		53006	knob, round, bar	3
.10		54085	terminal strip, 3 post, 2 right (CSA)	1
.12		54087	" " 3 post, left (CSA)	1
.14		54088	" " 4 post, 3 left (CSA)	1



PRICE EACH SYM. # STOCK # DESCRIPTION QTY.

SWITCHES

2.86	S4, S5	60205	switch, rotary, 1 pole, 12 pos'n.	2
3.36	S6A, B	60206	" " 2 pole, 10 pos'n.	1
.29	S1	62002	" " slide, SPDT	1
.83	S3	62011	" " DP4T	1
1.50	S2	62032	" " SPDT, spring return	1

METER

9.66	M1	71019	meter, 1 MA, 3 1/2"	1
------	----	-------	---------------------	---

SHEET METAL

6.65		80222	panel front	1
.40		81994	bracket, panel support	1
2.25		87019	handle	1
7.50		88162	case, bottom	1
6.25		88163	case, top	1

DIODES

1.00	CR1, 2	95014	diode, germanium, 1N56	2
------	--------	-------	------------------------	---

TUBE SOCKETS & MISCELLANEOUS

1.09	H	97001	socket, loctal	1
.24	D, E, F, G	97003	" octal, saddle, molded	4
.17	B	97023	" 9 pin, min., bot. mt.	1
.15	L, M	97024	" 7 pin, min., bot. mt.	2
.45	I	97067	" 12 pin compactron, bot. mt.	1
.32	A	97068	" 10 pin (w/center contact)botmt	1
.30	J	97072	" 5 pin nuvistor	1
1.41	N	97073	" 7 pin nuvistor	1
.28	P, O	97092	" 9 pin novar, bot. mt.	2
.31	C	97096	" decal, bot. mt.	1
9.60		97098	" CRT adaptor, 90° & 110°	1
.30		97100	pin straightener block, 5 sockets, red	1
.36	K	97109	socket, 9 pin novar, bot. mt. with bulb tester	1
.61	N1, 2	97732	neon bulb ass'y. NE2E	2
.40		98501	grid cap, black, insulated	1
.77		57004	line cord	1
2.00		66208	manual, operating	1
2.00		66471	manual, assembly	1
.26		82107	strain relief	1

Prices and specifications subject to change without notice. To order replacement parts, remit with order; specify part numbers and descriptions. Add \$1.00 for mailing and handling; if a power transformer is included in the order, add instead \$1.50 for mailing and handling.



## **EICO MODEL 635 TUBE TESTER MANUAL**

The accompanying GIF files represent the entire operating manual and tube listings for EICO Model #635 tube tester. Manufactured by the EICO Electronic Instrument Company.

The manual is dated 1968.

This tester was purchased as a kit Feb. 22, 1972 and to-date has never required any repairs. While possibly not the most accurate of tube testers it is certainly one of the easiest and quickest to use. The 635 generally gives a good indication of tube “go no go” condition, however on occasion, I have had to turn to my Heathkit IT-21 to find internal leakage and shorts that did not show up on the Eico 635.

In the past 30 plus years I’ve tested literally thousands of tubes with it.

Gord

# **K4XL's** **BAMA**

This manual is provided **FREE OF CHARGE** from the “BoatAnchor Manual Archive” as a service to the Boatanchor community.

It was uploaded by someone who wanted to help you repair and maintain your equipment.

If you paid anyone other than BAMA for this manual, you paid someone who is making a profit from the free labor of others without asking their permission.

You may pass on copies of this manual to anyone who needs it. But do it without charge.

Thousands of files are available without charge from BAMA. Visit us at <http://bama.sbc.edu>