

FRU Parts List

This topic provides a list of Field Replaceable Units (FRUs) for the Phaser 7700 Color Laser Printer.

Changes to Xerox products are made to accommodate improved components as they become available. It is important when ordering parts to include the following information:

- Component's part number
- Product type or model number
- Serial number of the printer

Serial numbering. Particular fields in the serial number indicate the modification level of the printer, the date of its manufacture and the sequence number of the printer produced on that day. The serial number is coded as follows:

JLxxDMY

J indicates the headquarter country of the manufacturing company, Japan.

L indicates the modification level of the printer, ranging alpha-numerically from 0 to Z.

xx alpha-numerically indicates the sequence of the printer among the printers produce on that day of manufacture, ranging from 01 to ZZ representing 1 to 1155 (the letters I and O are not used).

D alpha-numerically indicates the day of manufacture, ranging from 1 to X representing 1 to 31 (the letters I and O are not used).

M alpha-numerically indicates the month of manufacture, ranging from 1 to C representing 1 to 12.

Y numerically indicates the last digit of the year of manufacture, ranging from 0 to 9.

PL 8-1 Accumulator Belt FRUs

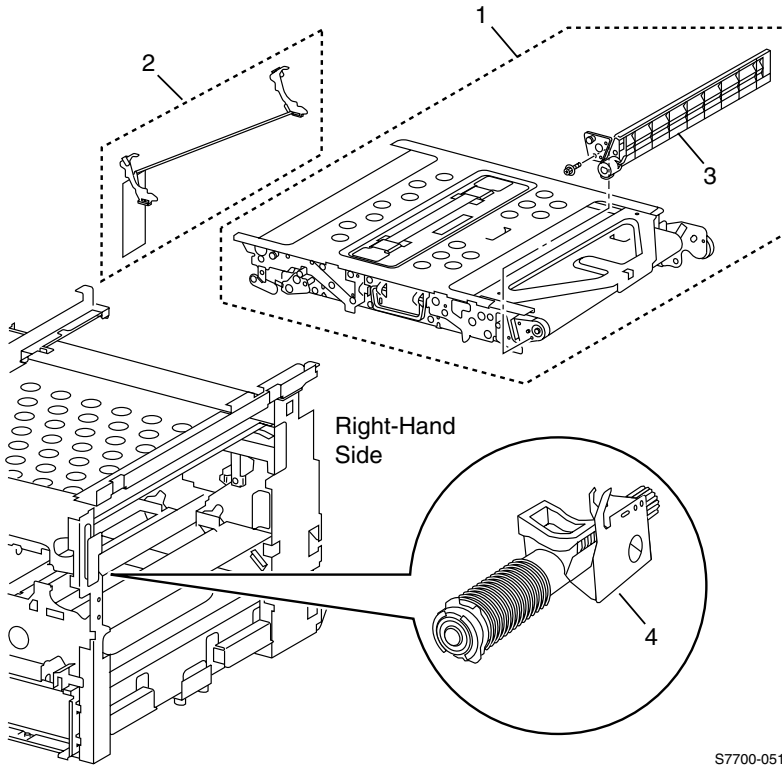


Figure 8-1 Accumulator Belt FRUs

Table 8-1 Accumulator Belt FRUs List

Parts	Part number	Qty	Name and description (vendor description)
1	016-1889-00	1	Accumulator Belt/cleaner assembly kit (Belt Assembly - IBT)
2	116-1207-00	1	Accumulator Belt shipping restraint
3	116-1094-00	1	Belt cleaner assembly (Cleaner Assembly IB)
4	116-1180-00	1	Waste auger assembly

PL 8-2 Left-Hand Door FRUs

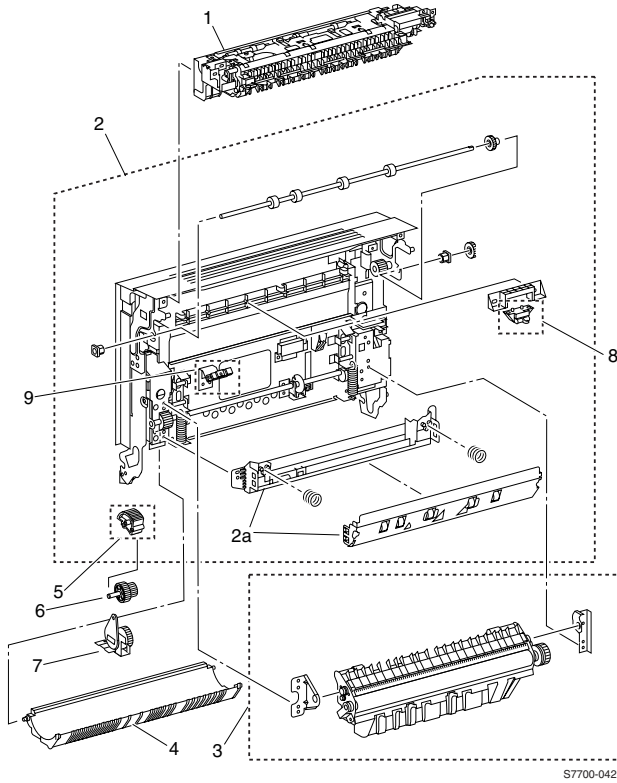
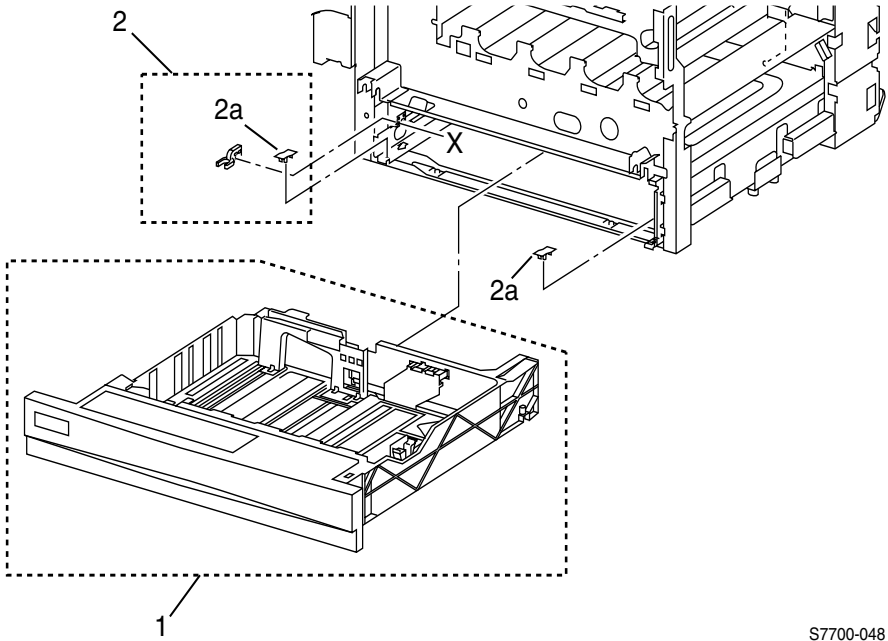


Figure 8-2 Left-Hand Door FRUs

Table 8-2 Left-Hand Door FRUs List

Parts	Part number	Qty	Name and description (vendor description)
1	116-1161-00	1	Transport Assembly, Inverter
2	116-1182-00	1	Left-Hand Cover Assembly (Cover Assembly-L/H2)
2a		1	Regi. chute assembly
3	016-1890-00	1	Transfer roller (Roll Assembly 2nd E)
4	016-1098-00	1	Duplex Chute (DUP Chute)
5	116-1542-00	1	Damper, 1/2 Gear
6	116-1540-00	1	Damper, Gear
7	116-1541-00	1	Damper
8	116-1543-00	1	Switch, Fuser Exit
9	116-1544-00	1	Sensor, Paper on Belt

PL 8-3 Media Trays FRUs



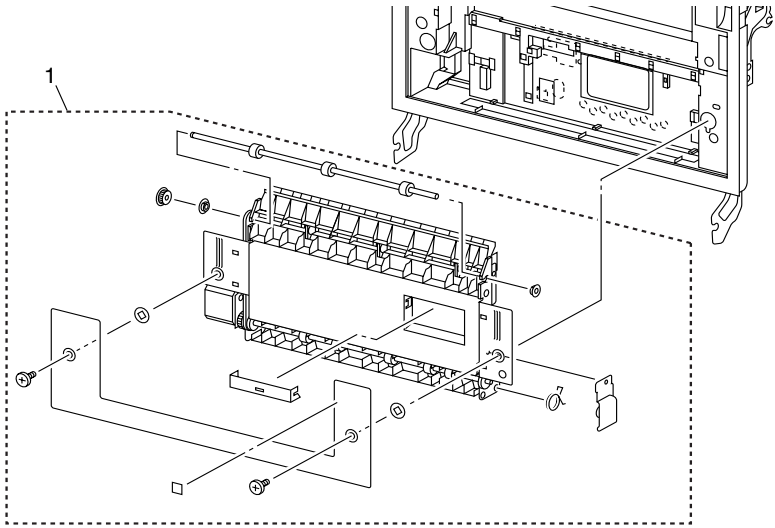
S7700-048

Figure 8-3 Media Trays FRUs

Table 8-3 Media Trays FRUs List

Parts	Part number	Qty	Name and description (vendor description)
1	116-1091-00	1	Universal paper tray
2	116-1093-00	1	Universal paper tray stopper
2a		2	spacer

PL 8-4 Duplex Unit FRUs



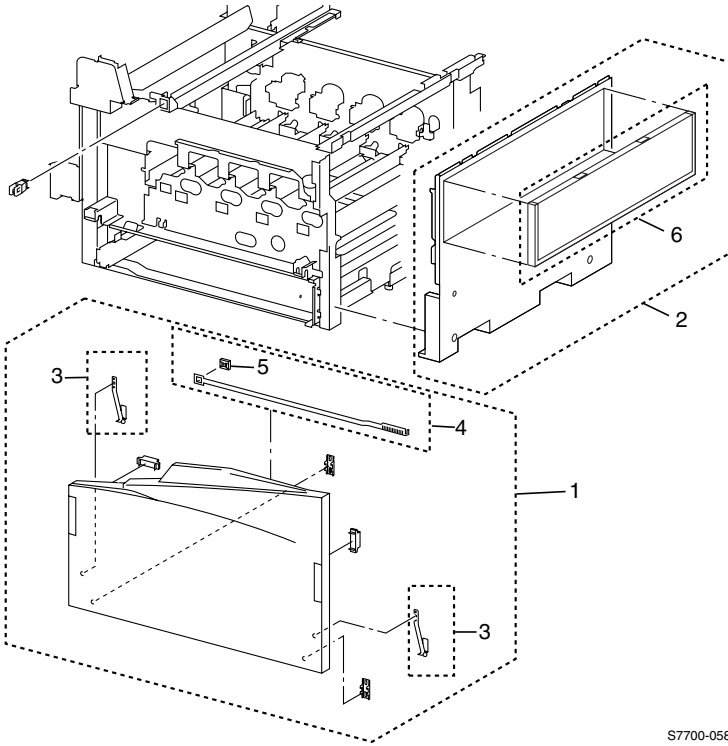
S7700-064

Figure 8-4 Duplex Unit FRUs

Table 8-4 Duplex Unit FRUs List

Parts	Part number	Qty	Name and description (vendor description)
1	116-1097-00	1	Duplex unit (Transport Assembly - DU)

PL 8-5 Cover FRUs



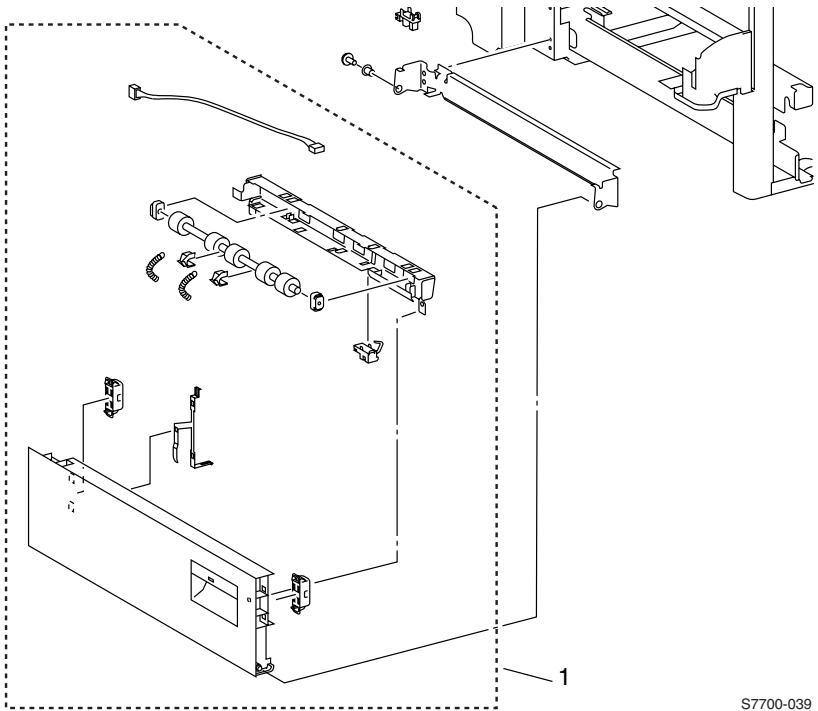
S7700-058

Figure 8-5 Cover FRUs

Table 8-5 Cover FRUs List

Parts	Part number	Qty	Name and description (vendor description)
1	116-1178-00	1	Front cover assembly (Cover Assembly Front)
		1	Front cover
		2	Magnet
		2	Strip
		1	Rod cleaner assembly
		1	Rod cleaner
		1	Cleaner base
		1	Label
		1	Label
2	116-1095-00	1	Right cover (Cover Assembly - R MN)
3	116-1187-00	1	Front cover strap (Strip)
4	116-1116-00	1	Laser lens cleaner assembly (Cleaner Rod Assembly)
5	116-1117-00	1	Laser lens cleaner base (Cleaner Assembly Base)
6	116-1317-00	1	Cover Assy LH PH2

PL 8-6 Cover FRUs (cont'd.)



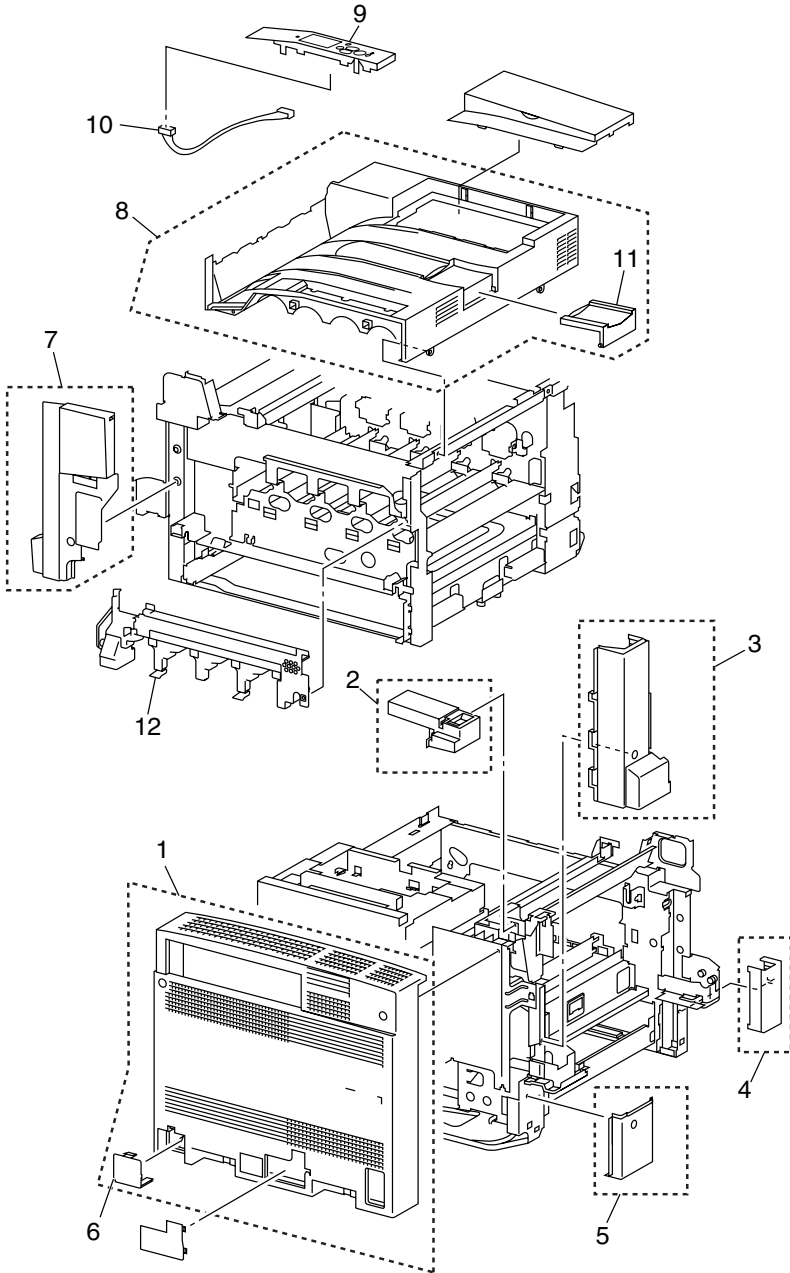
S7700-039

Figure 8-6 Cover FRUs (cont'd.)

Table 8-6 Cover FRUs (cont'd.) List

Parts	Part number	Qty	Name and description (vendor description)
1	116-1181-00	1	LH Lower cover Assembly (Cov Assembly-LH Low)
		1	LH lower cover
		1	Earth Plate
		2	Magnet
		1	Pinch Roll Assembly
		1	Bracket
		2	Spring
		1	Pinch roller
		1	Bearing
		1	Bearing
		2	Bearing
		1	Tray 1 feed out sensor
		1	Wire harness

PL 8-7 Cover FRUs (cont'd.)



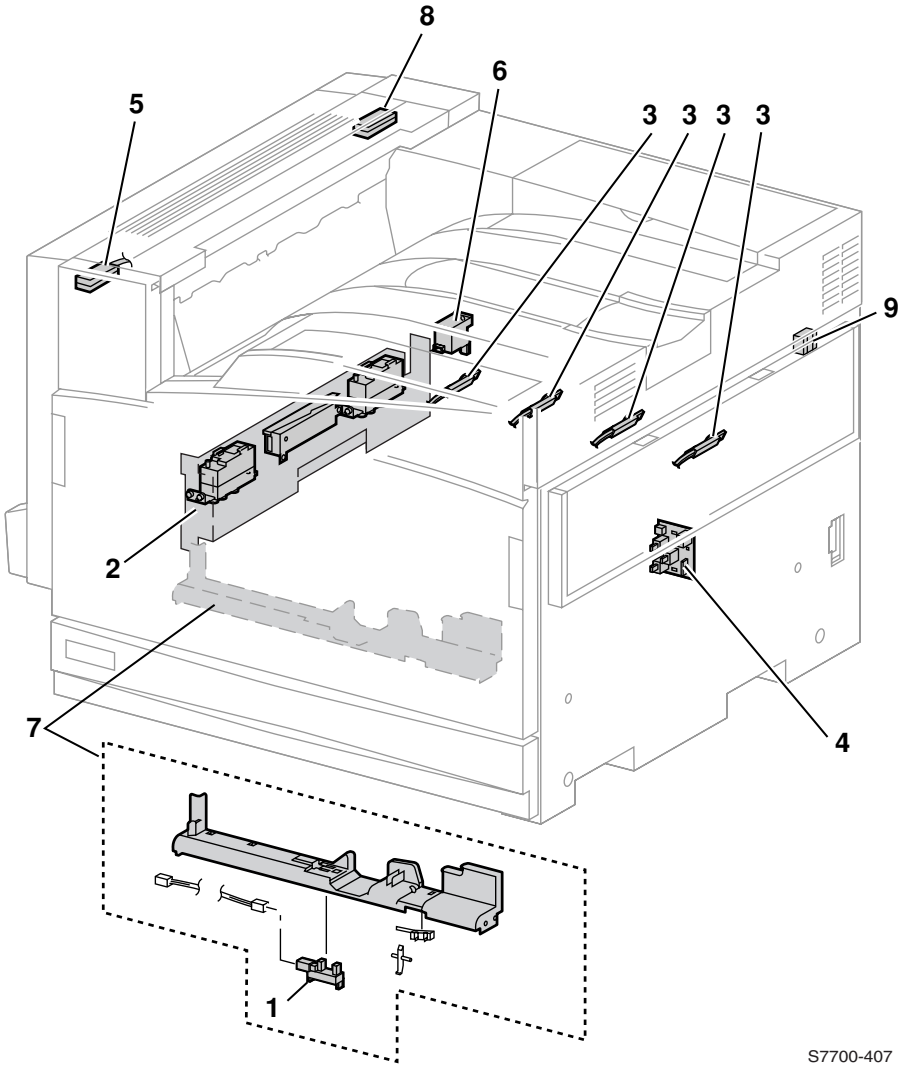
S7700-060

Figure 8-7 Cover FRUs (cont'd.)

Table 8-7 Covers FRUs (cont'd.) List

Parts	Part number	Qty	Name and description (vendor description)
1	116-1179-00	1 1	Rear cover assembly (Cover Assembly Rear) Blind cover
2	116-1190-00	1	Cover, top rear ps (Cover Top Rear)
3	116-1189-00	1	Cover, LH rear mid
4	116-1193-00	1	Cover, LH front low
5	116-1191-00	1	Cover, LH rear low
6	116-1188-00	1	Tray module connector cover (Cover - Blind, TM)
7	116-1194-00	1	Fuser front cover
8	116-1319-00	1	Top cover
9	116-0001-02	1	Front panel (Control Panel)
10	116-0002-00	1	Control panel wiring harness
11		1	Top cover stopper
12		1	Print cartridge plate cover

PL 8-8 Switch and Sensor FRUs



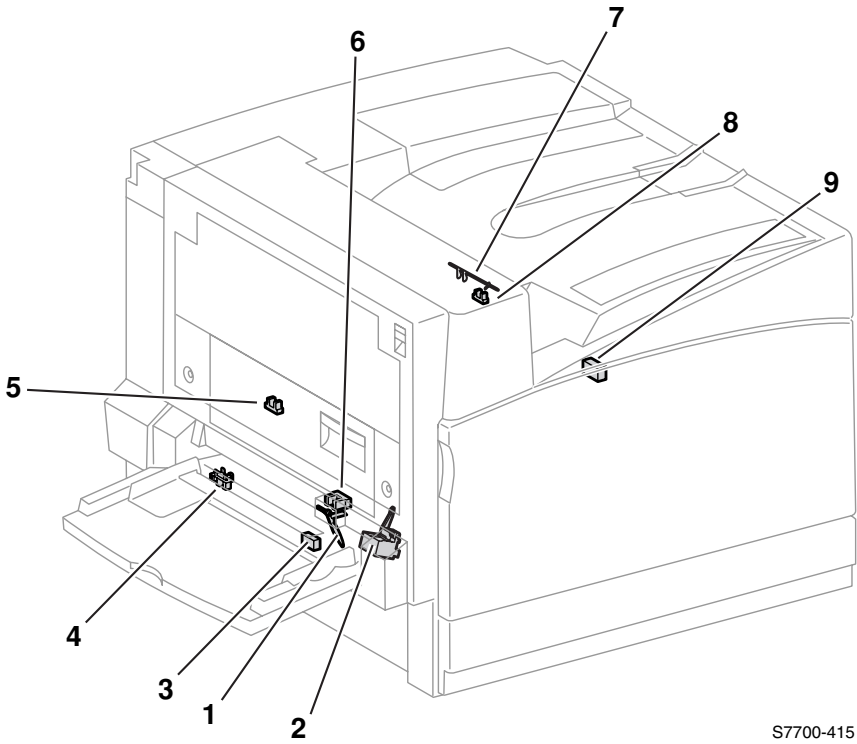
S7700-407

Figure 8-8 Switch and Sensor FRUs

Table 8-8 Switch and Sensor FRUs List

Parts	Part number	Qty	Name and description (vendor description)
1	116-1299-00	1	Waste cartridge full sensor (part of Sensor Kit)
2	116-1124-00	1	Mark-On-Belt (MOB) sensor assembly
3	116-1299-00	1	Automatic Toner Cal (ATC) sensor assembly (part of Sensor Kit)
4	116-1126-00	1	Paper-Select switch assembly (Switch Assembly PS)
5	116-1299-00	1	Transport (Exit) sensor assembly (part of Sensor Kit)
6	116-1299-00	1	Belt edge "A" sensor assembly (part of Sensor Kit)
7	116-1138-00	1 1 1 1	Waste cartridge sensor holder (Holder Assembly Sns) Lever Waste cartridge interlock switch Holder
8	116-1545-00	1	Sensor, Left Door Open
9	116-1545-00	1	Sensor, Right Door Open

PL 8-9 Switch and Sensor FRUs



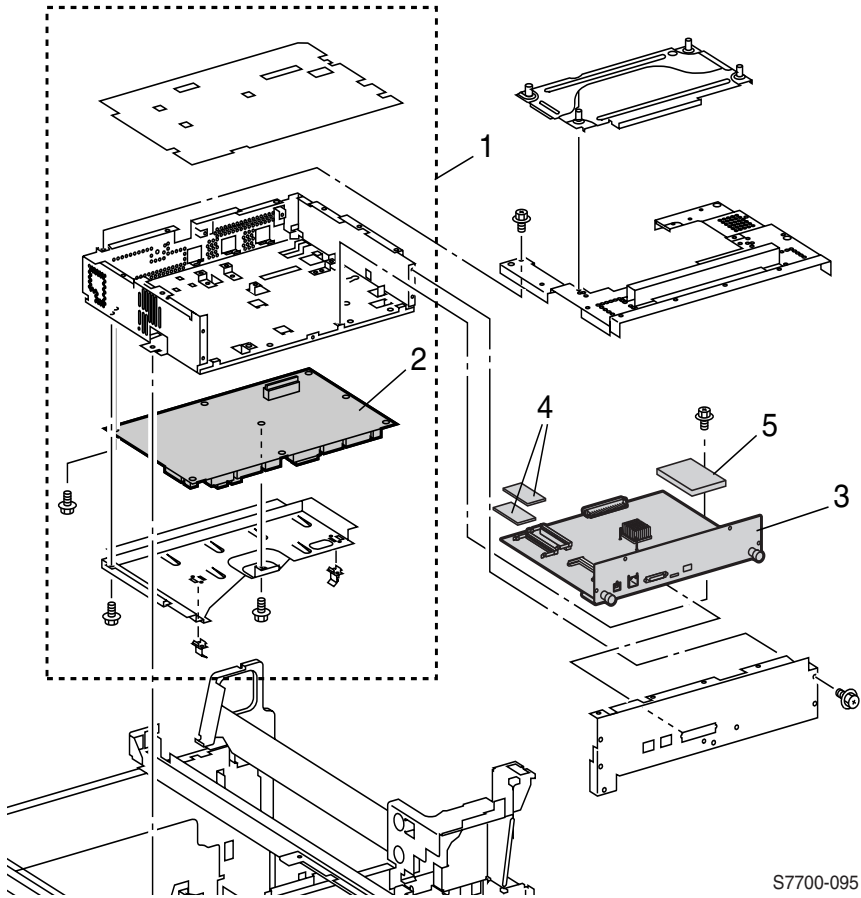
S7700-415

Figure 8-9 Switch and Sensor FRUs

Table 8-9 Switch and Sensor FRUs List

Parts	Part number	Qty	Name and description (vendor description)
1	116-1210-00	1	Paper detect flag, MPT (part of Sensor Flag Kit)
2	116-1132-00	1	Laser shutter solenoid assembly
3	116-1299-00	1	Paper feed sensor (part of Sensor Kit) - mounted on LH Lower Cover
4	116-1299-00	1	LH lower cover sensor (part of Sensor Kit)
5	116-1299-00	1	Transfer roller position sensor (part of Sensor Kit) - mounted on Left-Hand Cover behind transfer roller assembly
6	116-1299-00	1	Paper detect sensor, MPT (part of Sensor Kit)
7	116-1210-00	1	Exit tray full sensor flag (part of Sensor Flag Kit) - mounted on the Exit Assembly
8	116-1299-00	1	Transport (exit) sensor (part of Sensor Kit)- mounted on the Exit Assembly
9	116-1545-00	1	Sensor, Front Door Open

PL 8-10 Circuit Boards FRUs



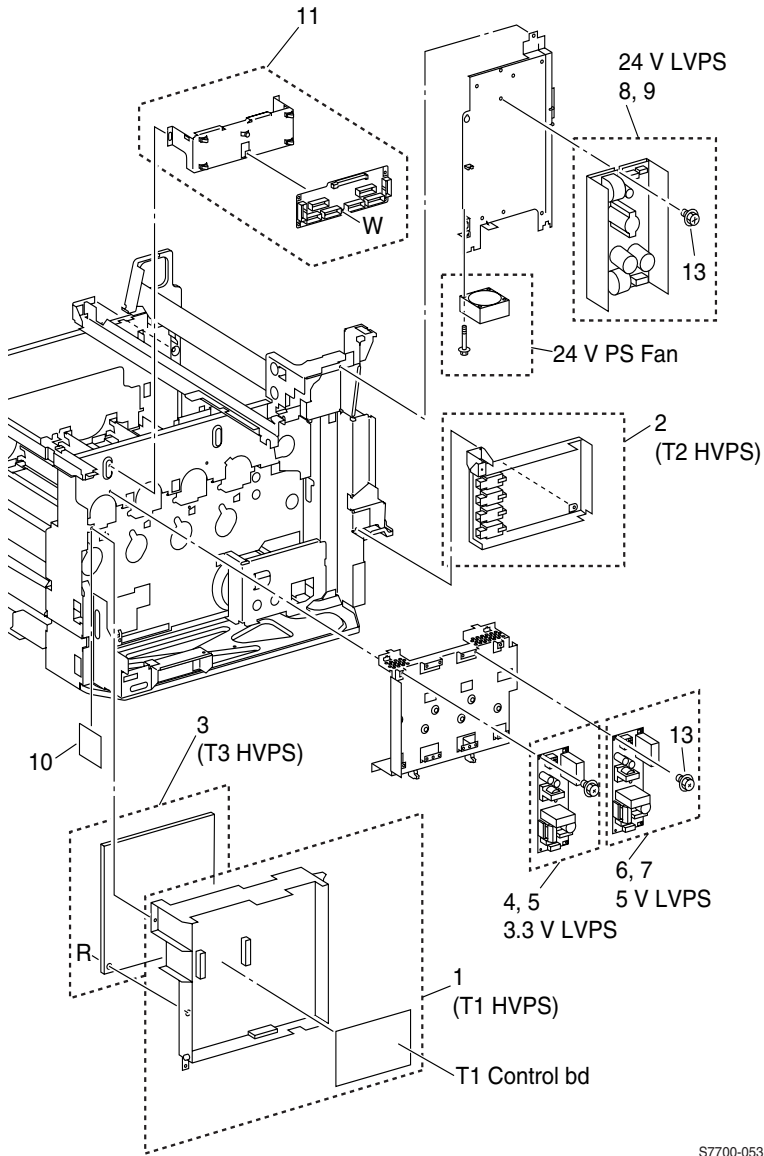
S7700-095

Figure 8-10 Circuit Boards FRUs

Table 8-10 Circuit Board FRUs List

Parts	Part number	Qty	Name and description (vendor description)
1	116-1145-00	1	Chassis assembly, elec (Chassis, E, B)
2	116-1144-00	1	Engine control board (PWBA MCU)
3	671-5268-02	1	Image Processor Board
4	156-4832-00 156-4663-00	1	RAM SODIMM 128 MB 256 MB
5	650-4199-01	1	Internal Hard Drive, Programmed 7700

PL 8-11 Power Supplies FRUs



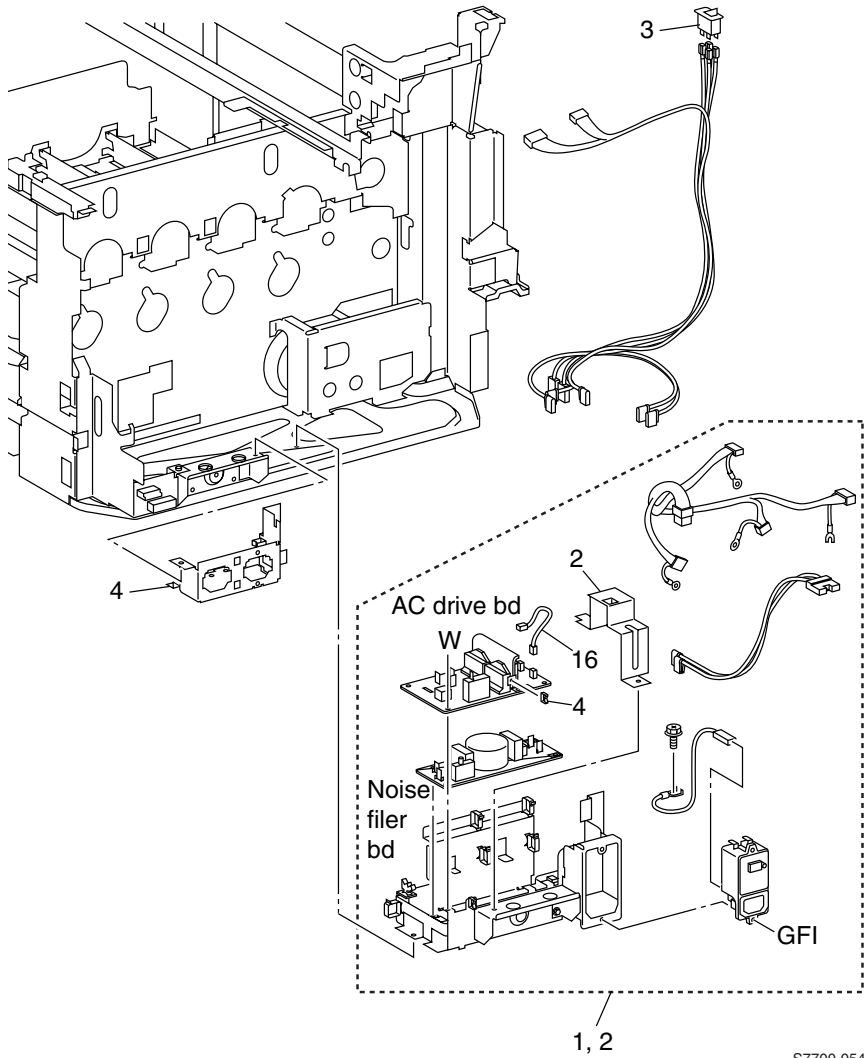
S7700-053

Figure 8-11 Power Supplies FRUs

Table 8-11 Power Supplies FRUs List

Parts	Part number	Qty	Name and description (vendor description)
1	116-1146-00	1 1	High-voltage power supply -T1 (PSHVT1) T1 Control bd
2	116-1147-00	1	High-voltage power supply -T2 (PSHVT2)
3	116-1148-00	1	High-voltage power supply - T3 (PSHVT3)
4	116-1149-00	1	Low-voltage power supply (3V), 110V (PSLV LF308)
5	116-1150-00	1	Low-voltage power supply (3V), 220V (PSLV LF308)
6	116-1151-00	1	Low-voltage power supply (5 VDC), 110V (PSLV LF506Q)
7	116-1152-00	1	Low-voltage power supply (5 VDC), 220V (PSLV LF506Q)
8	116-1153-00	1	Low-voltage power supply (24 VDC), 110V (PSLV OP2C)
9	116-1154-00	1	Low-voltage power supply (24 VDC), 220V (PSLV OPR2C)
10	116-1320-00	1	LD-Power relay
11	116-1143-00	1	Engine control interface board assembly (PWB IF MCU)

PL 8-12 Power Supplies FRUs



S7700-054

Figure 8-12 Power Supplies FRUs (cont'd.)

Table 8-12 Power supplies FRUs (cont'd.) List

Parts	Part number	Qty	Name and description (vendor description)
1	116-1155-00	1	Chassis assembly - AC power, 110V
		1	Bracket
		1	AC drive board
		1	Clamp
		1	Noise filter
		1	GFI breaker
		1	Wire harness
		1	Wire harness
		1	Wire harness
		1	Wire harness
		1	Screw
		1	Wire harness
2	116-1156-00	1	Chassis assembly - AC power, 220V
		1	Bracket
		1	AC drive board
		1	Clamp
		1	Noise filter
		1	GFI breaker
		1	Wire harness
		1	Wire harness
		1	Wire harness
		1	Wire harness
		1	Screw
		1	Wire harness
3	116-1231-00	1	Main power switch
4	116-1186-00	1	Outlet assembly

PL 8-13 Motors/Drivers FRUs

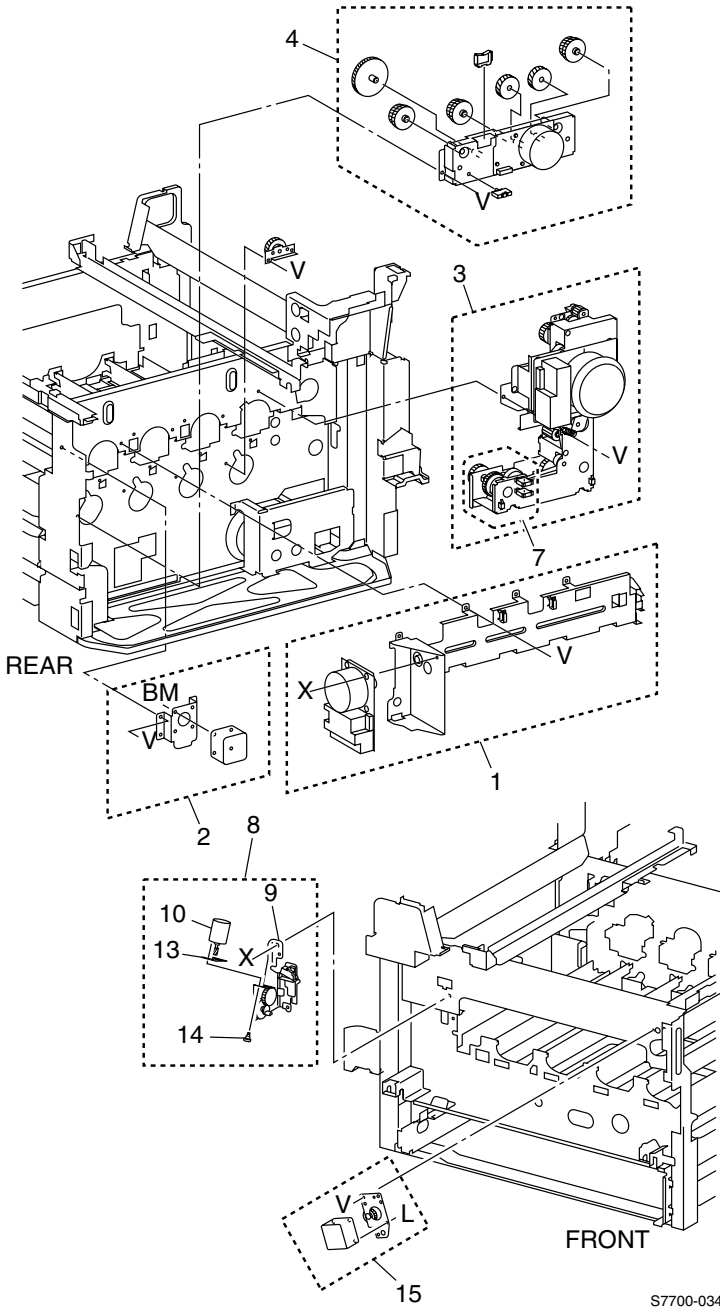


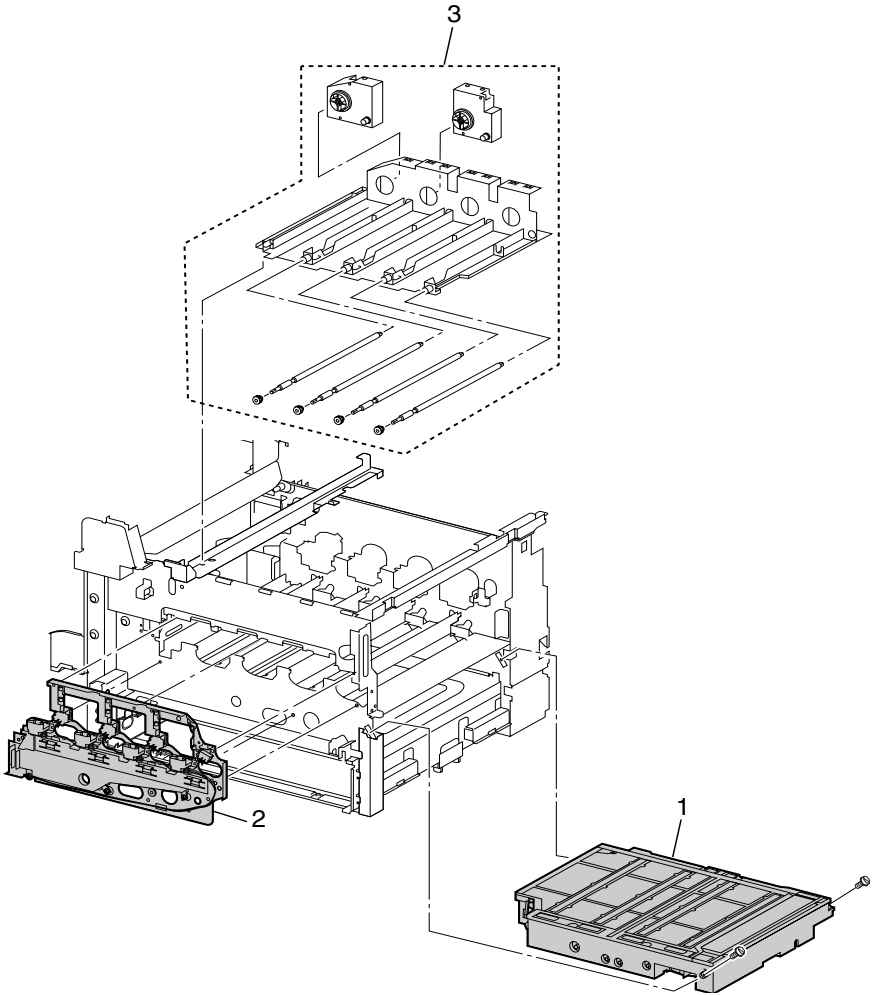
Figure 8-13 Motors/Drivers FRUs

S7700-034

Table 8-13 Motors / Drivers FRUs List

Parts	Part number	Qty	Name and description (vendor description)
1	116-1102-00	1 1 1	Print cartridge drive assembly (Drive Assembly Drum) Motor Gear bracket assembly
2	116-1103-00	1 1 1	Accumulator Belt drive assembly (Drive Assembly IBT) Accumulator motor assembly Gear Bracket assembly
3	116-1105-00	1	Main drive assembly (Drive Assembly main)
4	116-1106-00 116-1107-00	1 1 1	Developer drive assembly (Drive Assembly Dev) Motor Developer gear assembly Developer gear assembly (without motor)
5	116-1104-00	1 1 1	Steering drive assembly (Drive Assembly Steer) Steering drive motor Plate assembly
6	116-1101-00	1	Agitator motor assembly (Motor Assembly - Agt)
7	116-1539-00	1	Clutch, Black Developer

PL 8-14 Electrophotographic Components FRUs



S7700-013

Figure 8-14 Electrophotographic components FRUs

Table 8-14 Electrophotographic Components FRUs List

Parts	Part number	Qty	Name and description (vendor description)
1	116-1110-00	1	Laser unit (ROS Assembly)
2	116-1197-00	1	Print cartridge plate assembly
3	116-1118-00	1	Toner dispense base assembly (Dispenser Base Assembly)
		4	Dispenser base
		1	Gear
		1	Toner dispense motor (Y)
		1	Toner dispense motor (M)
		1	Toner dispense motor (C)
		4	Toner dispense motor (K)
			Shaft

PL 8-15 Electrophotographic Components FRUs (cont'd.)

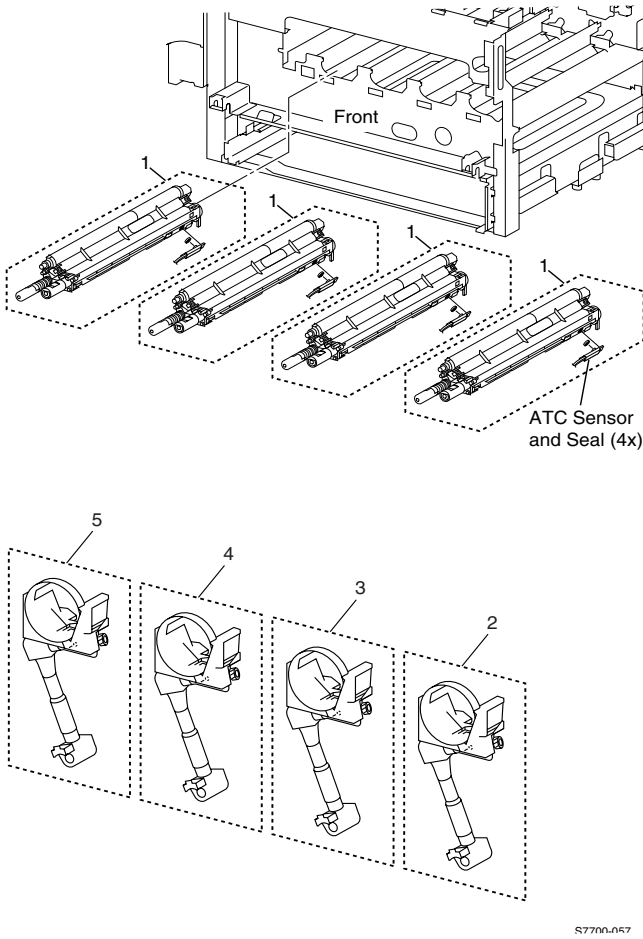
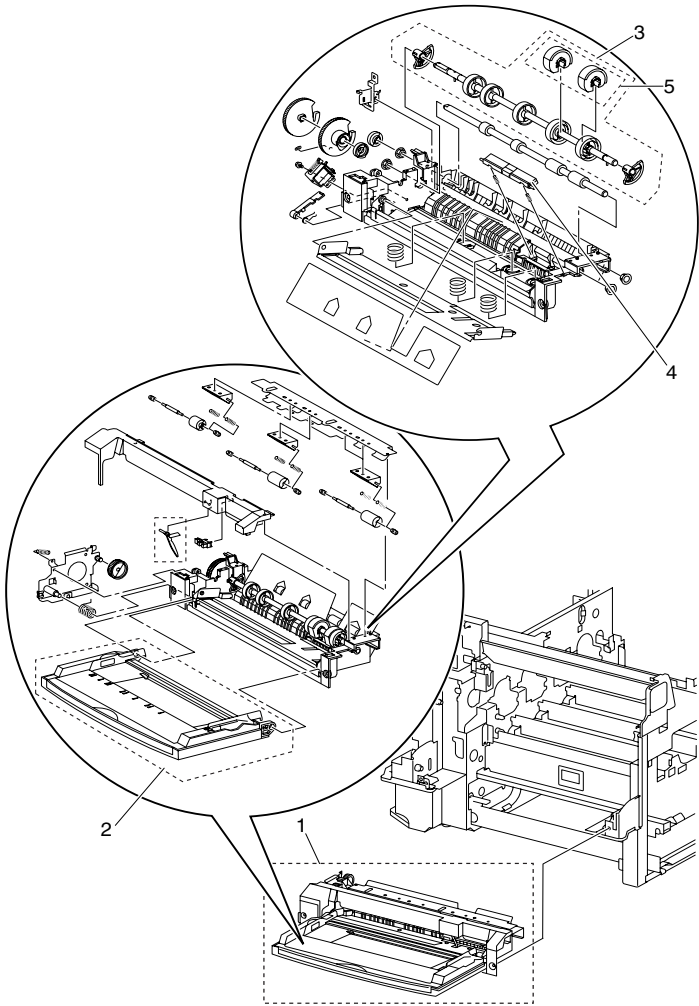


Figure 8-15 Electrophotographic Components FRUs (cont'd.)

Table 8-15 Electrophotographic components FRUs (cont'd.) List

Parts	Part number	Qty	Name and description (vendor description)
1	116-1115-00	1	Developer housing assembly (Hsg Assembly Deve)
		1	Developer housing
		1	ATC sensor
		1	Seal
	116-1111-00		<i>Note: requires one of the following:</i> Developer, Black (Pkg Assembly DV K)
	116-1112-00		Developer, Yellow (Pkg Assembly DV Y)
	116-1113-00		Developer, Magenta (Pkg Assembly DV M)
	116-1114-00		Developer, Cyan (Pkg Assembly DV C)
2	116-1121-00	1	Yellow dispense assembly (Disp Assembly - Y)
3	116-1122-00	1	Magenta dispense assembly (Disp Assembly - M)
4	116-1119-00	1	Cyan dispense assembly (Disp Assembly - C)
5	116-1120-00	1	Black dispense assembly (Disp Assembly - K)

PL 8-16 Multi-Purpose Tray FRUs



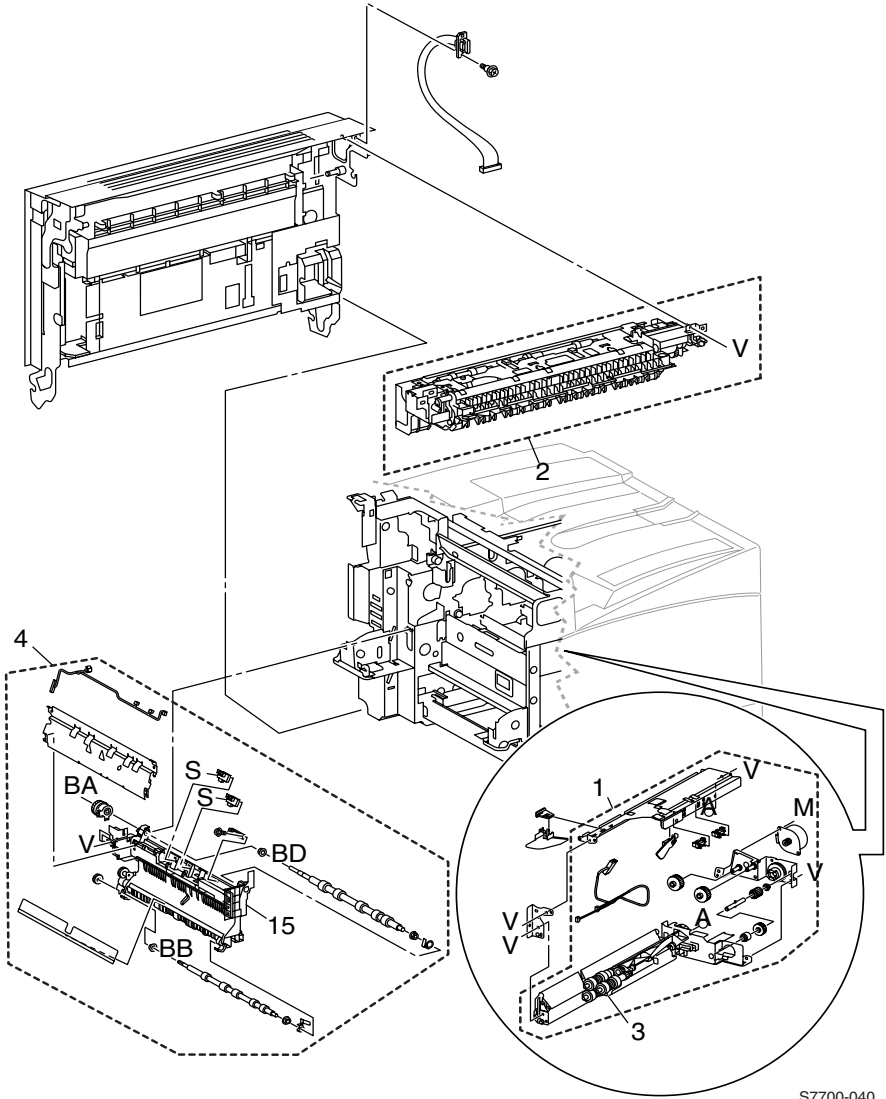
S7700-045

Figure 8-16 Multi-Purpose Tray FRUs

Table 8-16 Multi-Purpose Tray (MPT) FRUs List

Parts	Part number	Qty	Name and description (vendor description)
1	116-1157-00	1	Multi-Purpose Tray (MPT) assembly
2	116-1158-00	1	MPT tray Pinch roller assembly 1 (w 10,11, 13, 14,16) Pinch roller assembly 2 (w 13-17) Pinch roller assembly 3 (w 11, 13-16)
3	116-1159-00	1	Paper pick roller, MPT Feed roller assembly Feed roller Cam Cam Shaft assembly
4	116-1166-00	1	Pad assembly, retard
5	116-1212-00	2	MPT pick rollers

PL 8-17 Paper Feed FRUs



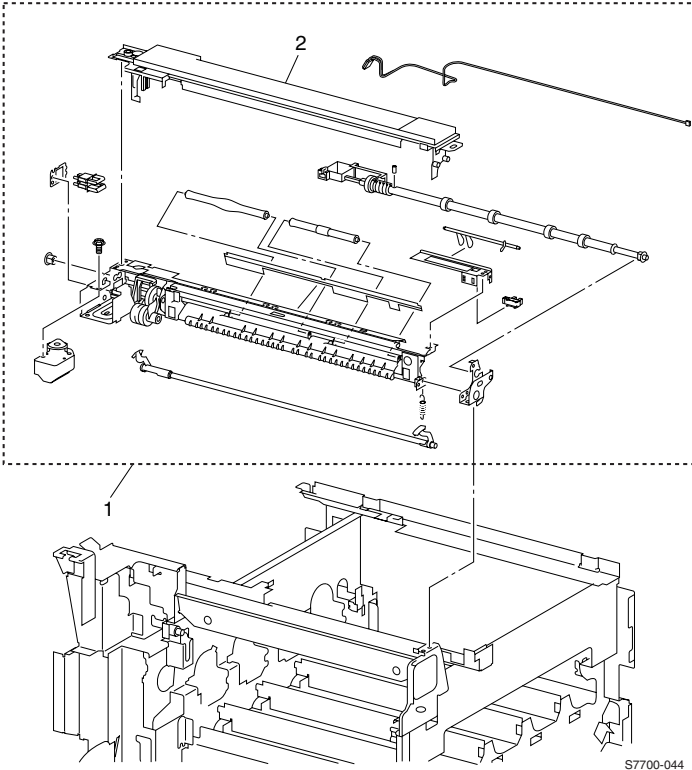
S7700-040

Figure 8-17 Paper Feed FRUs

Table 8-17 Paper feed FRUs List

Parts	Part number	Qty	Name and description (vendor description)
1	116-1160-00	1	Paper feeder assembly (Feeder Assembly)
	116-1109-00	3	Paper feed motor assembly Roller feed/nudge/retard Paper feed motor only (Motor Assembly)
2	116-1161-00	1	Transport assembly, inverter (Transport Inv)
3	116-1163-00	1	Roller assembly, feed/nudge/retard (Roll Assembly)
4	116-1164-00	1	Transport assembly, registration (Transport AV OPB)
		1	Bearing
		1	Bearing
		1	Drive roll
		1	Gear (22T)
		1	Paper Guide
		1	REGI Chute
		1	REGI Clutch
		1	Bearing
		2	Earth plate
		1	REGI roll
		1	REGI sensor
		1	Screw
		1	OHP sensor R/L
1	REGI support		
1	Wire harness		

PL 8-18 Paper Feed FRUs (cont'd.)



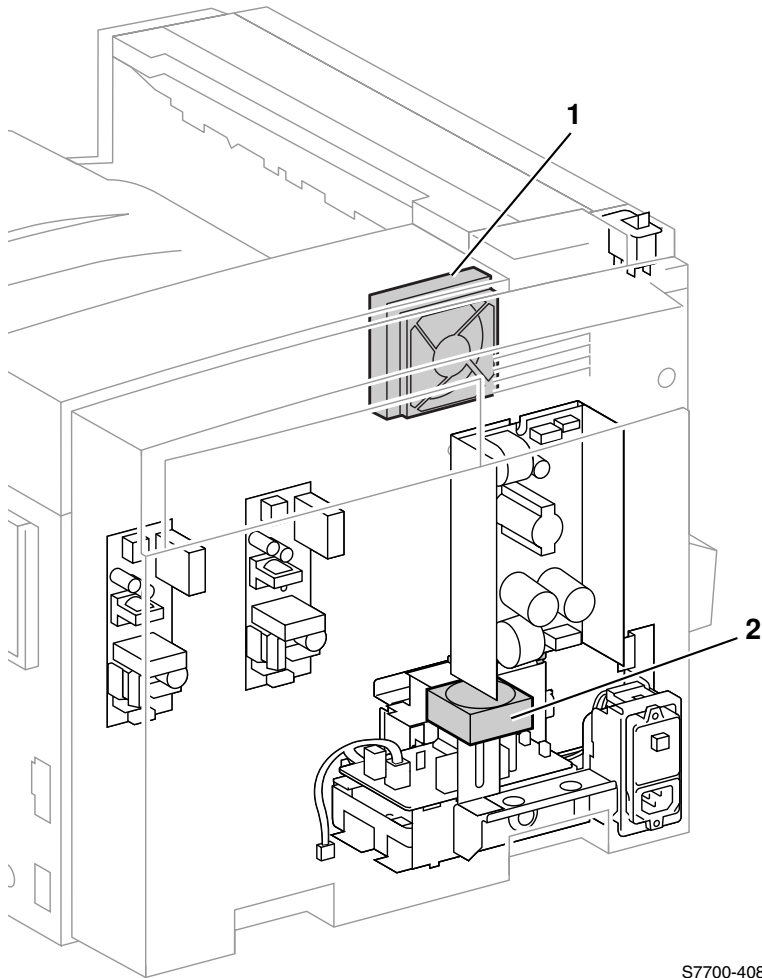
S7700-044

Figure 8-18 Paper feed FRUs

Table 8-18 Paper feed FRUs (cont'd.) List

Parts	Part number	Qty	Name and description (vendor description)
1	116-1165-00	1	Transport assembly, exit -OCT (Transport
		1	Assembly)
		1	Exit cover
		1	Bearing
		1	Pin
		1	Exit roller (OCT)
		1	Actuator
		1	Bracket Assembly
		1	Full paper stack sensor
		1	Latch assembly
		1	Spring
		1	Pinch roller
		1	Pinch roller
		1	LH cover interlock switch
		1	Bracket
		1	Eliminator
		1	Offset motor
		1	Wire harness
		1	Screw
		1	Front bracket
		1	Frame assembly
2	116-1196-00	1	Exit cover

PL 8-19 Fans



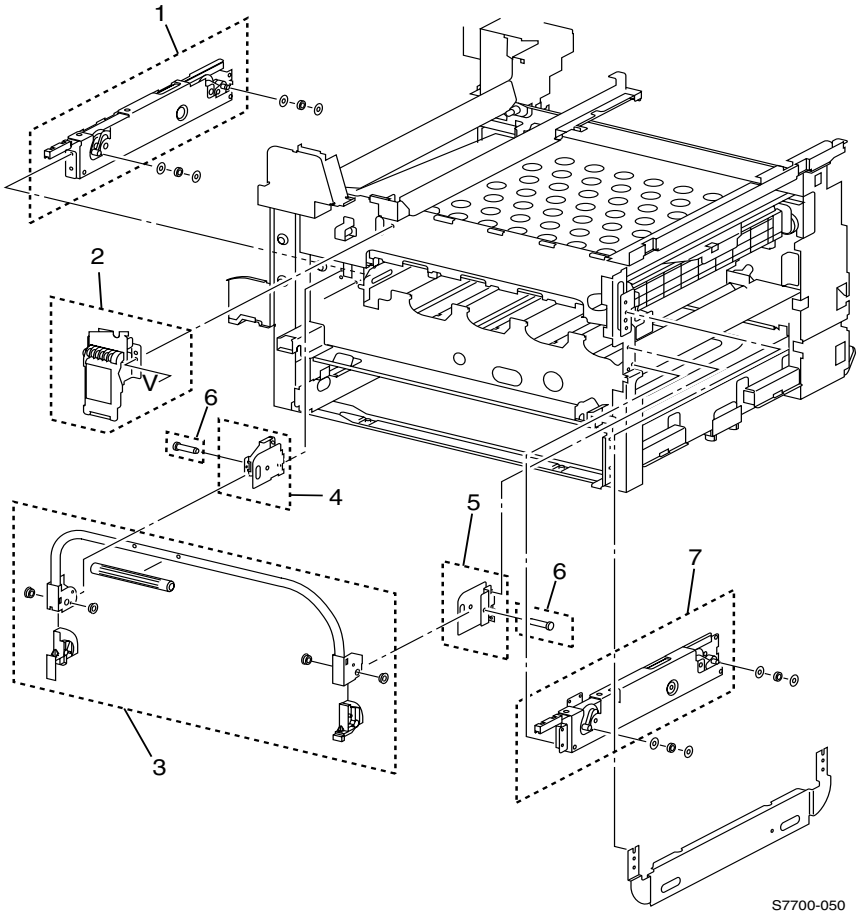
S7700-408

Figure 8-19 Fans

Table 8-19 Fans List

Parts	Part number	Qty	Name and description (vendor description)
1	116-1176-00	1	Fuser fan assembly (Fan Fuser)
2	116-1175-00	1	24 VDC LVPS fan assembly (Fan Assembly PSLV)

PL 8-20 Lift Components FRUs



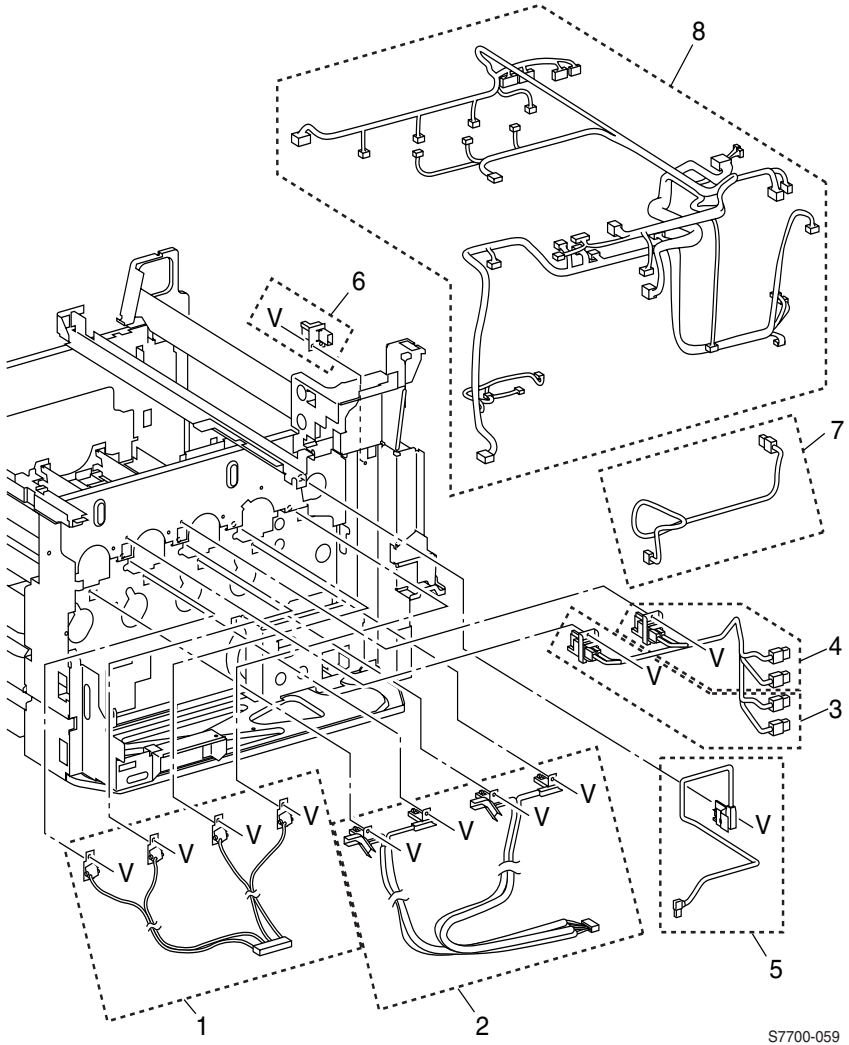
S7700-050

Figure 8-20 Lift Components FRUs

Table 8-20 Lift Components FRUs List

Parts	Part number	Qty	Name and description (vendor description)
1	116-1198-00	1	Frame lift jack assembly LH
2	116-1202-00	1	Main latch assembly
3	116-1204-00	1	Main lever assembly
4	116-1200-00	1	Hinge, lever LH
5	116-1201-00	1	Hinge, lever RH
6	116-1203-00	2	Pin, main
7	116-1199-00	1	Frame lift jack assembly RH

PL 8-21 Wiring FRUs



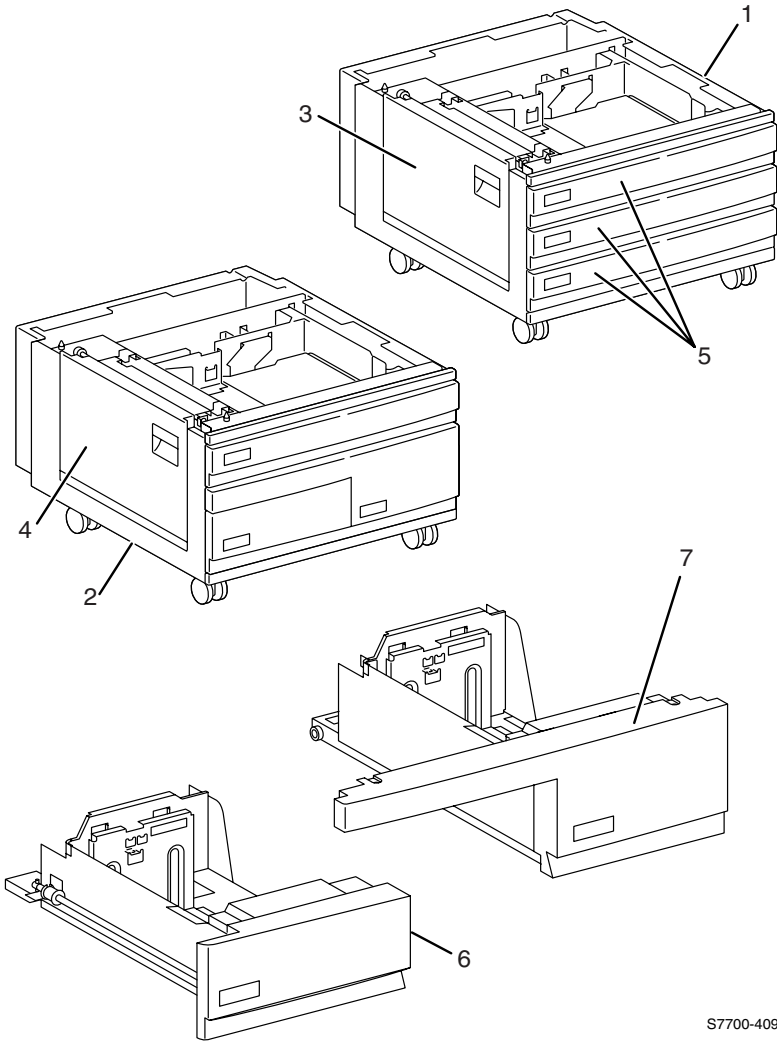
S7700-059

Figure 8-21 Wiring FRUs

Table 8-21 Wiring FRUs List

Parts	Part number	Qty	Name and description (vendor description)
1	116-1223-00	1	Wire harness - dev bias (Block Assembly In)
2	116-1312-00	1	Wire harness - charge roller (Harness Assembly-BCR)
3	116-1307-00	1	Wire harness - 1BTR - Y, M
4	116-1308-00	1	Wire harness - 1BTR - C, K
5	116-1309-00	1	Wire harness - 2BTR
6	116-1306-00	1	DTS connector
7	116-1310-00	1	Wire harness - DTS
8	116-1311-00	1	Wire harness - main (HA - DC Main P MN)

PL 8-22 Auxiliary Feeder FRUs



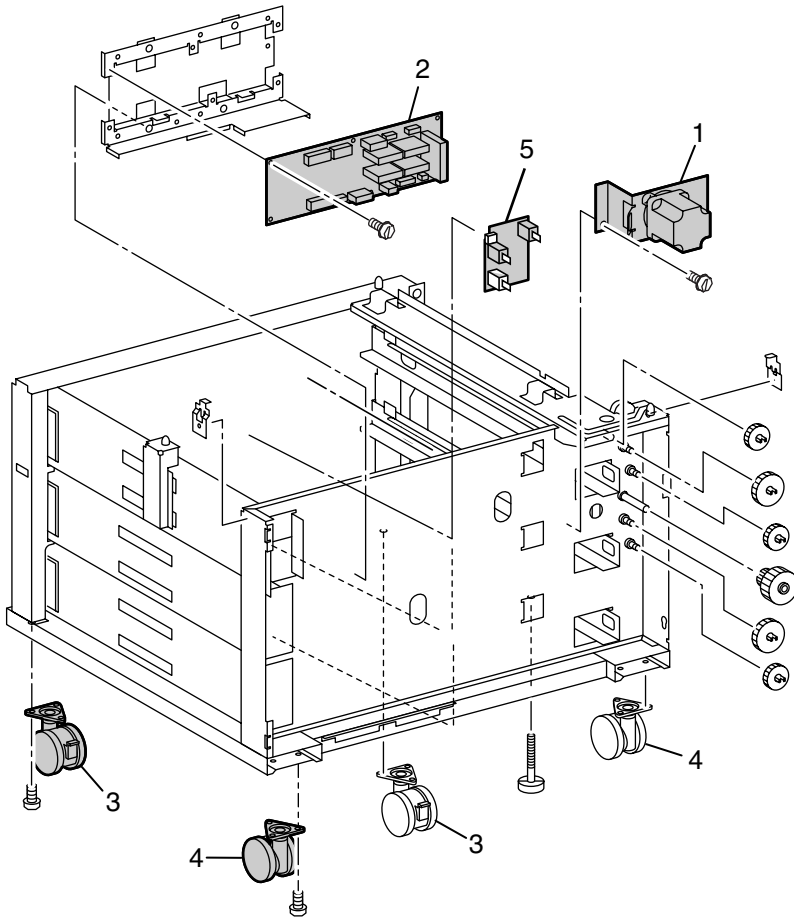
S7700-409

Figure 8-22 Auxiliary Feeder FRUs

Table 8-22 Auxiliary Feeders FRUs List

Parts	Part number	Qty	Name and description (vendor description)
1	116-1080-00	1	Lower tray deck (LTD)
2	116-1079-00	1	High-Capacity feeder (HCF)
3	116-1184-00	1	Lower tray deck (LTD) cover LH (Cover Assembly LH 3)
4	116-1185-00	1	High-Capacity feeder (HCF) cover LH (Cover Assembly - H, T)
5	116-1091-00	1	Universal paper tray
6	116-1090-00	1	High-capacity feeder tray 3
7	116-1089-00	1	High-capacity feeder tray 4

PL 8-23 Lower Tray Deck (LTD) FRUs



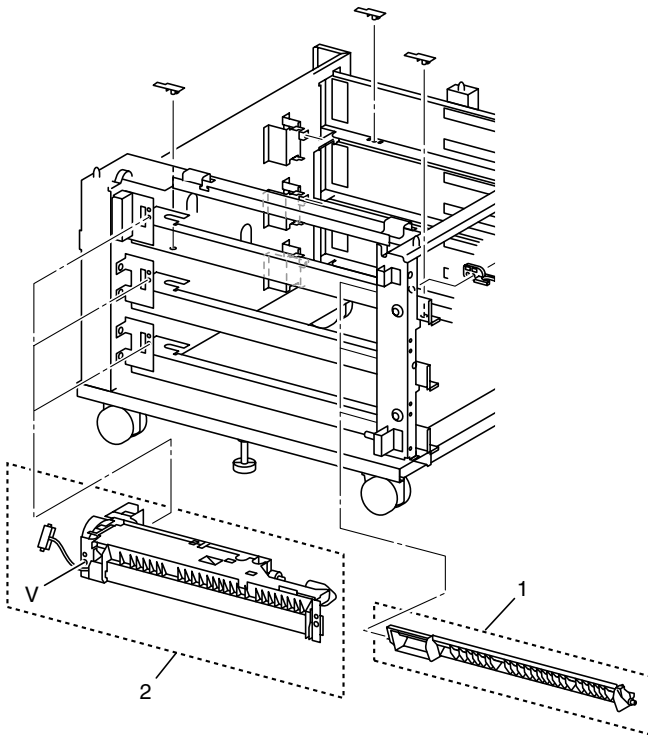
S7700-107

Figure 8-23 Lower Tray Deck (LTD) FRUs

Table 8-23 Lower Tray Deck (LTD) FRUs List

Parts	Part number	Qty	Name and description (vendor description)
1	116-1100-00	1	Aux. feeder motor assembly (Motor Assembly 3TM)
2	116-1219-00	1	LTD control board (PWB Assembly - 3TM)
3	116-1206-00	2	Caster, locking
4	116-1221-00	2	Caster
5	116-1126-00	1	Switch Assy, Paper Select

PL 8-24 Lower Tray Deck (LTD) FRUs (cont'd.)



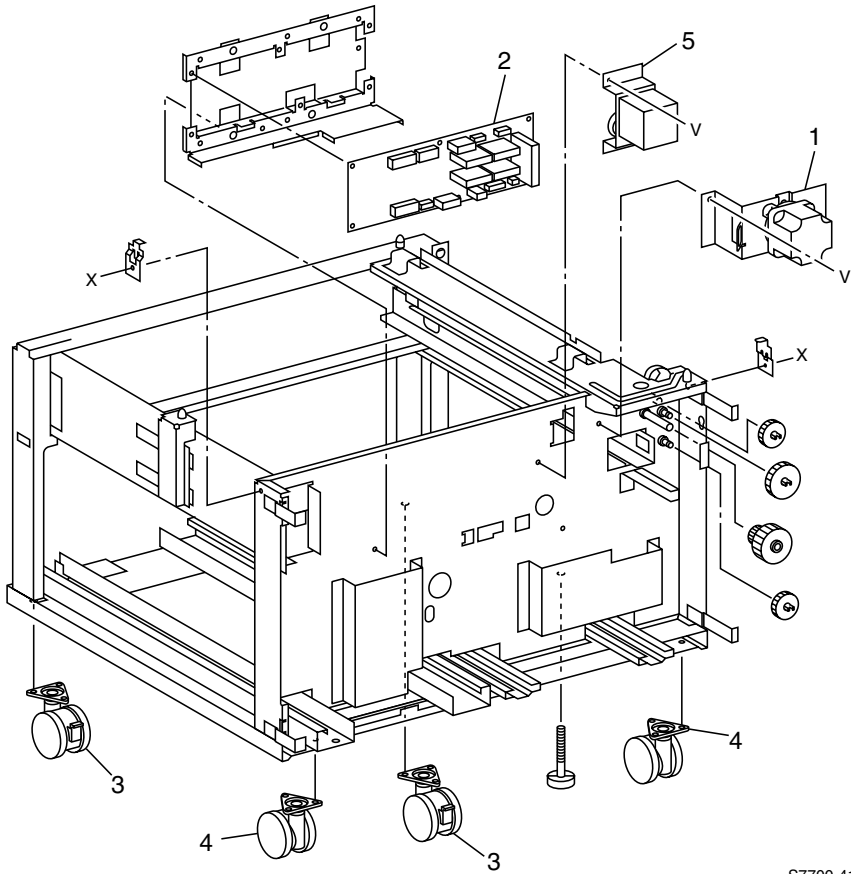
S7700-459

Figure 8-24 Lower Tray Deck (LTD) FRUs (cont'd.)

Table 8-24 Lower Tray Deck (LTD) FRUs List (cont'd.)

Parts	Part number	Qty	Name and description (vendor description)
1	116-1167-00	1	Chute, Lower
2	116-1160-00	1	Feed Assembly, Paper

PL 8-25 High-Capacity Feeder FRUs



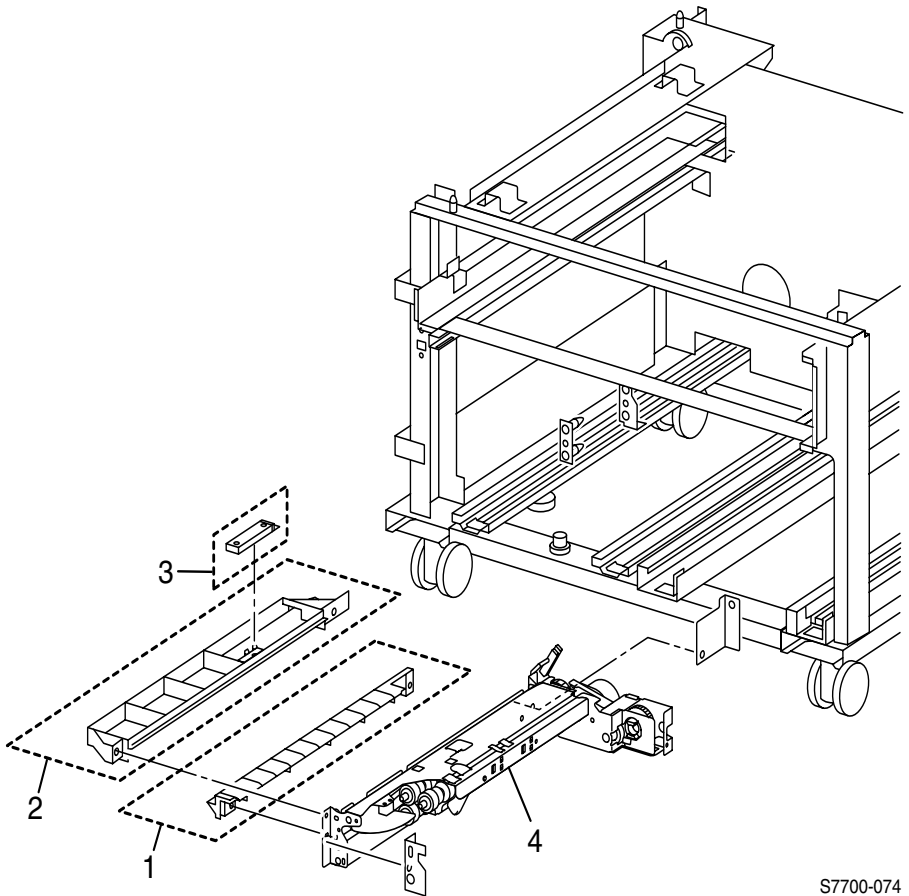
S7700-412

Figure 8-25 High-Capacity Feeder FRUs

Table 8-25 High-Capacity Feeder FRUs

Parts	Part number	Qty	Name and description (vendor description)
1	116-1100-00	1	Aux. feeder motor assembly (Motor Assembly 3TM)
2	116-1220-00	1	HCF control board (PWB Assembly - TTM)
3	116-1206-00	2	Caster, locking
4	116-1221-00	2	Caster
5	116-1099-00	1	Transport motor assembly (Motor Assembly TTM)

PL 8-26 High-Capacity Feeder FRUs (cont'd.)



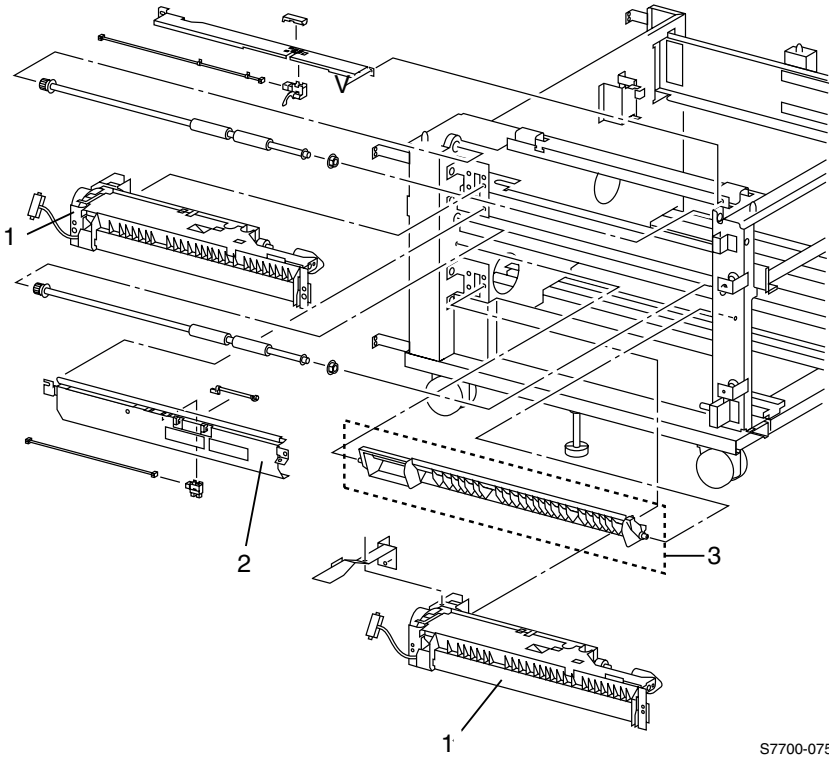
S7700-074

Figure 8-26 High-Capacity Feeder FRUs (cont'd.)

Table 8-26 High-Capacity Feeder FRUs List (cont'd.)

Parts	Part number	Qty	Name and description (vendor description)
1	116-1168-00	1	Chute to lower (Chute F/O - Lower)
2	116-1169-00	1	Chute to upper (Chute F/O - Upper)
3	116-1218-00	1	HFC tray 4 feed out sensor (Reflect Sensor GP2A25)
4	116-1172-00	1	Paper feeder assembly, HCF tray 4 (Feeder Assembly TTM)

PL 8-27 High-Capacity Feeder FRUs (cont'd.)



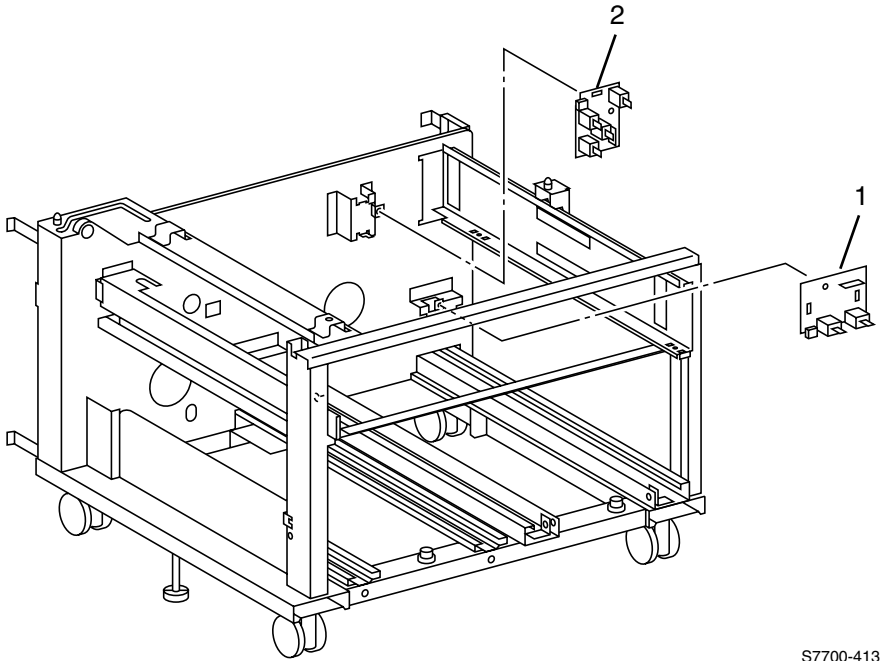
S7700-075

Figure 8-27 High-Capacity Feeder FRUs (cont'd.)

Table 8-27 High-Capacity Feeder FRUs List (cont'd.)

Parts	Part number	Qty	Name and description (vendor description)
1	116-1160-00	2	Paper feeder assembly (Feeder Assembly)
2	116-1173-00	1	Chute assembly FO-HCF (Chute Assembly Inlet)
3	116-1167-00	1	Chute, lower, HFC (Chute - Lower)

PL 8-28 High-Capacity Feeder FRUs (cont'd.)



S7700-413

Figure 8-28 High-Capacity Feeder FRUs (cont'd.)

Table 8-28 High-Capacity Feeder FRUs List (cont'd.)

Parts	Part number	Qty	Name and description (vendor description)
1	116-1127-00	2	HCF Paper-SelectPaper-Select switch assembly (Switch Assembly PS)
2	116-1126-00	1	Switch Assy, Paper-Select

PL 8-29 High-Capacity Feeder FRUs (cont'd.)

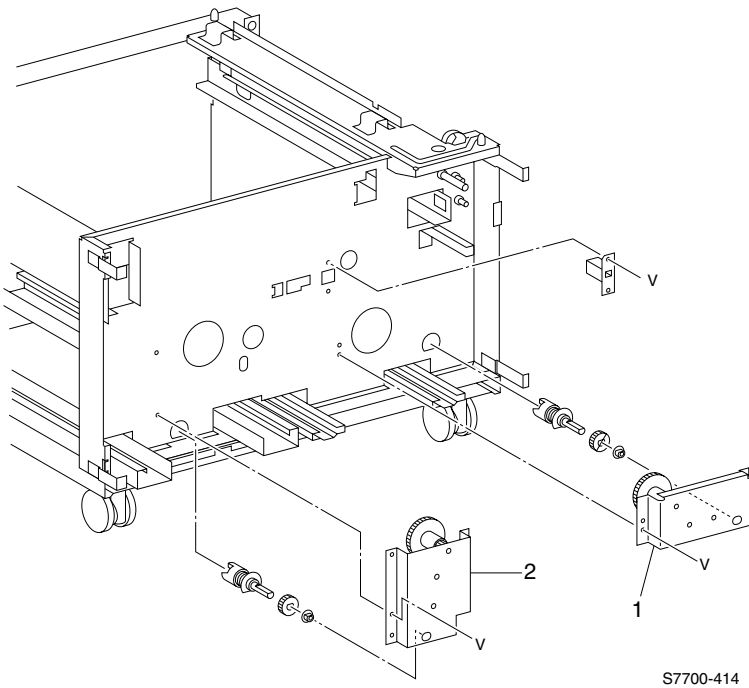


Figure 8-29 High-Capacity Feeder FRUs (cont'd.)

Table 8-29 High-Capacity Feeder FRUs (cont'd.)

Parts	Part number	Qty	Name and description (vendor description)
1	116-1171-00	1	Bracket assembly, gear LH (HFC)
2	116-1170-00	1	Bracket assembly, gear RH (HFC)

Kits

Table 8-30 Kits

Parts	Part number	Qty	Name and description (vendor description)
	116-1210-00	1	Sensor flag kit (Sensor Actuator)
		1	Actuator (120E11971)
		1	Actuator-snr (120E18141)
		1	Actuator-snr (120E18160)
	116-1211-00	1	Tray roller kit (Roll Assembly Kit)
		3	Pick, nudge, retard rollers (22K56820)
	116-1212-00	1	MPT Pick roller kit (Roll Assembly Kit)
	116-1299-00	1	Sensor kit (Sensor Kit DBP) Photo sensor (130E82190) Sensor-trn, full (130E91010) Sensor Assembly-edge, A (130K60830) Sensor Assembly (130K60851) Sensor Assembly, ATC (130K61281) Sensor Assembly-T/A (130K61510)
	116-1300-00	1	Hardware
		2	Screw: (26E17890)
		3	Screw: (113W20657)
		4	Screw: (153W17855)
		6	Screw: (158W27655)
		3	Screw: (158W27663)
		3	Screw: (158W27855)
		4	Screw: (158W27863)
		4	e-clip: (354W21251)
	065-0592-00	1	Repackaging kit
	065-0601-00	1	Internal repackaging kit

Manual Packs & Service Manual

Table 8-31 Manual Packs/Service Manual

Part number	Qty	Name and description
061-4413-00	1	Manual Pack; English
061-4414-00	1	Manual Pack; French
061-4415-00	1	Manual Pack; Spanish
061-4416-00	1	Manual Pack; Brazilian/Portuguese
061-4430-00	1	Manual Pack; Italian
061-4431-00	1	Manual Pack; German
061-4432-00	1	Manual Pack; Simplified Chinese
061-4433-00	1	Manual Pack; Traditional Chinese
061-4434-00	1	Manual Pack; Russian
061-4435-00	1	Manual Pack; Dutch
061-4436-00	1	Manual Pack; Swedish
061-4437-00	1	Manual Pack; Danish
061-4438-00	1	Manual Pack; Norwegian
061-4439-00	1	Manual Pack; Finnish
061-4440-00	1	Manual Pack; Czech
061-4441-00	1	Manual Pack; Hungarian
061-4442-00	1	Manual Pack; Polish
061-4444-00	1	Manual Pack; Korean
061-4445-00	1	Manual Pack; International English
061-4448-00	1	Manual Pack; Japanese
071-0860-00	1	Phaser 7700 Service Quick Reference Guide

Software

Table 8-32 Software

Part number	Qty	Name and description
063-3405-00	1	CD, drivers & utilities; English
063-3406-00	1	CD, drivers & utilities; Traditional English
063-3407-00	1	CD, printer management
063-3404-00	1	PhaserMatch software

Supplies and accessories

When the control panel notifies you that a supply is low or needs to be replaced, make certain you have replacements on hand. To order supplies and accessories, contact your local dealer or visit the Xerox website:

www.xerox.com/officeprinting/supplies/.

Table 8-33 Supplies

Part number	Supply Item	Qty	Name / description
016-1886-00	Customer-Replaceable Consumable (CRC)	1	Print cartridge
016-1883-00	Customer-Replaceable Consumable (CRC)	4	Print cartridge Kit
016-1890-00	Customer-Replaceable Unit	1	Transfer roller
116-1094-00	Customer-Replaceable Unit	1	Belt cleaner assembly
016-1889-00	Customer-Replaceable Unit	1	Accumulator Belt
016-1882-00	Standard Toner Cartridge (CRC)	1	Black
016-1879-00	Standard Toner Cartridge (CRC)	1	Cyan
016-1880-00	Standard Toner Cartridge (CRC)	1	Magenta
016-1881-00	Standard Toner Cartridge (CRC)	1	Yellow
016-1947-00	Hi-capacity Toner Cartridge (CRC)	1	Black
016-1944-00	Hi-capacity Toner Cartridge (CRC)	1	Cyan
016-1945-00	Hi-capacity Toner Cartridge (CRC)	1	Magenta
016-1946-00	Hi-capacity Toner Cartridge (CRC)	1	Yellow
016-1891-00	Customer-Replaceable Consumable	1	Waste toner cartridge
016-1222-00	Customer-Replaceable Consumable	1	Staple pack
016-1887-00	Customer-Replaceable Consumable	1	Fuser 110V
016-1888-00	Customer-Replaceable Consumable	1	Fuser 220V

Table 8-34 Accessories

Part number	Accessories	Qty	Name / description
ZMC128/A	128 Mbytes RAM	N/A	Additional Memory
ZMC256/A	256 Mbytes RAM	N/A	Additional Memory
116-1091-00	Trays 1 ~ 4	N/A	Universal Tray
7700TD/A	Lower Tray Deck	N/A	Includes three Universal trays.
7700HCF/A	High-Capacity Feeder	N/A	Includes one Universal tray and two High-Capacity Letter/A4 trays.
7700FNS/A	Finisher	N/A	Includes one Finisher Output Tray and staplers.
ZCARTC/A	Printer Cart	N/A	Available for printers without a Lower Tray Deck or High-Capacity Feeder.

Recommended Service Tools

The following service are recommended as a start for servicing the printer. As additional tools are needed visit the following URL for help:
<http://cpid.opbu.xerox.com/hardwaretools.html>.

Table 8-35 Recommended Tools List

Part Number	Description
003-0293-00	Driver, Magnetic 0.25" drive (no bits), 8" shank
003-0335-00	Tip, #1 Philips Bit, 0.25" drive
003-0336-00	Tip, #2 Philips Bit, 0.25" drive
640600 Mag 27020	Tip, 2.5 mm Hex Bit, 0.25" drive
600T2123	Hex Nutdriver, 5.5 mm (magnetic)