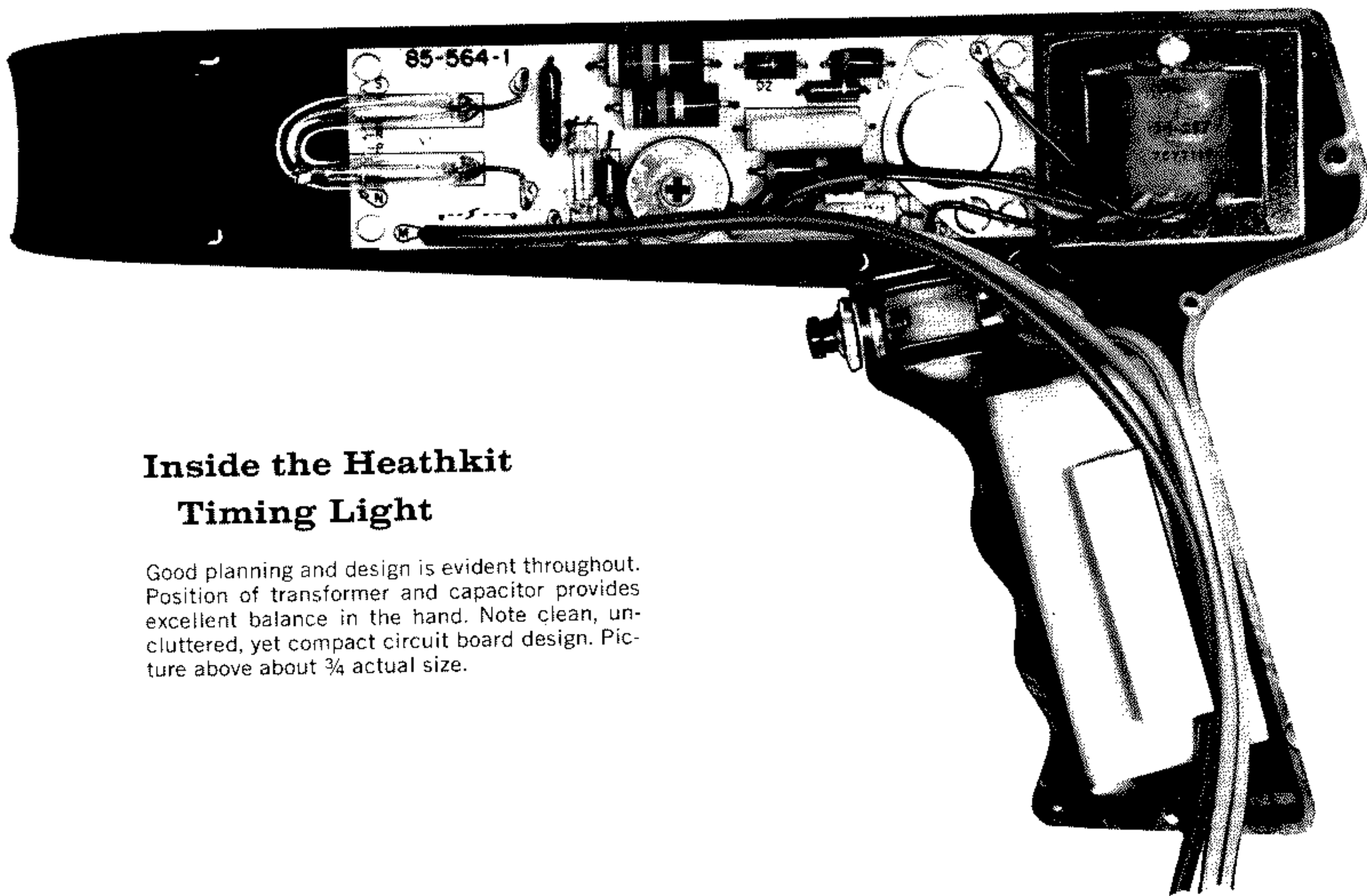


* ITEMS NOT ON CIRCUIT BOARD

SCHEMATIC OF THE
HEATHKIT[®]
TIMING LIGHT
MODEL CI-1020

NOTES TO SCHEMATIC

1. RESISTOR VALUES ARE IN OHMS (K=1000). RESISTORS ARE 1/2 WATT UNLESS OTHERWISE SPECIFIED.
2. ALL CAPACITORS ARE IN μ F.
3. □ THIS SYMBOL INDICATES CONNECTION TO CIRCUIT BOARD.



Inside the Heathkit Timing Light

Good planning and design is evident throughout. Position of transformer and capacitor provides excellent balance in the hand. Note clean, uncluttered, yet compact circuit board design. Picture above about 3/4 actual size.