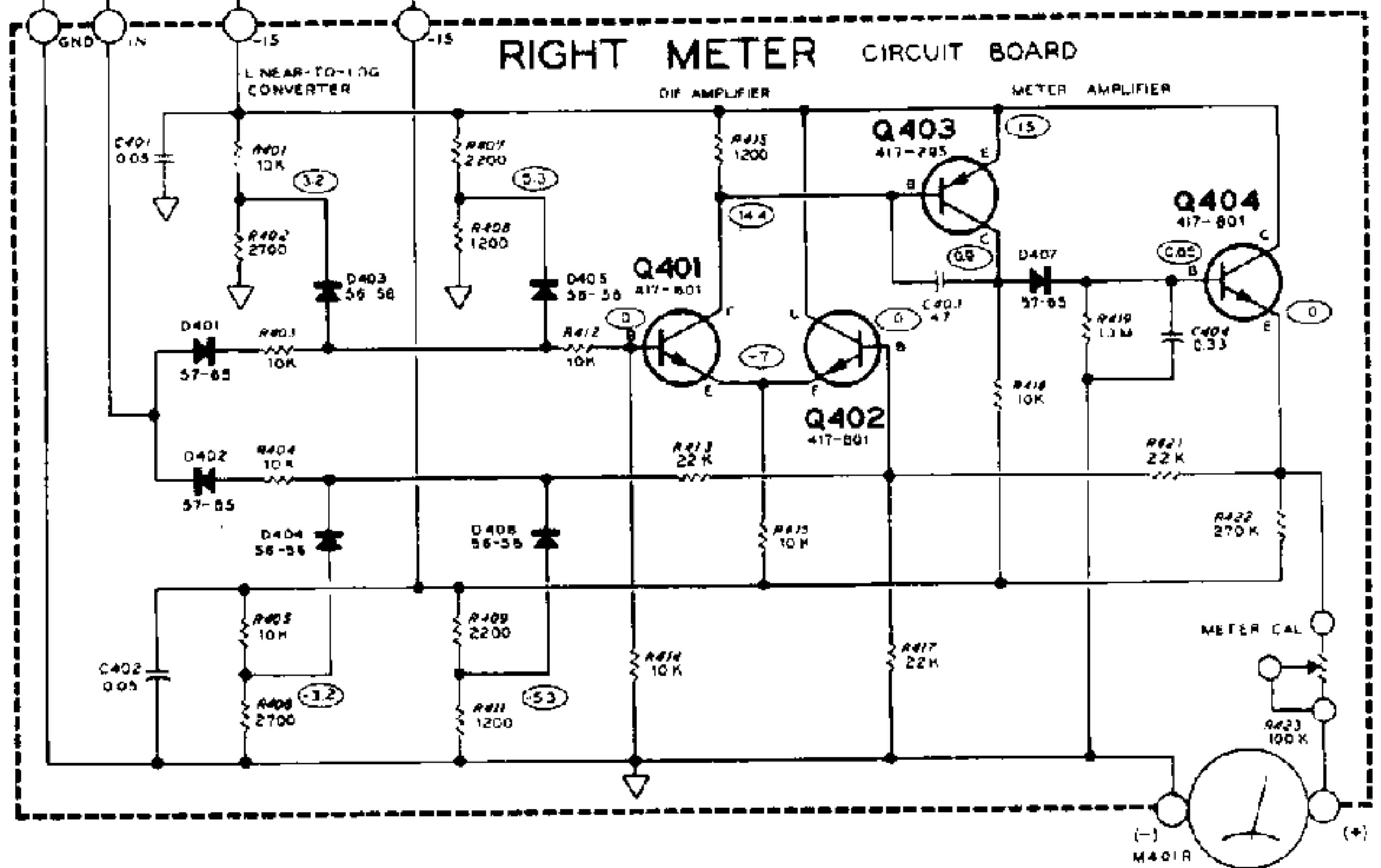
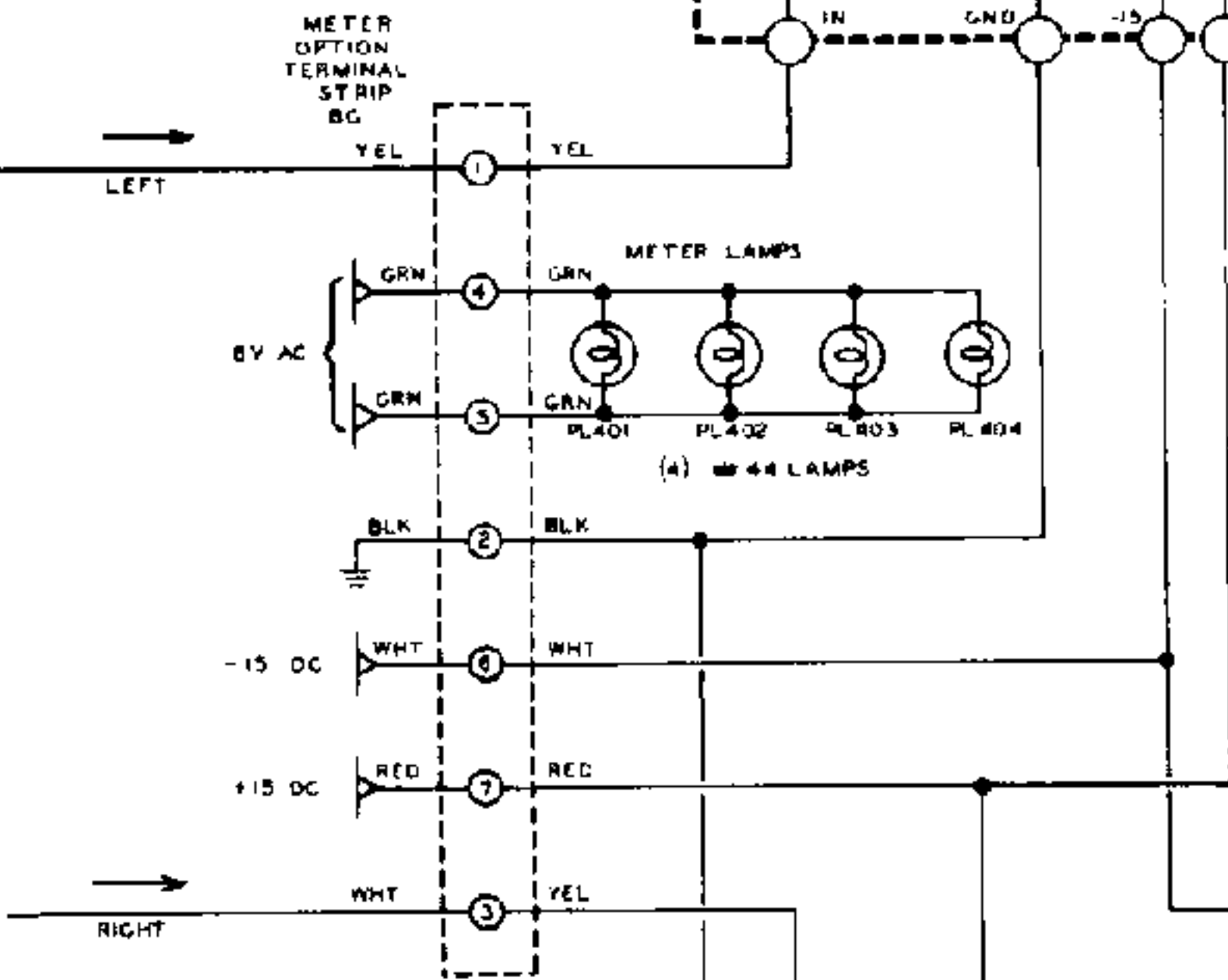
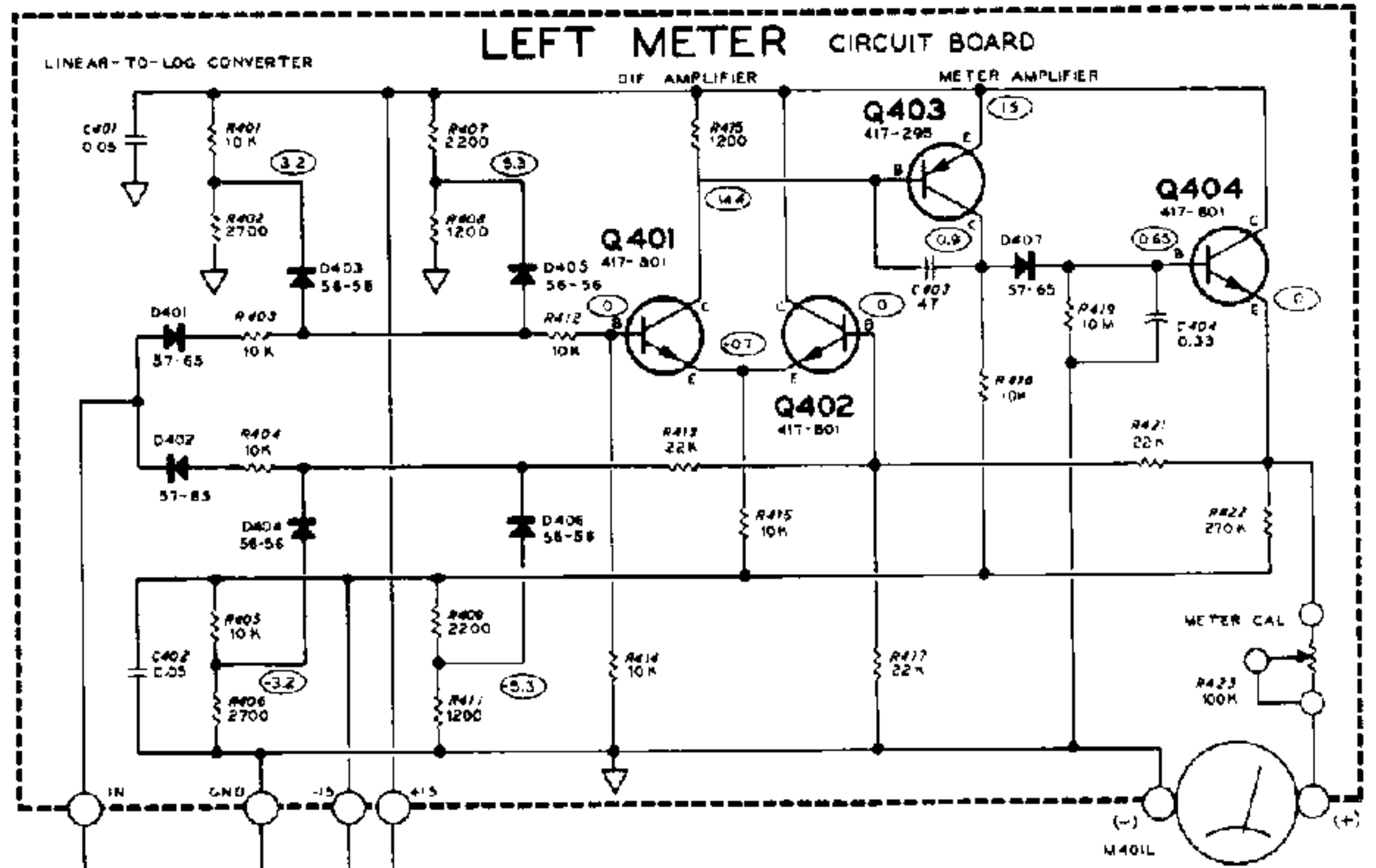
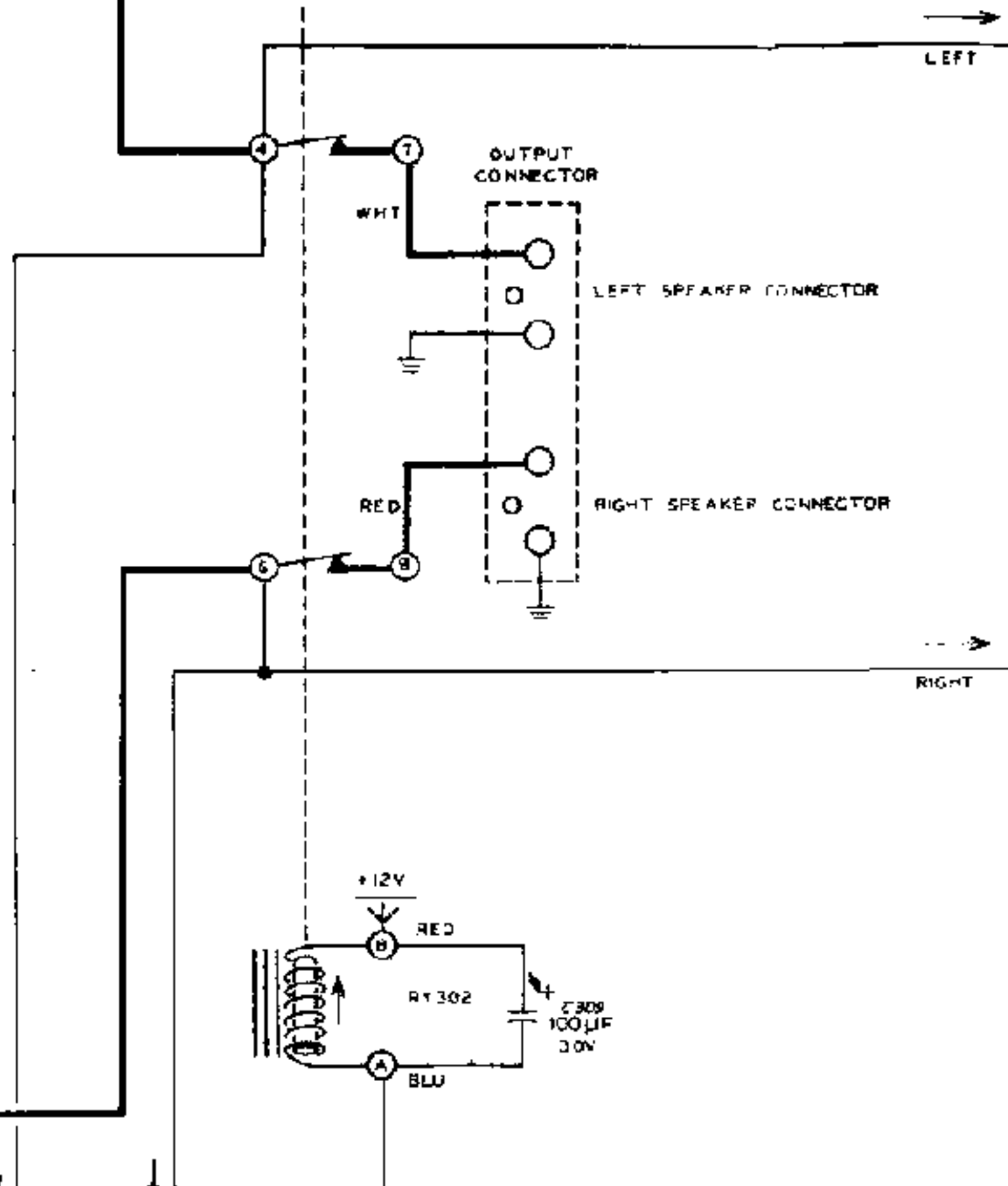
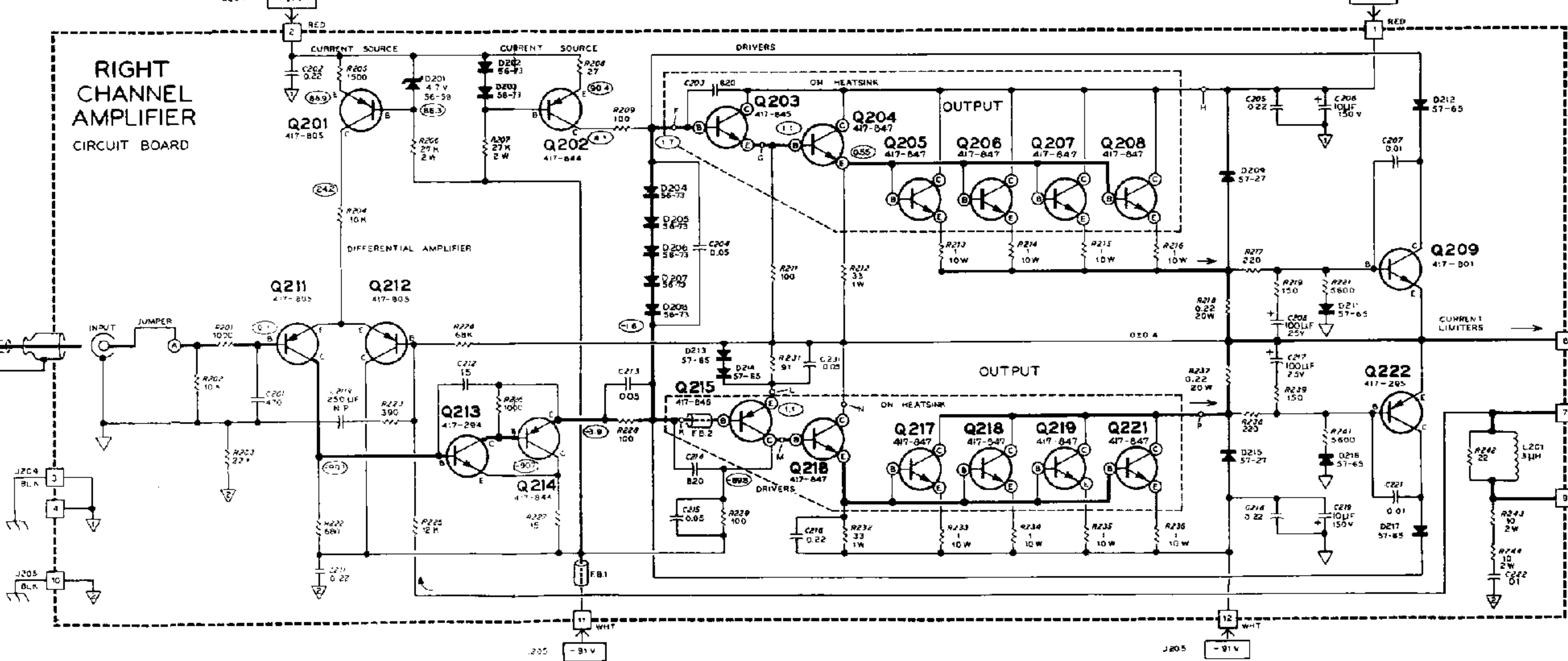


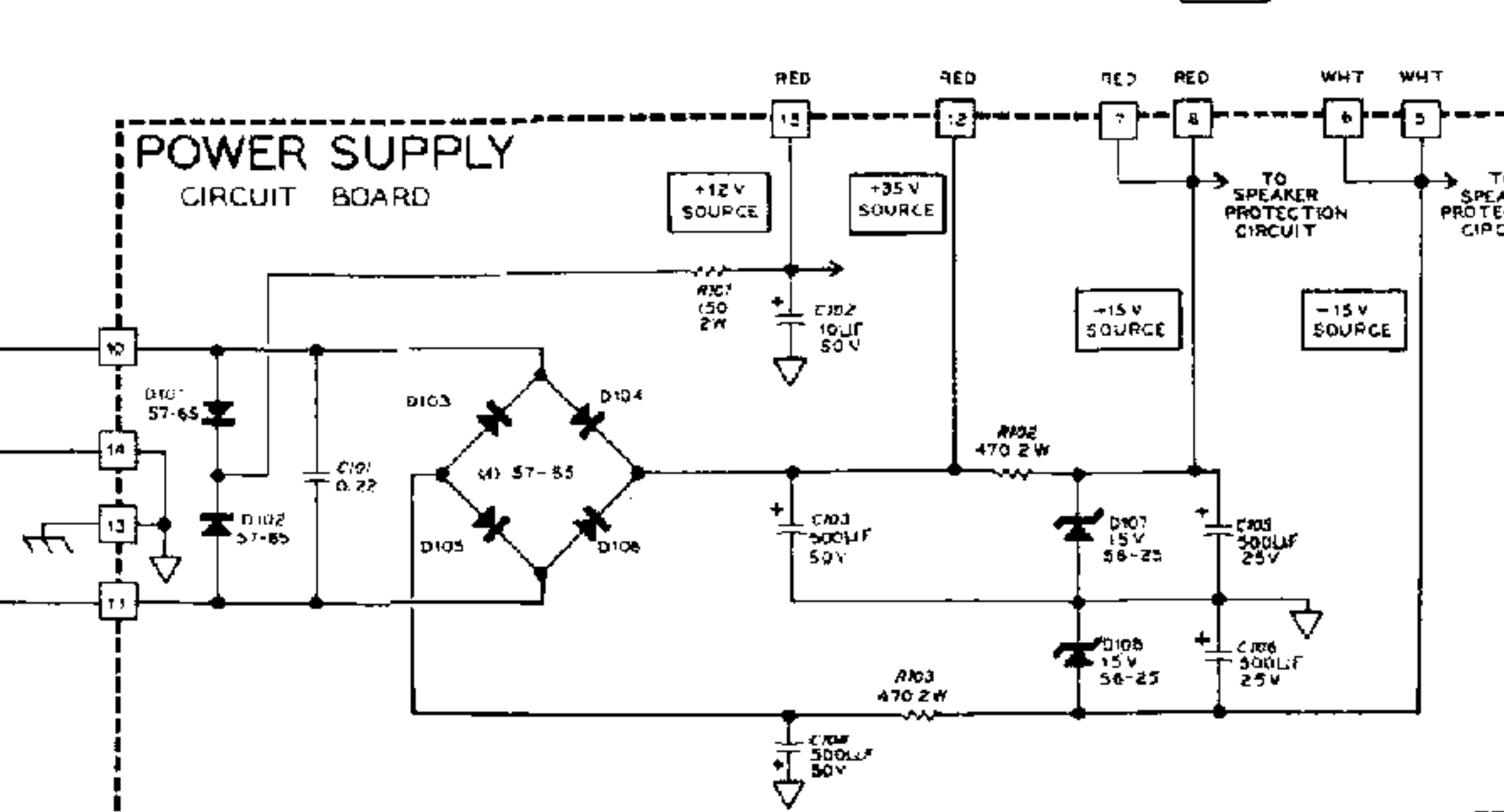
# METER ACCESSORY MODEL AAA-1640-1 (OPTIONAL)



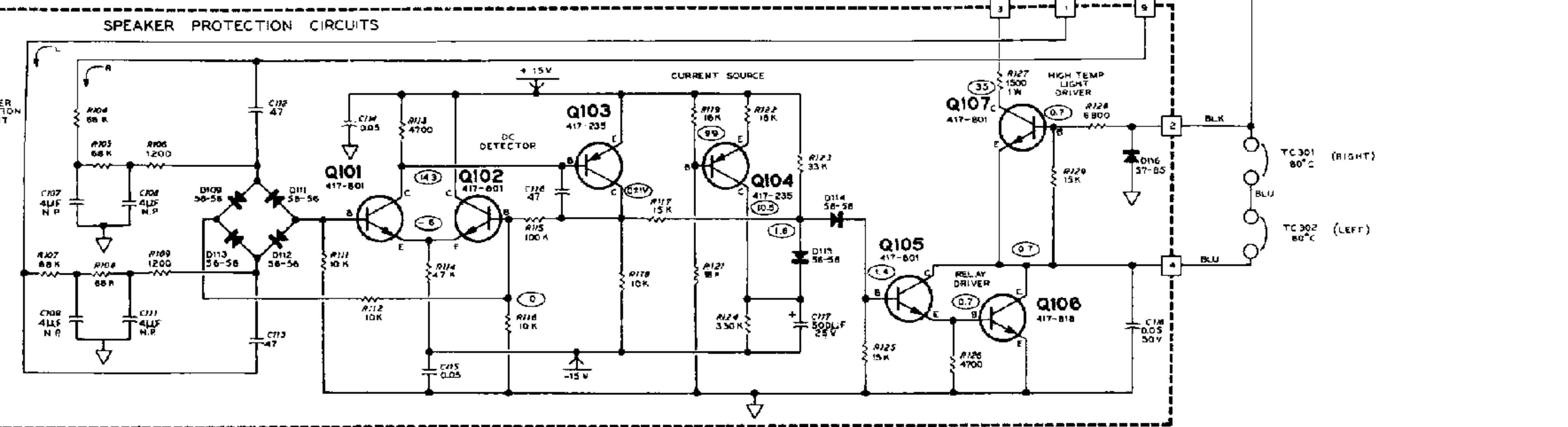
**RIGHT CHANNEL AMPLIFIER**  
CIRCUIT BOARD



**POWER SUPPLY**  
CIRCUIT BOARD



**SPEAKER PROTECTION CIRCUITS**



TC301 80°C (RIGHT)  
TC302 80°C (LEFT)

