



7CPI

# OSCILLOGRAPH TUBE

ELECTROSTATIC FOCUS, MAGNETIC DEFLECTION

7CPI

### General:

Heater, for Unipotential Cathode:

Voltage . . . . . 6.3 ± 10% . . . . . ac or dc volts  
Current . . . . . 0.6 . . . . . amp

Direct Interelectrode Capacitances (Approx.):

Grid No.1 to All Other Electrodes . . . . . 8.0 . . . . . μf  
Cathode to All Other Electrodes . . . . . 6.5 . . . . . μf

Phosphor (For Curves, see front of this Section) . . . . . No.1

Fluorescence . . . . . Green  
Persistence . . . . . Medium

Focusing Method . . . . . Electrostatic

Deflection Method . . . . . Magnetic

Solid Deflection Angle (Approx.) . . . . . 57°

Overall Length . . . . . 13-7/16" ± 3/8"

Greatest Diameter of Bulb . . . . . 7" ± 1/8"

Minimum Useful Screen Diameter . . . . . 6-1/2"

Cap. . . . . Recessed Small Ball

Mounting Position . . . . . Any

Base . . . . . Long Medium-Shell Octal 8-Pin

Basing Designation for BOTTOM VIEW . . . . . 6AZ

Pin 1 - No Connection

Pin 2 - Anode No.1

Pin 3 - No Connection

Pin 4 - Grid No.2

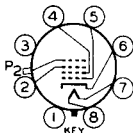
Pin 5 - Grid No.1

Pin 6 - Cathode

Pin 7 - Heater

Pin 8 - Heater

Cap - Anode No.2



### Maximum Ratings, Design-Center Values:

ANODE-No.2 VOLTAGE . . . . . 8000 max. volts

ANODE-No.1 VOLTAGE . . . . . 2400 max. volts

GRID-No.2 VOLTAGE . . . . . 300 max. volts

GRID-No.1 VOLTAGE:

Negative bias value . . . . . 125 max. volts

Positive bias value . . . . . 2 max. volts

PEAK HEATER-CATHODE VOLTAGE:

Heater negative with respect to cathode. 125 max. volts

Heater positive with respect to cathode. 125 max. volts

### Typical Operation:

Anode-No.2 Voltage\* . . . . . 4000 7000 . . volts

Anode-No.1 Voltage for

Focus at 75% of Grid-No.1

Voltage for Cutoff<sup>o</sup> . . . . . 780 1365 . . volts

Grid-No.2 Voltage . . . . . 250 250 . . volts

Grid-No.1 Voltage for

Visual Cutoff\*\* . . . . . -45 -45 . . volts

\* , <sup>o</sup> , \*\* : See next page.

7CPI



7CPI

## OSCILLOGRAPH TUBE

- \* Brilliance and definition decrease with decreasing anode-No.2 voltage. In general, the anode-No.2 voltage should not be less than 4000 volts.
- o Individual tubes may require between -30% and +20% of the values shown with grid-No.1 voltages between zero and cutoff.
- \*\* Visual extinction of undeflected focused spot. Supply should be adjustable to +50% of indicated value.

### Maximum Circuit Values:

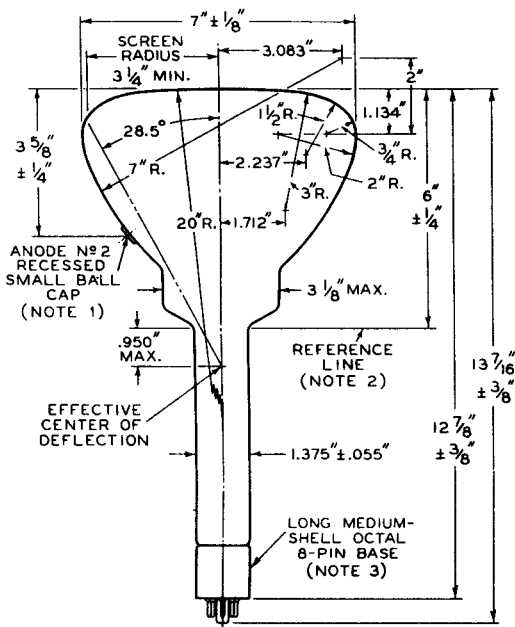
Grid-No.1-Circuit Resistance. . . . . 1.5 max. megohms



7CPI

7CPI

# OSCILLOGRAPH TUBE



**NOTE 1:** THE PLANE THROUGH THE TUBE AXIS AND PIN No. 2 MAY VARY FROM THE PLANE THROUGH THE TUBE AXIS AND ANODE No. 2 TERMINAL BY AN ANGULAR TOLERANCE (MEASURED ABOUT THE TUBE AXIS) OF 10°. ANODE No. 2 TERMINAL IS ON SAME SIDE OF TUBE AS PIN No. 2.

**NOTE 2:** REFERENCE LINE IS DETERMINED BY POSITION WHERE GAUGE 1.430" + .003" - .000" I. D. AND 2" LONG WILL REST ON BULB CONE.

**NOTE 3:**  $\phi$  OF BULB WILL NOT DEVIATE MORE THAN 2° IN ANY DIRECTION FROM THE PERPENDICULAR ERECTED AT THE CENTER OF THE BOTTOM OF THE BASE.

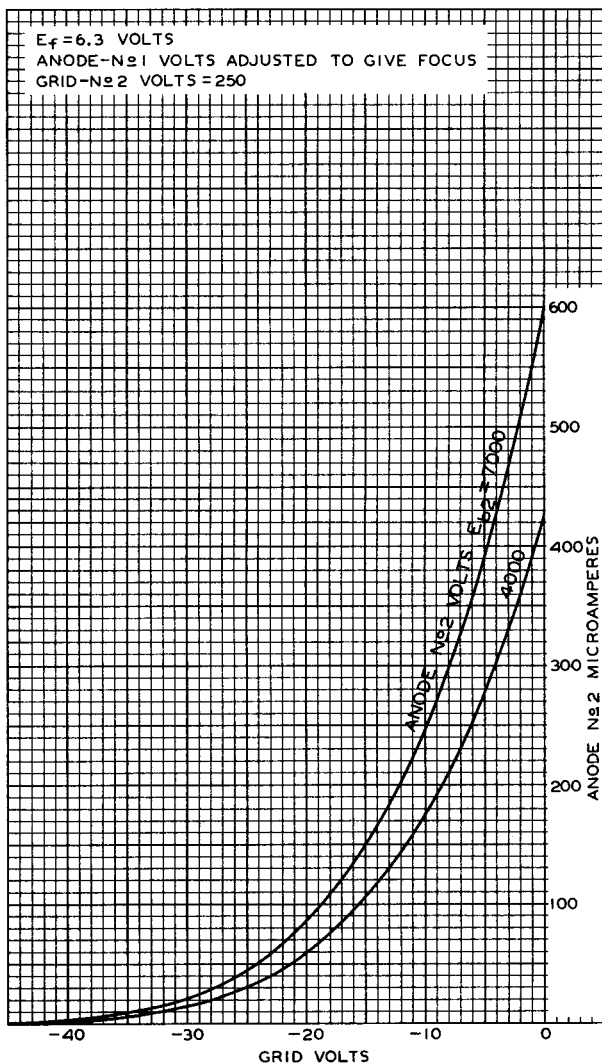
92CM-6364R2

7CPI



7CPI

## AVERAGE CHARACTERISTICS



AUG. 23, 1946

 TUBE DEPARTMENT  
 RADIO CORPORATION OF AMERICA, HARRISON, NEW JERSEY

92C-6424