

MN3004

512-STAGE LOW NOISE BBD

General Description

The MN3004 is a 512-stage high performance low noise BBD that provides a 85dB of signal to noise ratio (S/N) by increasing a capacity of capacitors with the same chip area, which is enabled by the improvement of silicon materials and process. There are many features for this device such as low insertion loss and no back gate bias voltage V_{BB} , etc.

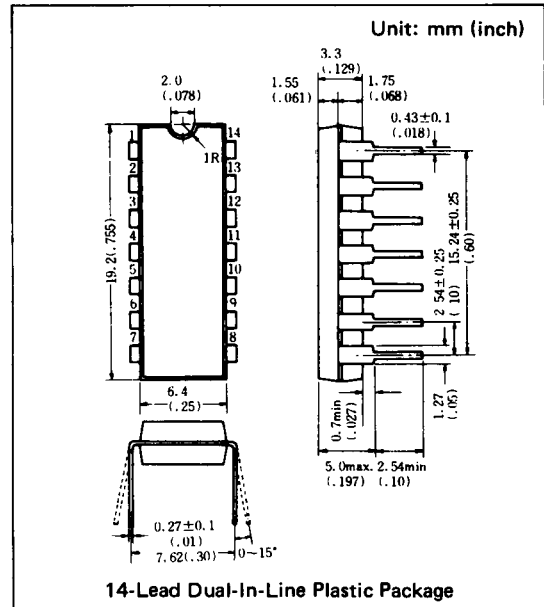
The MN3004 can delay analog signal of the audio band in the range of 2.56ms ~ 25.6ms by adjusting a clock frequency.

Features

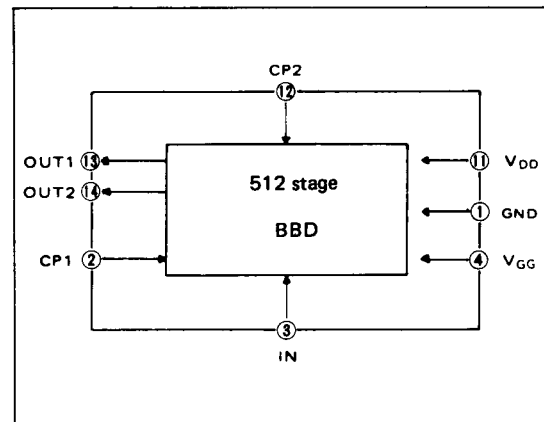
- Variable delay of audio signal: 2.56ms ~ 25.6ms
- Clock component cancellation capability.
- Low insertion loss: $L_i = 1/5\text{dB typ.}$
- Wide dynamic range: $S/N \simeq 85\text{dB typ.}$
- Wide frequency response: $f_i \leq 0.3 \times f_{CP}$
- Clock frequency range: 10 ~ 100KHz
- Low noise: $V_{NO} = 0.21\text{mVrms max.}$
- Low distortion: THD = 0.4% typ.

Applications

- Variable playback speed of tape recorder.
- Reverberation and echo effects of audio equipments such as stereo.
- Tremolo, vibrato and chorus effects in electronic musical instruments.
- Variable or fixed delay of analog signals.
- Telephone time compression and delay line for voice communication systems.
- Others.



Block Diagram



Quick Reference Data

Item	Symbol	Value	Unit
Supply Voltage	V_{DD}, V_{GG}	-15, $V_{DD} + 1$	V
Signal Delay Time	t_D	2.56~25.6	ms
Total Harmonic Distortion	THD	0.4	%
Signal to Noise Ratio	S/N	85	dB

■ Absolute Maximum Ratings (Ta = 25°C)

Item	Symbol	Ratings	Unit
Terminal Voltage	$V_{DD}, V_{GG}, V_{CP}, V_i$	-18~+0.3	V
Output Voltage	V_o	-18~+0.3	V
Operating Temperature	T_{opr}	-20~+60	°C
Storage Temperature	T_{stg}	-55~+125	°C

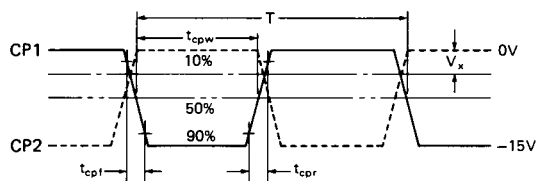
■ Operating Conditions (Ta = 25°C)

Item	Symbol	Condition	Min.	Typ.	Max.	Unit
Drain Supply Voltage	V_{DD}		-14	-15	-16	V
Gate Supply Voltage	V_{GG}			$V_{DD} + 1$		V
Clock Voltage "H" Level	V_{CPH}		0		-1	V
Clock Voltage "L" Level	V_{CPL}			V_{DD}		V
Clock Input Capacitance	C_{CP}				350	pF
Clock Frequency	f_{CP}		10		100	kHz
Clock Pulse Width *1	t_{CPW}				$0.5T^{*2}$	
Clock Rise Time *1	t_{CPR}				500	ns
Clock Fall Time *1	t_{CPF}				500	ns
Clock Cross Point	V_x		0		-3	V
Input DC Bias	V_{Bias}		-5		-10	V

■ Electrical Characteristics (Ta = 25°C, $V_{DD} = V_{CPL} = -5V, V_{CPH} = 0V, V_{GG} = -14V, R_L = K\Omega$)

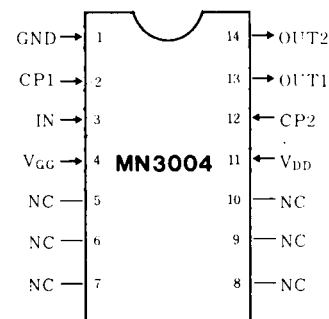
Item	Symbol	Condition	Min.	Typ.	Max.	Unit
Signal Delay Time	t_D		2.56		25.6	ms
Input Signal Frequency	f_i	$f_{CP} = 40kHz, V_i = 1.8V_{rms},$ 3dB down (0 dB at $f_i = 1kHz$)	12			kHz
Input Signal Swing	V_i	$f_{CP} = 40kHz, f_i = 1kHz, THD \leq 2.5\%$	1.8			Vrms
Insertion Loss	L_i	$f_{CP} = 40kHz, f_i = 1kHz, V_i = 1.8V_{rms}$	-4	1.5	4	dB
Total Harmonic Distortion	THD	$f_{CP} = 40kHz, f_i = 1kHz, V_i = 1V_{rms}$		0.4	2.5	%
Noise Voltage	V_{no}	$f_{CP} = 100kHz$ Weighted by "A" curve			0.21	mVrms
Signal to Noise Ratio	S/N			85		dB

*1 Clock Pulse Waveforms



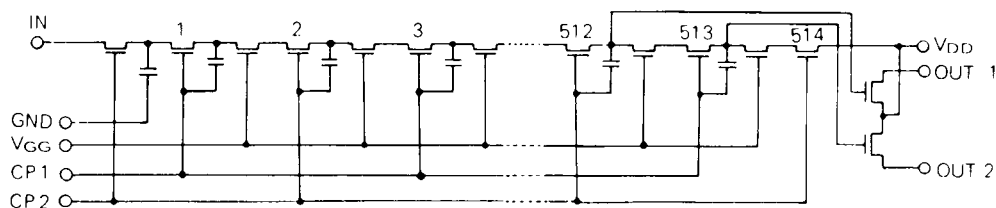
*2 $T = 1/f_{cp}$ (Clock Period)

■ Terminal Assignments

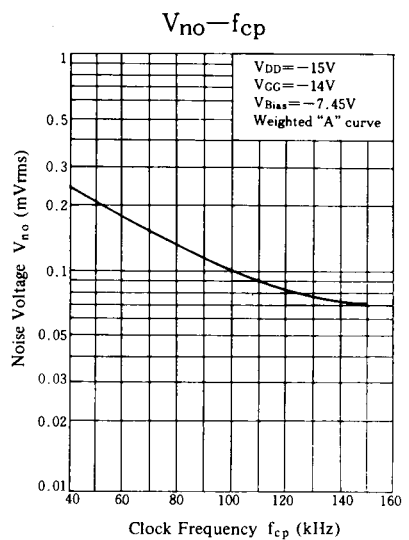
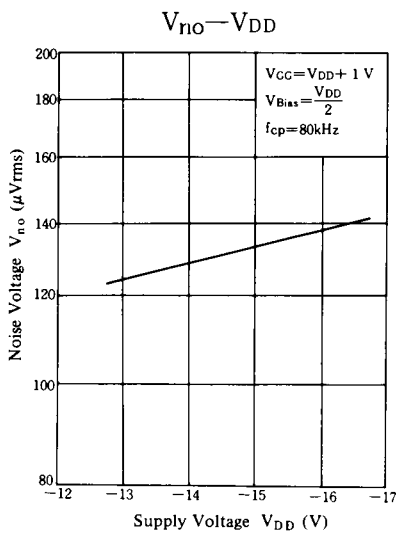
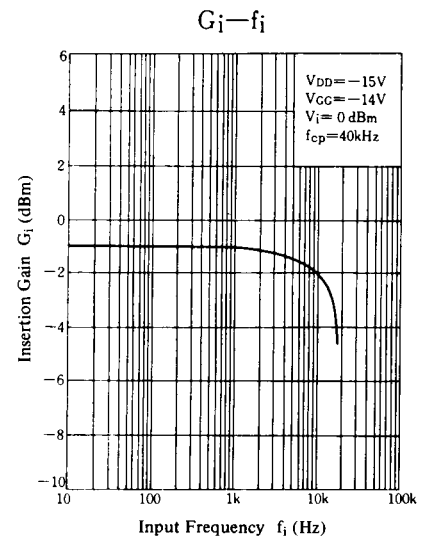
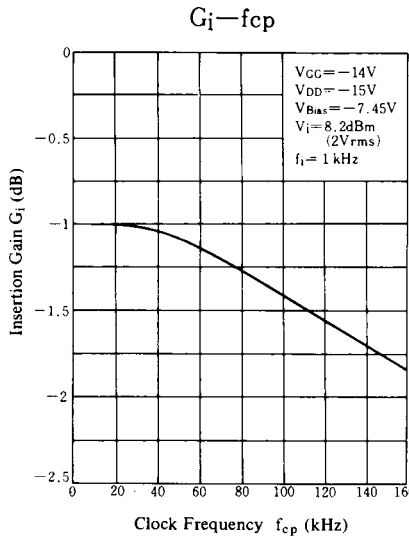
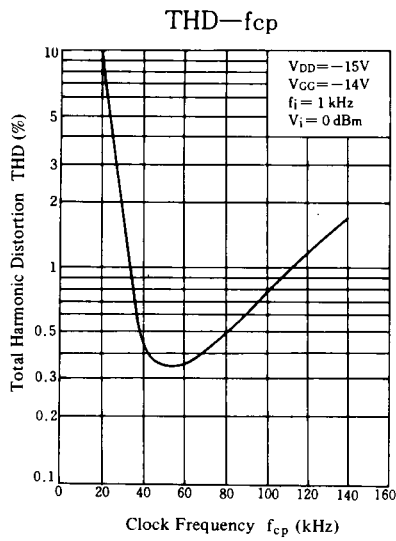
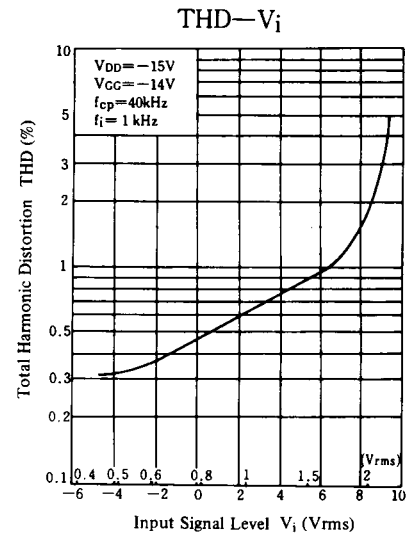
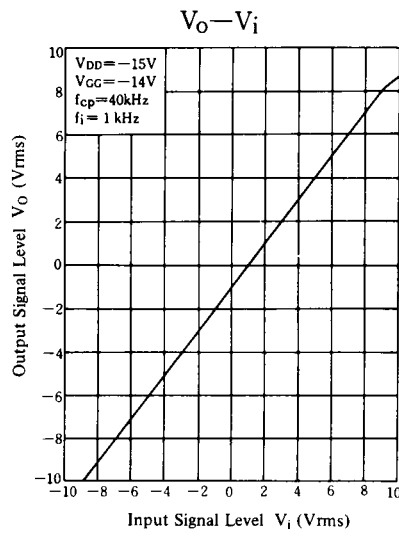
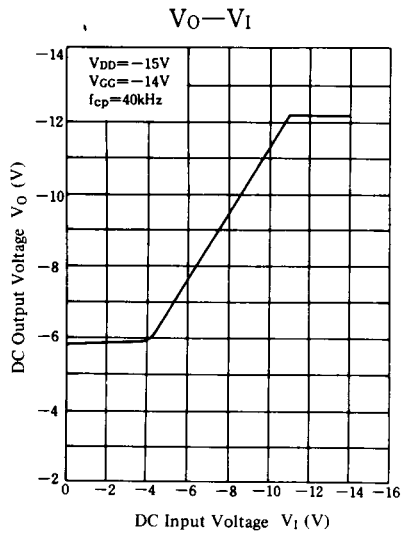


(Top View)

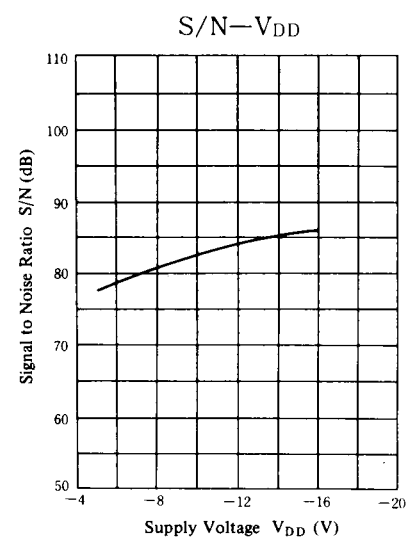
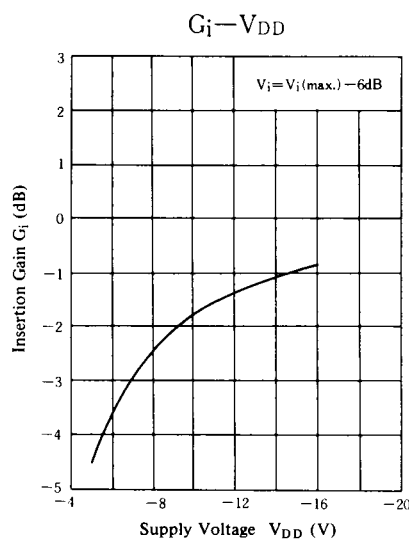
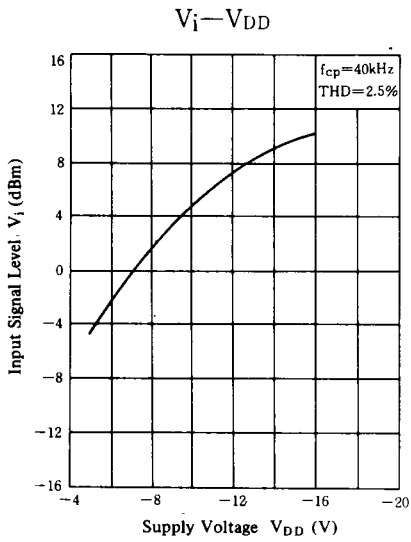
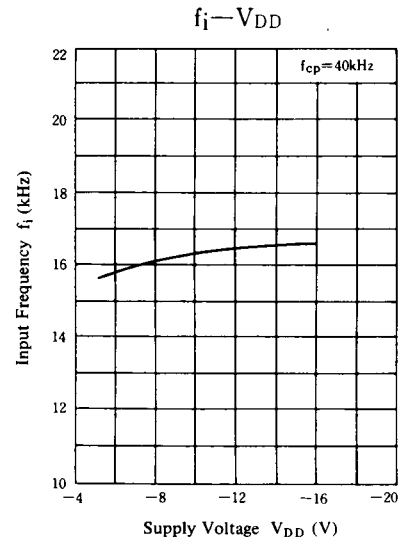
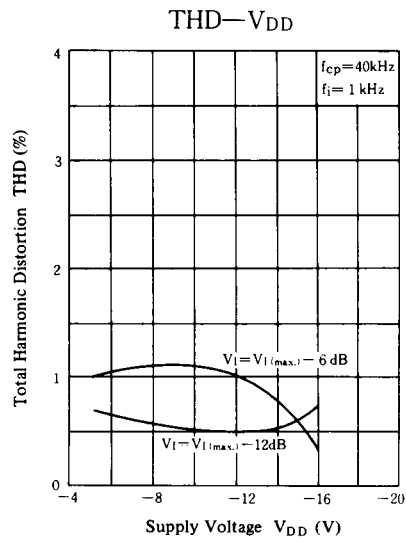
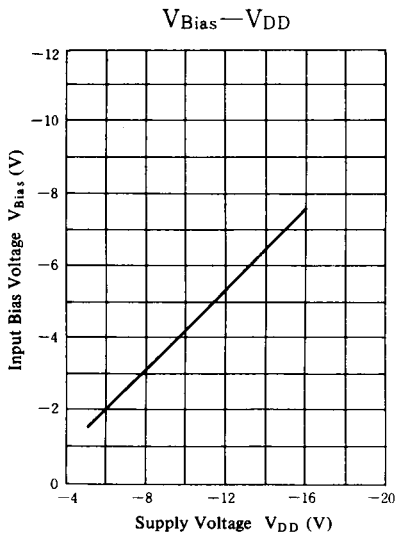
■ Circuit Diagram



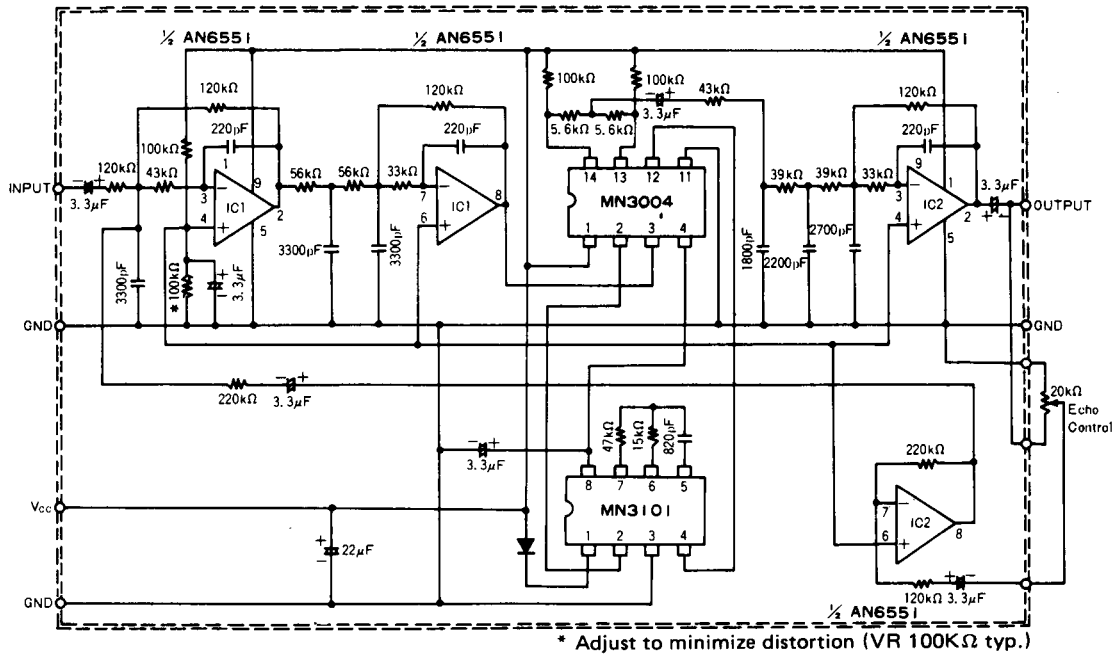
Typical Electrical Characteristic Curves



Supply Voltage Characteristics



■ Application Circuit



Echo Effect Generation Circuit (Signal Delay Over 10msec.)

This datasheet has been download from:

www.datasheetcatalog.com

Datasheets for electronics components.